



Inline and 90° Swivels



Hydraulic Live Swivels

Heavy Duty Ball Bearing, Rebuildable Design

www.SuperSwivels.com

Email: sales@superswivels.com

763-784-5531

Fax: 763-784-7423

Super Swivels®

Super Swivels® was established in 1986. Our goal is to manufacture heavy-duty, leak free, live swivels at a competitive price.

We maintain a large inventory, which allows us to provide exceptional service. Our heat treating process allows us to offer higher working pressure ratings. Super Swivels® are available in several different materials, plating options and a wide variety of seal options.

Super Swivels are used in a wide variety of applications, i.e. hose reels, paint equipment, hydraulic log loaders, automatic car washes, wrecker trucks, horizontal directional drilling, machine tool indexers, hydraulic wheel motors, hot tar applicators, robotics, power line equipment, railroad equipment, and mining equipment, to mention a few.



Visit our web site for an online catalog of Stainless Steel Super Swivels® and those designed for the car wash industry, or contact us for a catalog.

This catalog and individual pages are available to download online as a PDF file. Check our site for updated versions of catalogs and products.

www.SuperSwivels.com
Email: sales@superswivels.com

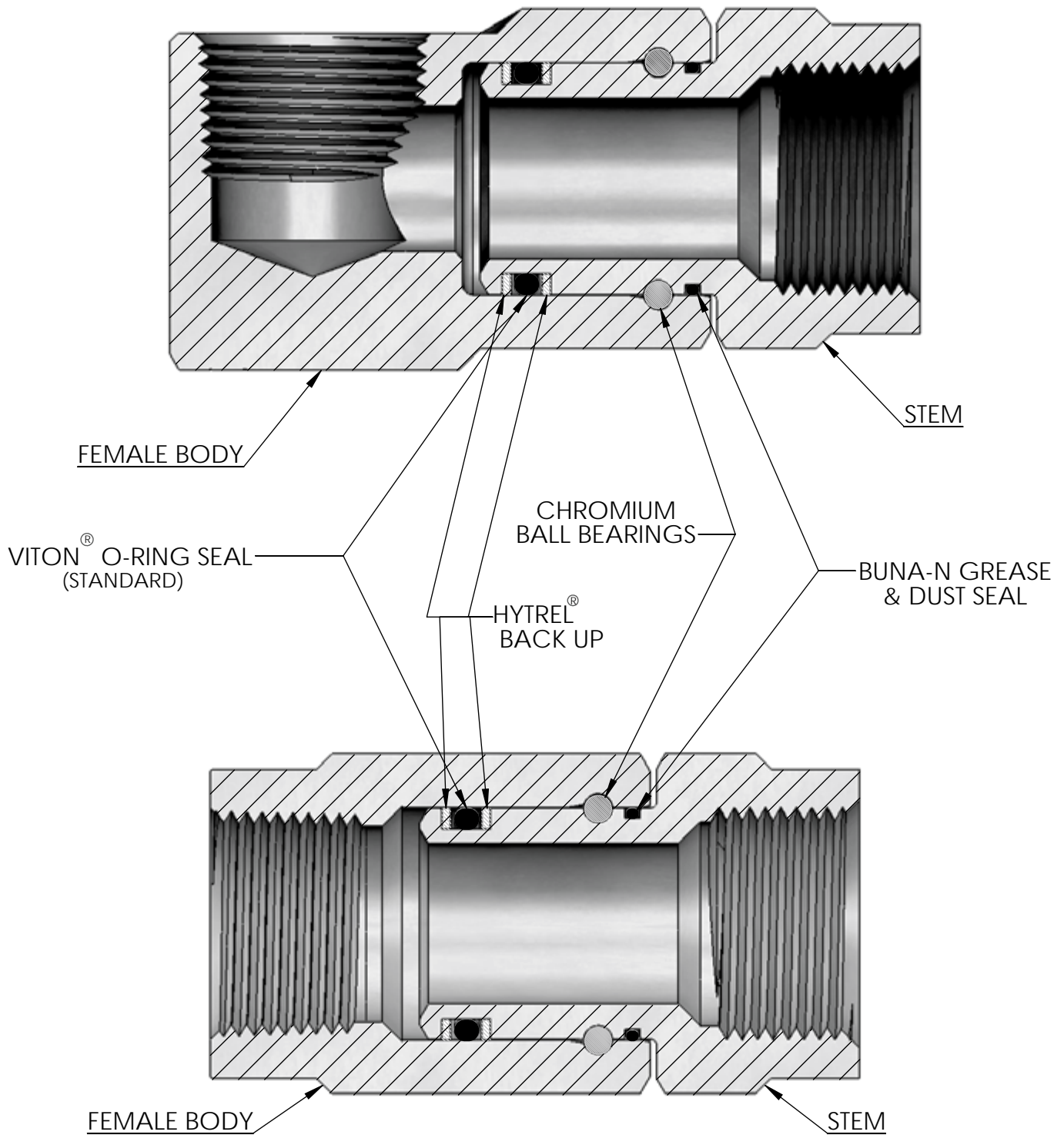
763-784-5531
Fax: **763-784-7423**



Inline And 90° Hydraulic Swivels

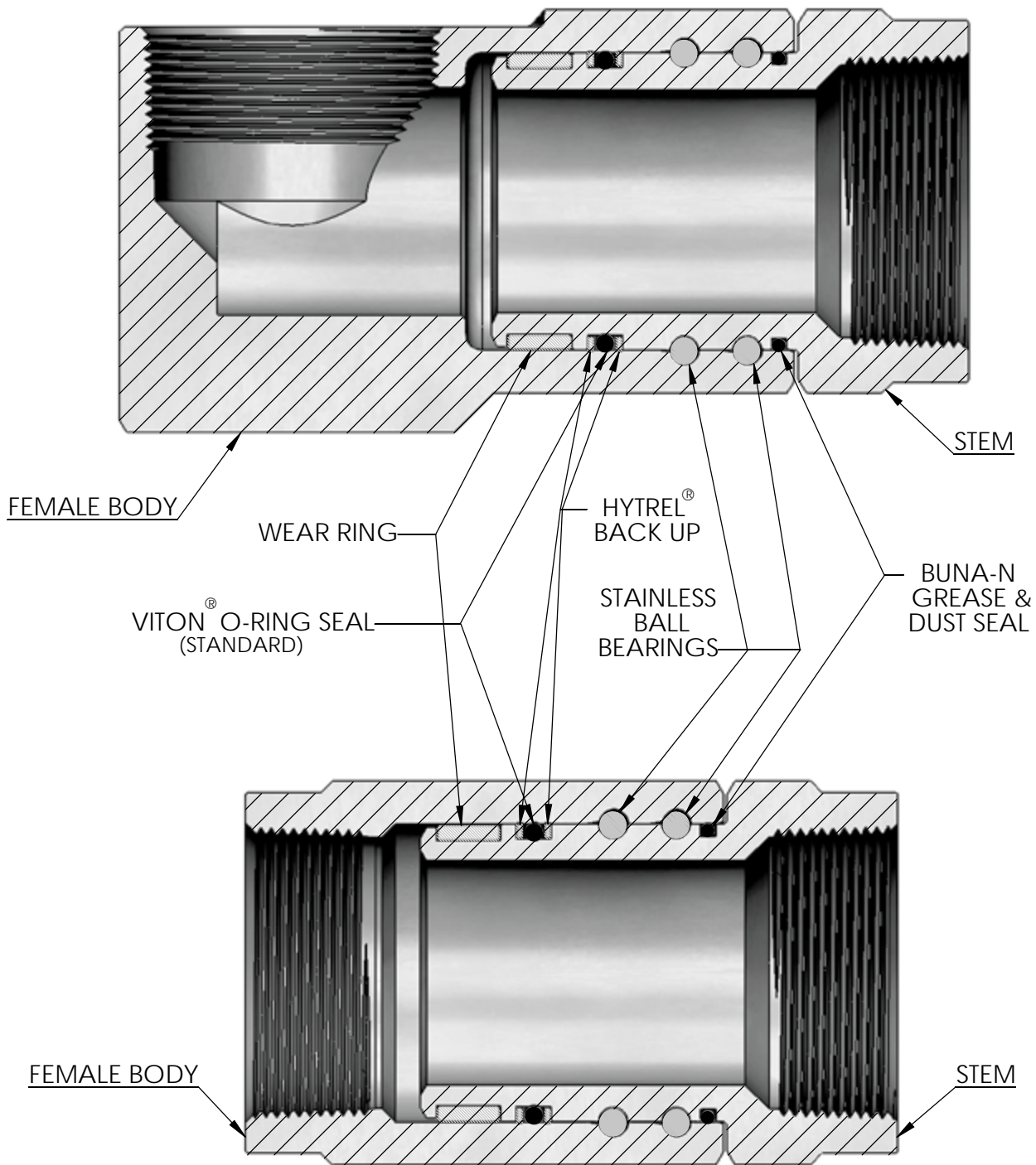
| | |
|---|------------|
| Cross Sectional Drawings | Page 2-5 |
| How To Order | Page 6 |
| Options | Page 7 |
| Seal Compatibility Chart | Page 8 |
| Pressure Drop Charts | Page 9-10 |
| Rotating Torque Verses Pressure Chart | Page 11 |
| R.P.M. Verses P.S.I. Chart | Page 11 |
| Super Swivels' Advantages | Page 12 |
| Inline Swivels | Page 13-21 |
| High Pressure Inline Swivels (10,000 P.S.I.) | Page 22 |
| 90° Swivels | Page 23-42 |
| 90° High Pressure Swivels (10,000 P.S.I.) | Page 43 |
| Dual Plane Swivels..... | Page 44-48 |
| BSPP Inline And 90° Swivels..... | Page 49-51 |
| Rebuilding Kits Item Number | Page 54 |
| Item Number, Part Number Cross Reference Guide | Page 52-63 |
| Seal Rebuilding Kit (List – Page 54) Instructions | Page 64 |
| Warranty | Page 65 |

Cross Sectional Drawings



Zinc Plated for Hydraulic Oil Applications
Sizes 4 through 16

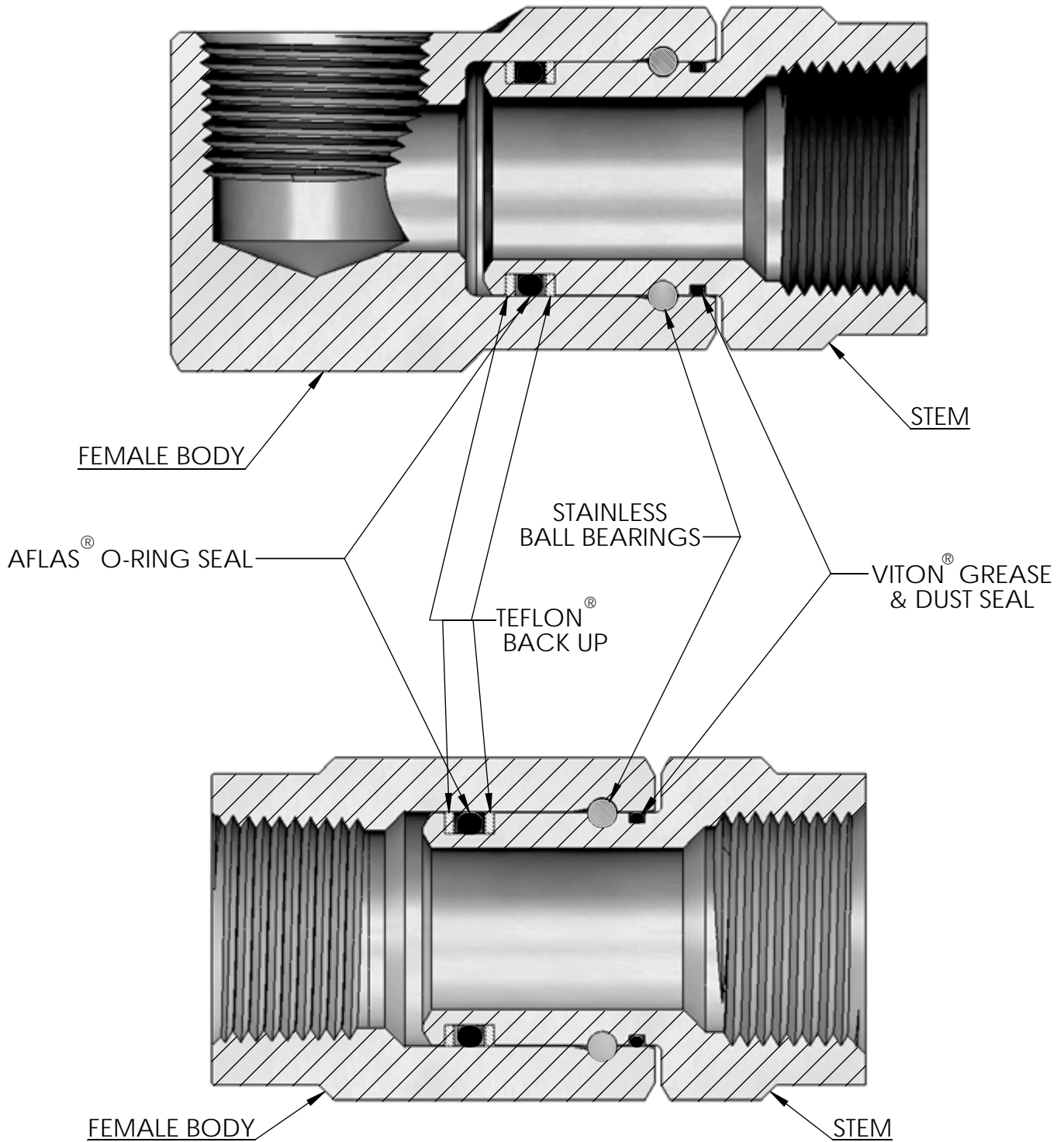
Cross Sectional Drawings



Nickel Plated for Hydraulic Oil Applications Sizes 20 through 40

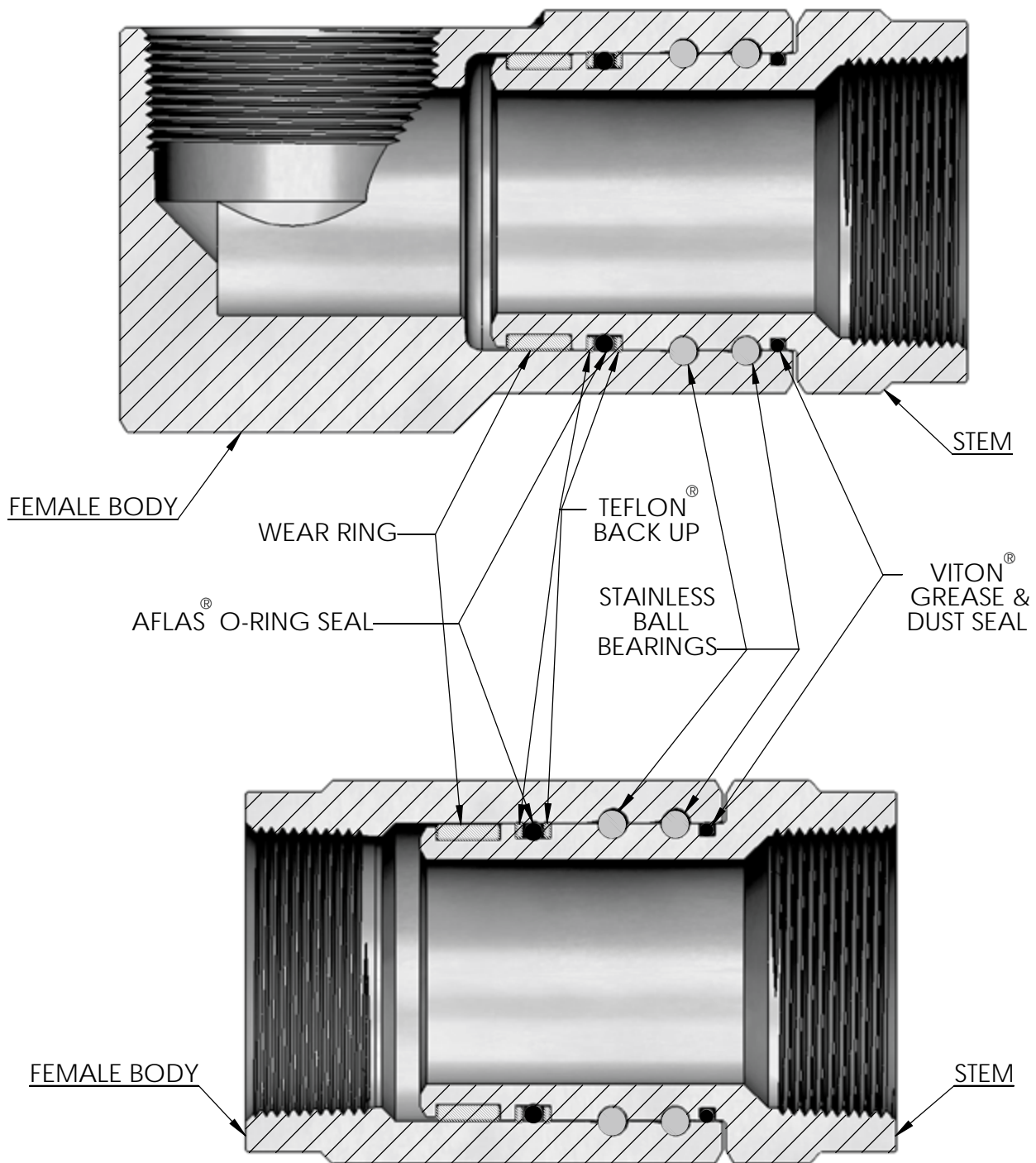
(Size 20 No Wear Ring)
Nickel Plating Standard on Size 24 and Larger

Cross Sectional Drawings



Nickel Plated for Corrosive Media Applications
Sizes 4 through 16

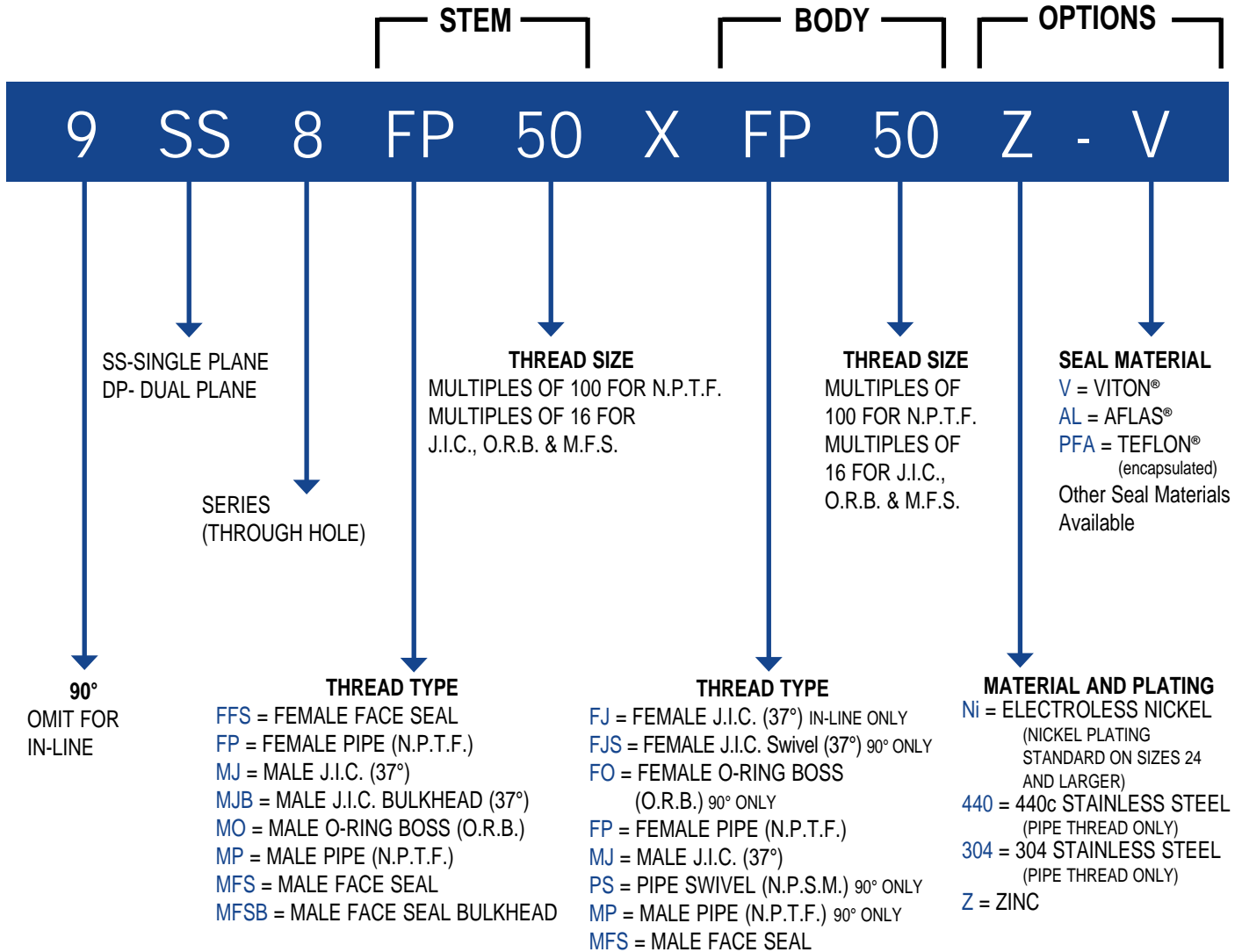
Cross Sectional Drawings



Nickel Plated for Corrosive Media Applications Sizes 20 through 40

(Size 20 No Wear Ring)
Nickel Plating Standard on Size 24 and Larger

HOW TO ORDER



REBUILDING KITS ARE AVAILABLE FOR ALL SWIVELS. SEE PAGE 54.

WHEN ORDERING PLEASE SPECIFY PRESSURE, TYPE OF MEDIA OR OXYGEN USE.

SUPER SWIVELS® ARE NOT RECOMMENDED FOR BREATHING AIR OR STEAM.

ALL SWIVELS HAVE 4 TO 1 PROOF PRESSURE, EXCEPT 10,000 P.S.I. 3 TO 1 PROOF PRESSURE

SUPER SWIVELS® MAY ALSO BE ORDERED BY ITEM NUMBER. SEE PAGES 52-62.

ANY SERIES STEM WILL FIT WITH THE SAME SERIES BODY. THEREFORE THERE ARE MANY COMBINATIONS THAT DO NOT APPEAR IN THIS CATALOG.

CALL, FAX OR E-MAIL YOUR SPECIAL REQUIREMENTS.

Options

Base Material and Plating

Super Swivels are manufactured from Carbon Steel or 304 and 440c Stainless Steel.

Carbon Steel Zinc (Z) Plating is recommended for non-corrosive applications, i.e. hydraulic, pneumatic, etc.

Carbon Steel Nickel (NI) Plating is recommended for mildly corrosive environments, i.e. water, mild chemicals, solvents, etc.

304 Stainless Steel (304) is recommended for low pressure corrosive environments.

440c Stainless Steel (440) is a martensitic, high carbon, magnetic stainless steel, heat-treated to maintain a high-pressure rating. Not as corrosion resistant as 300 Series Stainless Steel.

Seal Material

(V) Viton® (Fluorocarbon) – For most petroleum based applications. (-15°F to 250°F)

(AL) Aflas® (Tetrafluoroethylene-propylene copolymer) – Better resistance to many individual chemicals. For service in high temperature environments. (Low temperature limitations.) (+32°F to 400°F)

(PFA) PFA Teflon® – High resistance to many individual chemicals where Teflon seals are required. (1,500 max psi) (-15°F to 400°F)

Other seals available upon request include:

Buna, EPR, Neoprene and Kalrez®.

Please specify oxygen use when ordering. Super Swivels are not recommended for breathing air or steam.

• Viton and Kalrez are registered trademarks of DuPont Dow® Elastomers. • Teflon, Freon, and Hytrel are registered trademarks of the DuPont® Company.
• Aflas is a registered trademark of Asahi® Glass Co LTD. • Skydrol and Pydraul are registered trademarks of Monsanto® Chemical Co. All other ® and ™s are the property of their respective owners.

Seal Compatibility Chart

| FLUIDS | VITON® (HYTREL® back-up) 25 in/Hg-5000 P.S.I. MAX* -15°F TO 250°F | AFLAS® (TEFLON® back-up) 25 in/Hg-5000 P.S.I. MAX* +32°F TO 400°F | PFA TEFLON (TEFLON back-up) 25 in/Hg-1500 MAX -15°F TO 400°F |
|-------------------------------|---|---|--|
| automatic transmission fluids | A | A | A |
| acetone | C | C | C |
| air | A | A | A |
| asphalt | B | A | B |
| benzene | A | B | B |
| brake fluid (glycol) | C | A | B |
| brake fluid (mineral) | C | A | B |
| brake fluid (silicone) | C | A | B |
| carbon tetrachloride | A | C | A |
| engine oil (sf, sf cd) | A | A | A |
| ethylene glycol | A | A | A |
| FREON® | C | C | C |
| hydraulic fluids (petroleum) | A | A | A |
| hydrochloric acid | B | A | A |
| methyl ethyl ketone | C | C | C |
| naphtha | A | A | A |
| oxygen (gaseous) | A | A | A |
| power steering fluid | C | A | A |
| salt water | B | A | A |
| SKYDROL 500 B4® | C | B | C |
| soap solutions | C | A | A |
| sulfuric acid | A | A | A |
| toluene | A | C | B |
| trichlorethylene | A | C | A |
| urethane | C | A | C |
| water | C | A | A |

A=Satisfactory
B=Fair
C=Unsatisfactory

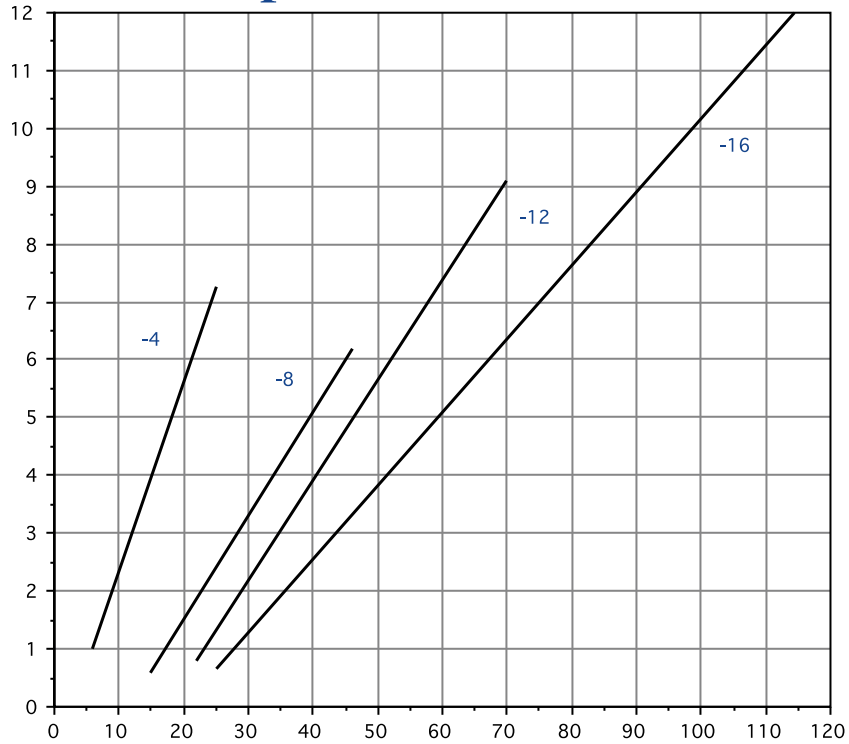
*2500 P.S.I. MAX PNEUMATIC

This chart is only a guide, several factors should be considered when selecting a sealing compound, for further information contact Super Swivels®.

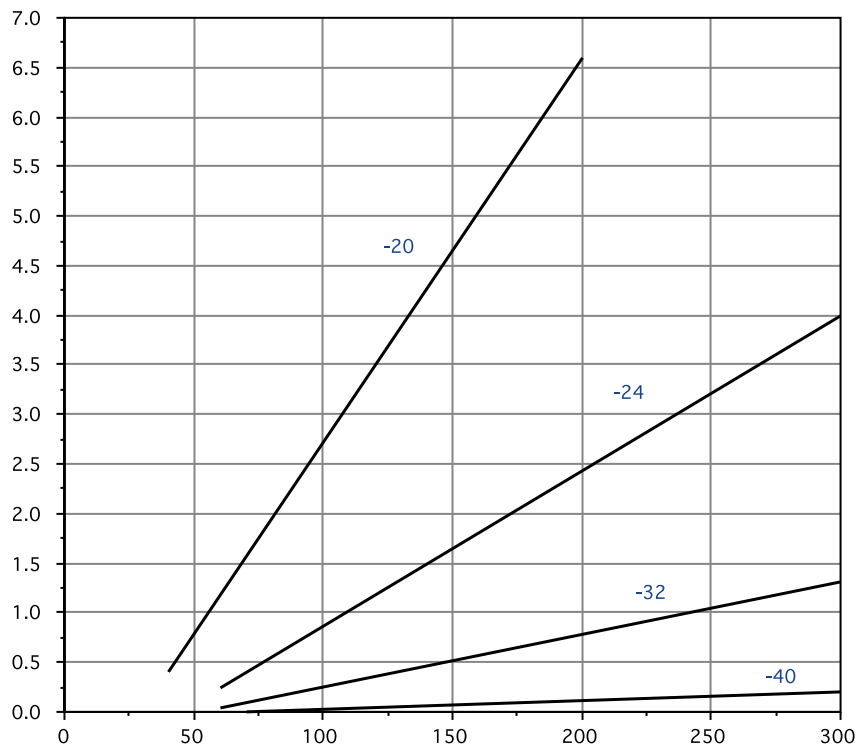
Note 1. Please specify oxygen use when ordering. Super Swivels® are not recommended for breathing air.

Not recommended for steam.

Pressure Drop “SS” Inline #4 - #16

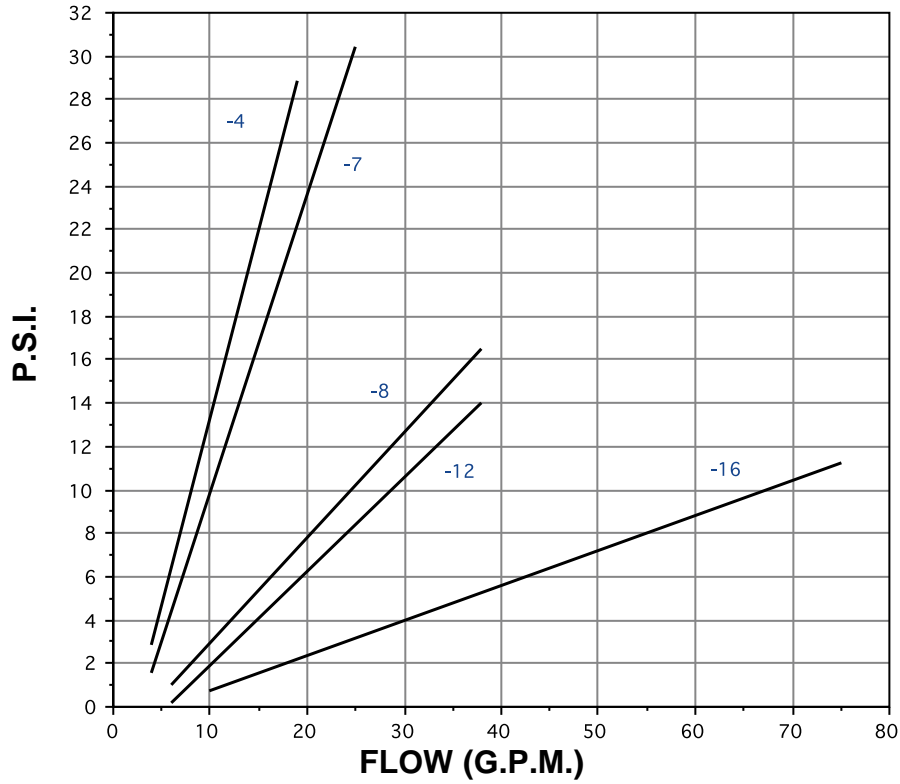


Pressure Drop “SS” Inline #20 - #40

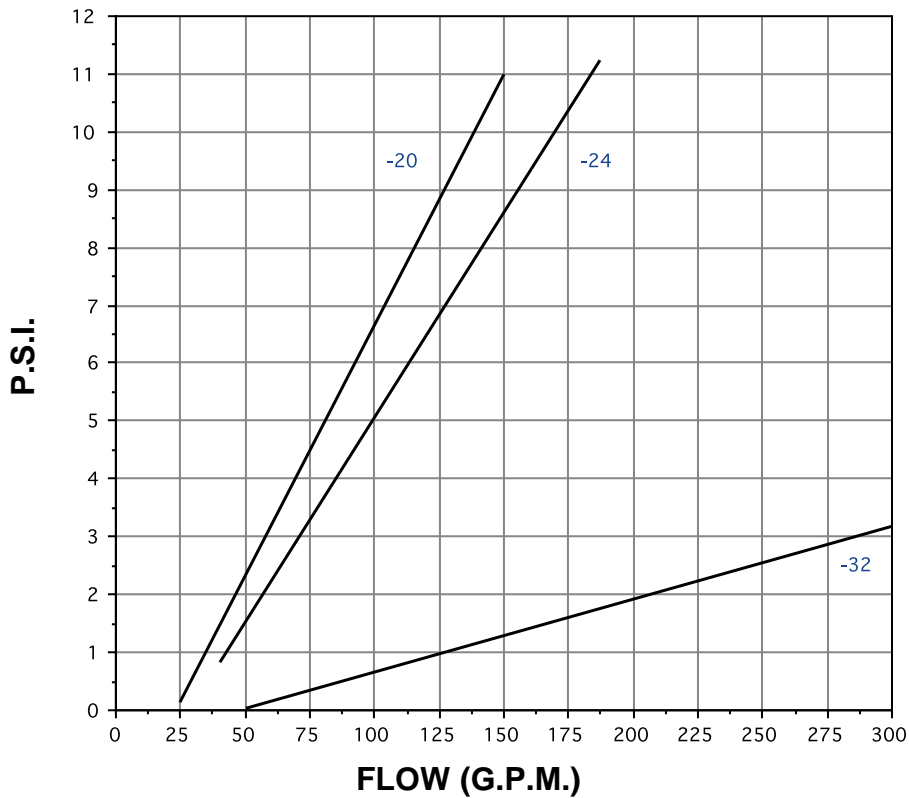




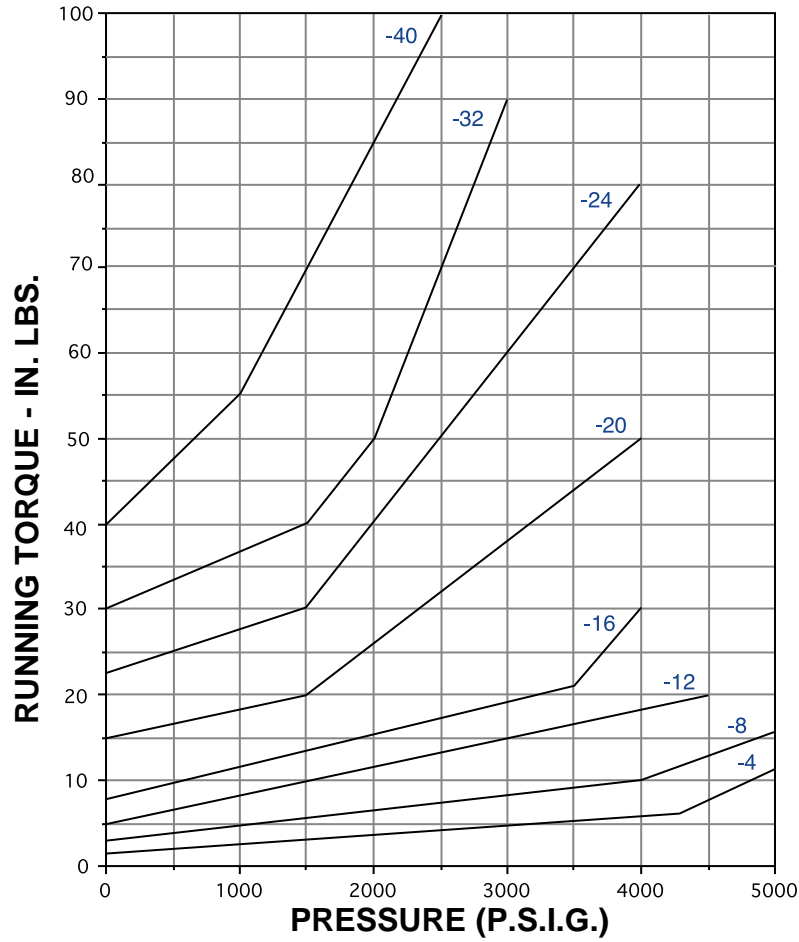
Pressure Drop "9SS" 90° #4 - #16



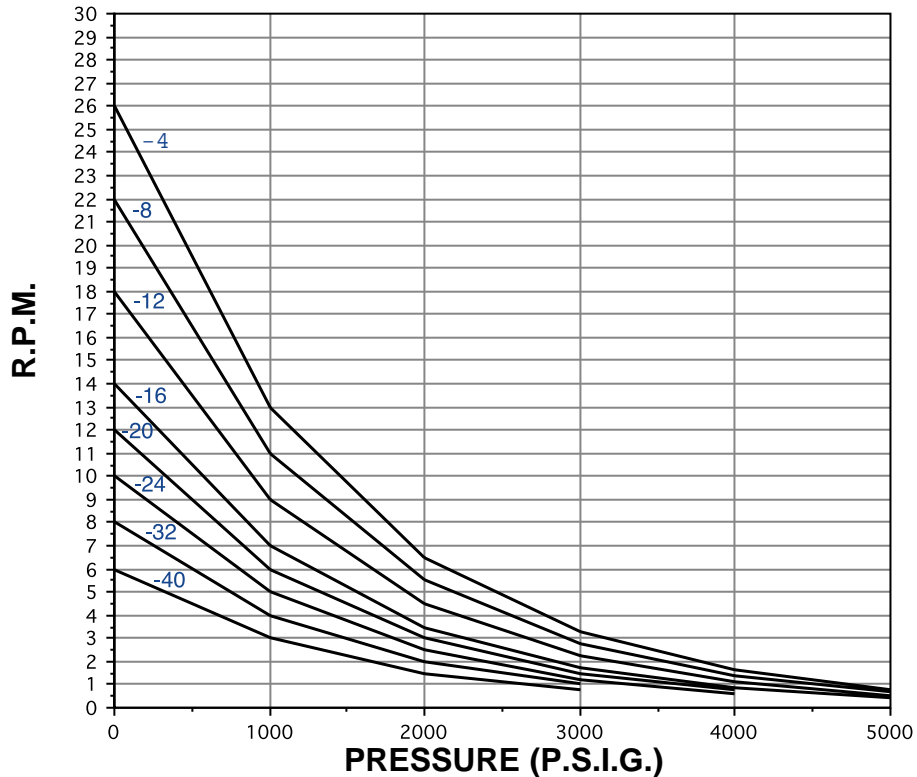
Pressure Drop "9SS" 90° #20 - #32



Rotating Torque vs. Pressure



R.P.M. vs. P.S.I.

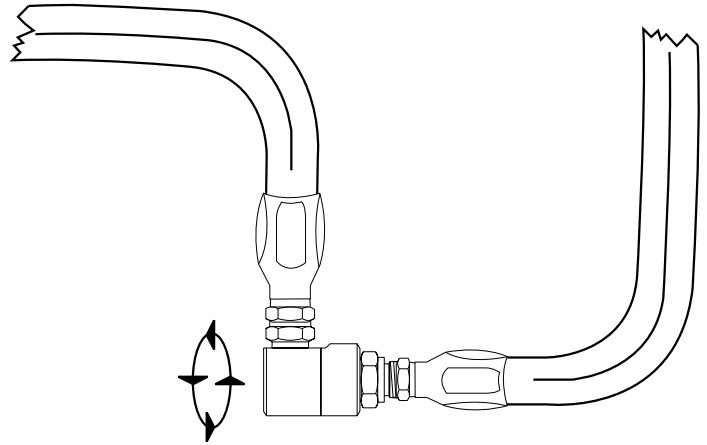


Note: For specific pressure see charts with diagrams.

Super Swivels' Advantages

Simplified Connections:

- Super Swivels can connect directly to hose lines which would do away with adapters.
- Super Swivels reduce the complexity of hose lines for 90° connections.
- Less hose is required with Super Swivels live swivels reducing space needs.



Reduce Maintenance and Downtime:

- Less hydraulic line congestion, hose kinking, shock damage and twisting means lower maintenance costs and less downtime.

Reduced Hose Twisting:

- Super Swivels live swivel action reduces risk of hose twisting and kinking even in 90° angel connections.

Reduced Cost:

Less System Shock:

- The increased hose movement allowed by Super Swivels superior design reduces system rigidity and helps absorb some system impulses.
- Simplified hose configuration, less hose and adapters when combined with reduced repairs and downtime reduce the overall cost of hydraulics.



Inline Swivels



Switch Your Swivel!®

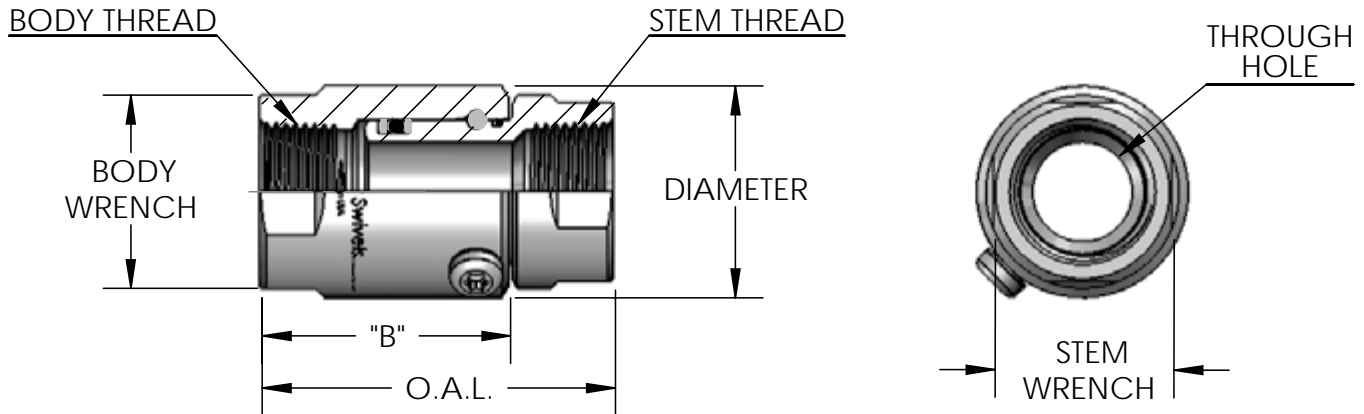
www.SuperSwivels.com

Email: sales@superswivels.com

763-784-5531

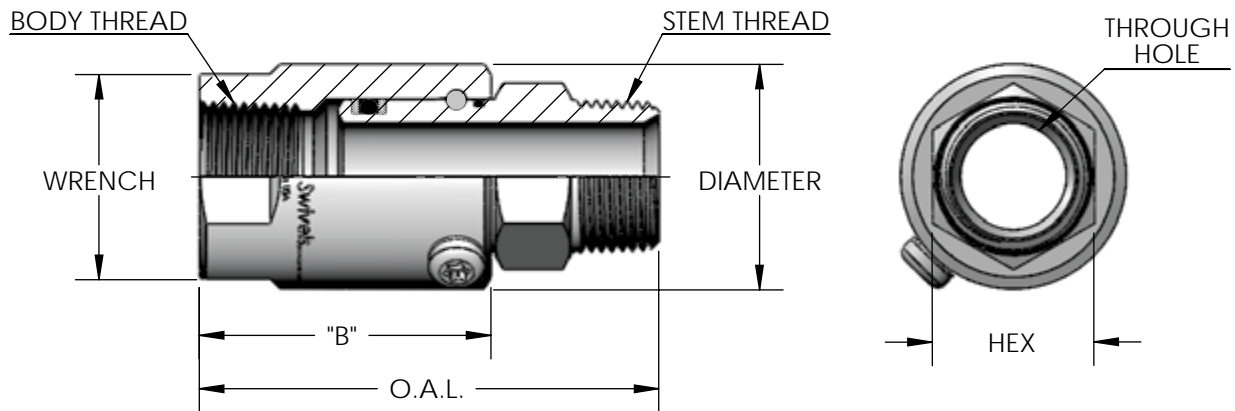
Fax: 763-784-7423

Female Pipe (N.P.T.F.) X Female Pipe (N.P.T.F.)



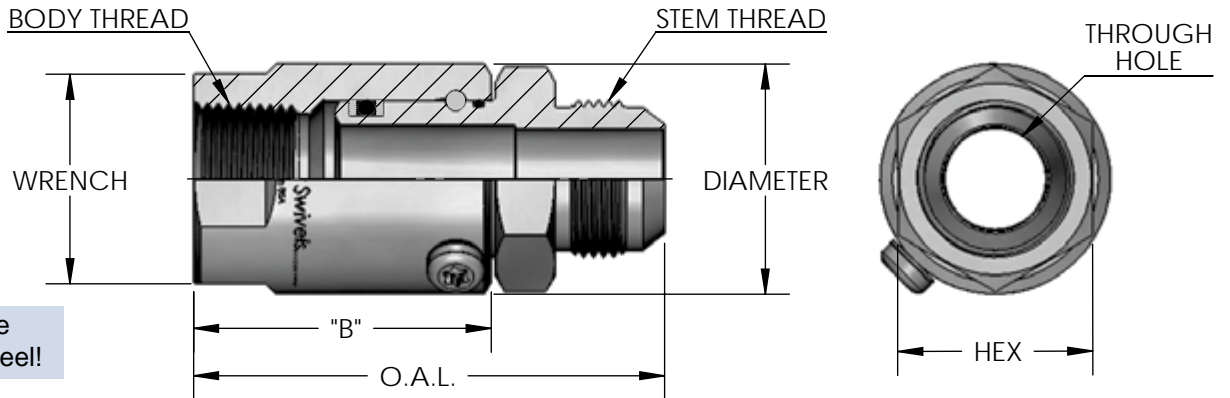
| PART NUMBER | O.A.L. | DIM. B | DIAMETER | STEM THREAD | BODY THREAD | BODY WRENCH | STEM WRENCH | MAX P.S.I.G. | THROUGH HOLE |
|------------------------|--------|--------|----------|-----------------------|-----------------------|-------------|-------------|--------------|--------------|
| SS 2 FP 12.5 X FP 12.5 | 1.785 | 1.225 | .734 | 1/8-27 N.P.T.F. | 1/8-27 N.P.T.F. | 0.625 | 0.625 | 5000 | 0.157 |
| SS 4 FP 25 X FP 25 | 2.320 | 1.720 | .992 | 1/4-18 N.P.T.F. | 1/4-18 N.P.T.F. | 0.875 | 0.750 | 5000 | 0.250 |
| SS 8 FP 38 X FP 38 | 2.255 | 1.550 | 1.290 | 3/8-18 N.P.T.F. | 3/8-18 N.P.T.F. | 1.125 | 0.875 | 5000 | 0.530 |
| SS 8 FP 50 X FP 50 | 2.480 | 1.650 | 1.480 | 1/2-14 N.P.T.F. | 1/2-14 N.P.T.F. | 1.250 | 1.125 | 5000 | 0.530 |
| SS 12 FP 75 X FP 75 | 2.685 | 1.850 | 1.675 | 3/4-14 N.P.T.F. | 3/4-14 N.P.T.F. | 1.500 | 1.375 | 4500 | 0.689 |
| SS 16 FP 100 X FP 100 | 3.200 | 2.685 | 1.918 | 1-11 1/2 N.P.T.F. | 1-11 1/2 N.P.T.F. | 1.750 | 1.625 | 4000 | 0.906 |
| SS 20 FP 125 X FP 125 | 3.680 | 2.685 | 2.358 | 1 1/4-11 1/2 N.P.T.F. | 1 1/4-11 1/2 N.P.T.F. | 2.125 | 2.000 | 4000 | 1.181 |
| SS 24 FP 150 X FP 150 | 4.050 | 2.950 | 2.548 | 1 1/2-11 1/2 N.P.T.F. | 1 1/2-11 1/2 N.P.T.F. | 2.375 | 2.375 | 4000 | 1.312 |
| SS 32 FP 200 X FP 200 | 4.520 | 3.450 | 3.052 | 2-11 1/2 N.P.T.F. | 2-11 1/2 N.P.T.F. | 2.875 | 2.875 | 3000 | 1.781 |
| SS 40 FP 250 X FP 250 | 5.165 | 3.785 | 3.572 | 2 1/2-8 N.P.T.F. | 2 1/2-8 N.P.T.F. | 3.375 | 3.375 | 2500 | 2.125 |

Male Pipe (N.P.T.F.) X Female Pipe (N.P.T.F.)



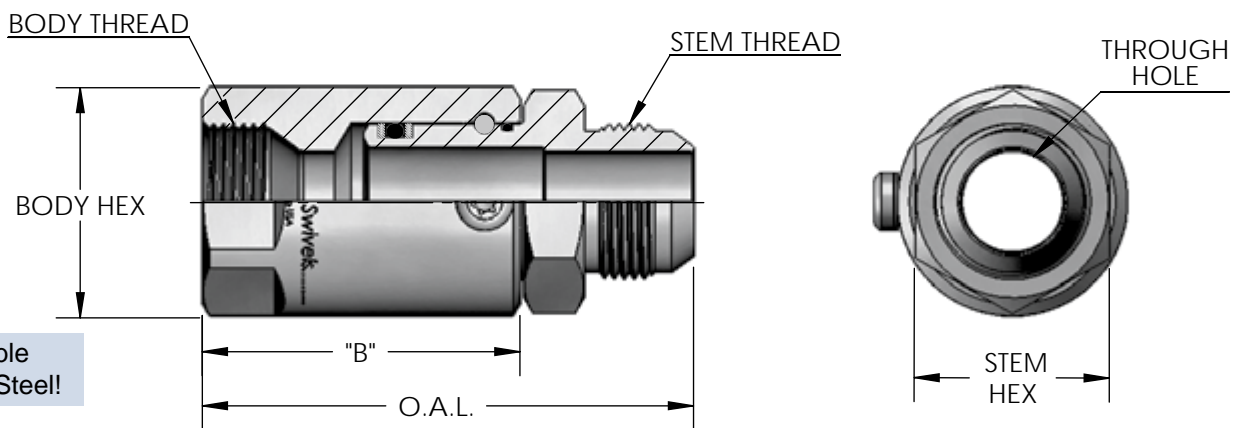
| PART NUMBER | O.A.L. | DIM. B | STEM THREAD | BODY THREAD | HEX | DIAMETER | WRENCH | MAX P.S.I.G. | THROUGH HOLE |
|------------------------|--------|--------|-----------------------|-----------------------|-------|----------|--------|--------------|--------------|
| SS 2 MP 12.5 X FP 12.5 | 1.855 | 1.225 | 1/8-27 N.P.T.F. | 1/8-27 N.P.T.F. | 0.437 | 0.734 | 0.625 | 5000 | 0.157 |
| SS 4 MP 25 X FP 25 | 2.450 | 1.720 | 1/4-18 N.P.T.F. | 1/4-18 N.P.T.F. | 0.625 | 0.992 | 0.875 | 5000 | 0.250 |
| SS 8 MP 38 X FP 38 | 2.680 | 1.570 | 3/8-18 N.P.T.F. | 3/8-18 N.P.T.F. | 1.000 | 1.292 | 1.125 | 5000 | 0.406 |
| SS 8 MP 50 X FP 50 | 2.840 | 1.650 | 1/2-14 N.P.T.F. | 1/2-14 N.P.T.F. | 1.000 | 1.480 | 1.250 | 5000 | 0.530 |
| SS 12 MP 75 X FP 75 | 3.085 | 1.850 | 3/4-14 N.P.T.F. | 3/4-14 N.P.T.F. | 1.125 | 1.675 | 1.500 | 4500 | 0.689 |
| SS 16 MP 100 X FP 100 | 3.675 | 2.480 | 1-11 1/2 N.P.T.F. | 1-11 1/2 N.P.T.F. | 1.375 | 1.917 | 1.750 | 4000 | 0.906 |
| SS 20 MP 125 X FP 125 | 4.190 | 2.685 | 1 1/4-11 1/2 N.P.T.F. | 1 1/4-11 1/2 N.P.T.F. | 1.750 | 2.357 | 2.125 | 4000 | 1.181 |
| SS 24 MP 150 X FP 150 | 4.625 | 2.950 | 1 1/2-11 1/2 N.P.T.F. | 1 1/2-11 1/2 N.P.T.F. | 2.000 | 2.550 | 2.375 | 4000 | 1.312 |
| SS 32 MP 200 X FP 200 | 5.050 | 3.450 | 2-11 1/2 N.P.T.F. | 2-11 1/2 N.P.T.F. | 2.500 | 3.055 | 2.875 | 3000 | 1.781 |

Male J.I.C. (37°) X Female Pipe (N.P.T.F.)



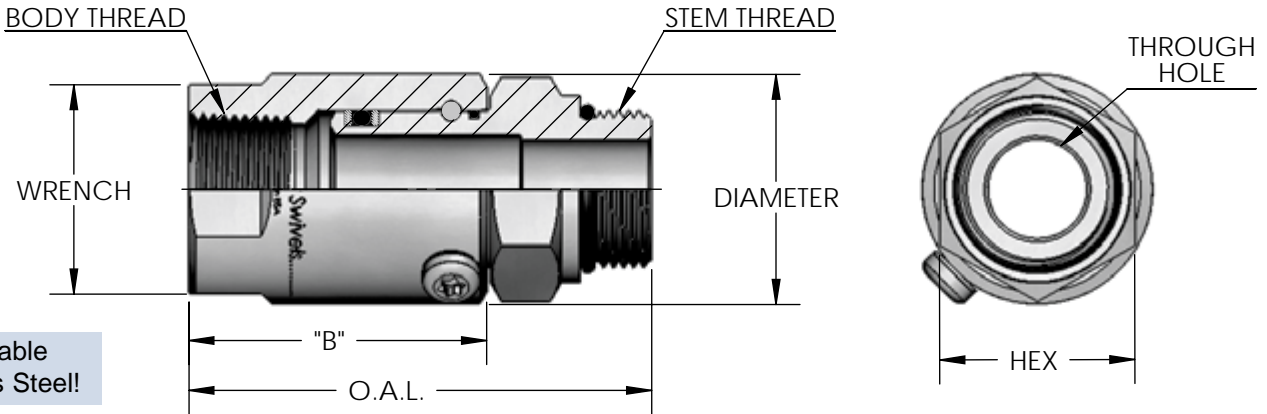
| PART NUMBER | O.A.L. | DIM. B | STEM THREAD | BODY THREAD | STEM HEX | DIAMETER | WRENCH | MAX P.S.I.G. | THROUGH HOLE |
|----------------------|--------|--------|----------------|-----------------------|----------|----------|--------|--------------|--------------|
| SS 4 MJ 6 X FP 25 | 2.670 | 1.720 | 9/16-18 U.N. | 1/4-18 N.P.T.F. | 0.750 | 0.992 | 0.875 | 5000 | 0.250 |
| SS 8 MJ 8 X FP 38 | 2.655 | 1.850 | 3/4-16 U.N. | 3/8-18 N.P.T.F. | 1.000 | 1.292 | 1.125 | 5000 | 0.406 |
| SS 8 MJ 8 X FP 50 | 2.740 | 1.650 | 3/4-16 U.N. | 1/2-14 N.P.T.F. | 1.000 | 1.480 | 1.250 | 5000 | 0.406 |
| SS 8 MJ 10 X FP 50 | 2.840 | 1.650 | 7/8-14 U.N. | 1/2-14 N.P.T.F. | 1.000 | 1.480 | 1.250 | 5000 | 0.484 |
| SS 12 MJ 12 X FP 75 | 3.210 | 1.850 | 1 1/16-12 U.N. | 3/4-14 N.P.T.F. | 1.375 | 1.675 | 1.500 | 4500 | 0.609 |
| SS 16 MJ 16 X FP 100 | 3.700 | 2.480 | 1 5/16-12 U.N. | 1-1 1/2 N.P.T.F. | 1.625 | 1.917 | 1.750 | 4000 | 0.844 |
| SS 20 MJ 20 X FP 125 | 4.230 | 2.685 | 1 5/8-12 U.N. | 1 1/4-11 1/2 N.P.T.F. | 1.750 | 2.357 | 2.125 | 4000 | 1.078 |
| SS 24 MJ 24 X FP 150 | 4.715 | 2.950 | 1 7/8-12 U.N. | 1 1/2-11 1/2 N.P.T.F. | 2.125 | 2.547 | 2.370 | 4000 | 1.312 |

Male J.I.C. (37°) X Female J.I.C. (37°)



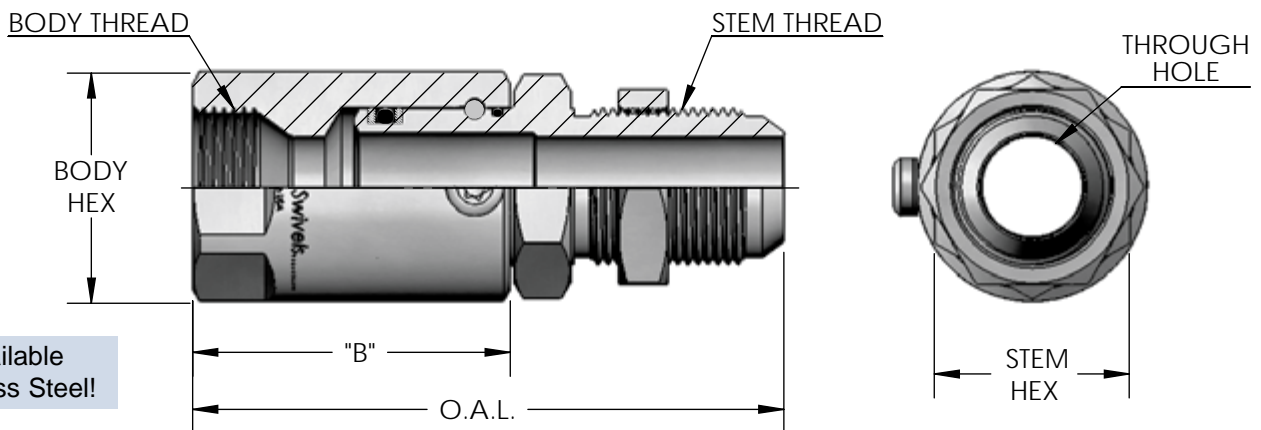
| PART NUMBER | O.A.L. | DIM. B | STEM THREAD | BODY THREAD | STEM HEX | BODY HEX/WRENCH | BODY DIA. | MAX P.S.I.G. | THROUGH HOLE |
|---------------------|--------|--------|----------------|----------------|----------|-----------------|-----------|--------------|--------------|
| SS 4 MJ 4 X FJ 4 | 2.578 | 1.648 | 7/16-20 U.N. | 7/16-20 U.N. | 0.750 | 1.000 | HEX | 5000 | 0.172 |
| SS 4 MJ 5 X FJ 5 | 2.578 | 1.648 | 1/2-20 U.N. | 1/2-20 U.N. | 0.750 | 1.000 | HEX | 5000 | 0.234 |
| SS 4 MJ 6 X FJ 6 | 2.770 | 1.820 | 9/16-18 U.N. | 9/16-18 U.N. | 0.750 | 1.000 | HEX | 5000 | 0.250 |
| SS 8 MJ 8 X FJ 8 | 3.035 | 1.950 | 3/4-16 U.N. | 3/4-16 U.N. | 1.000 | 1.375 | 1.480 | 5000 | 0.406 |
| SS 8 MJ 10 X FJ 10 | 3.235 | 2.050 | 7/8-14 U.N. | 7/8-14 U.N. | 1.000 | 1.375 | 1.480 | 5000 | 0.484 |
| SS 12 MJ 12 X FJ 12 | 3.505 | 2.145 | 1 1/16-12 U.N. | 1 1/16-12 U.N. | 1.375 | 1.625 | 1.675 | 4500 | 0.609 |
| SS 16 MJ 16 X FJ 16 | 4.091 | 2.646 | 1 5/16-12 U.N. | 1 5/16-12 U.N. | 1.625 | 1.750 | 1.917 | 4000 | 0.844 |
| SS 20 MJ 20 X FJ 20 | 4.395 | 2.850 | 1 5/8-12 U.N. | 1 5/8-12 U.N. | 1.750 | 2.125 | 2.357 | 4000 | 1.078 |
| SS 24 MJ 24 X FJ 24 | 5.175 | 3.410 | 1 7/8-12 U.N. | 1 7/8-12 U.N. | 2.125 | 2.375 | 2.550 | 4000 | 1.312 |

Male O-Ring (O.R.B.) X Female Pipe (N.P.T.F.)



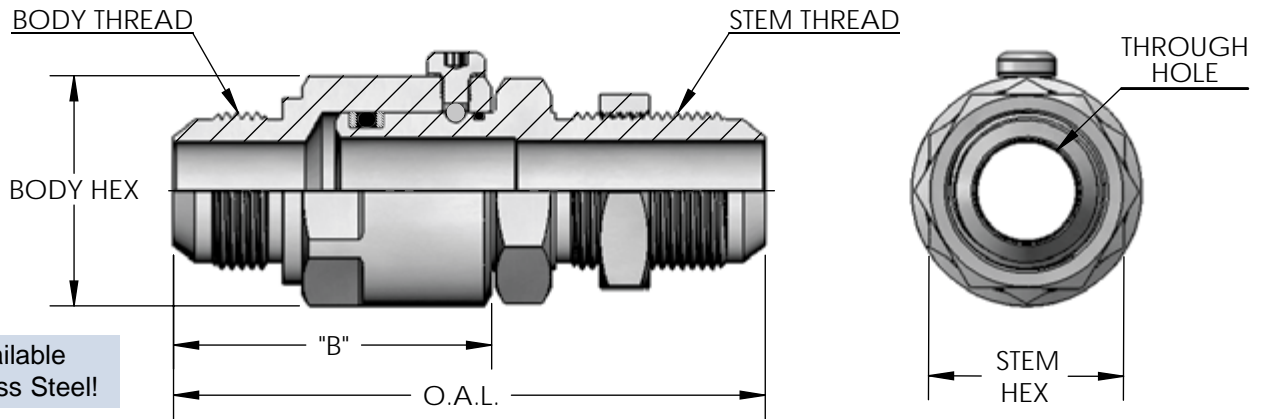
| PART NUMBER | O.A.L. | DIM. B | STEM THREAD | BODY THREAD | HEX | DIAMETER | WRENCH | MAX P.S.I.G. | THROUGH HOLE |
|----------------------|--------|--------|----------------|-----------------------|-------|----------|--------|--------------|--------------|
| SS 4 MO 6 X FP 25 | 2.540 | 1.720 | 9/16-18 U.N. | 1/4-18 N.P.T.F. | 0.750 | 0.992 | 0.875 | 5000 | 0.250 |
| SS 8 MO 8 X FP 38 | 2.510 | 1.550 | 3/4-16 U.N. | 3/8-18 N.P.T.F. | 1.000 | 1.292 | 1.125 | 5000 | 0.406 |
| SS 8 MO 8 X FP 50 | 2.590 | 1.650 | 3/4-16 U.N. | 1/2-14 N.P.T.F. | 1.000 | 1.480 | 1.250 | 5000 | 0.406 |
| SS 8 MO 10 X FP 50 | 2.710 | 1.650 | 7/8-14 U.N. | 1/2-14 N.P.T.F. | 1.000 | 1.480 | 1.250 | 5000 | 0.484 |
| SS 12 MO 12 X FP 75 | 3.074 | 1.850 | 1 1/16-12 U.N. | 3/4-14 N.P.T.F. | 1.375 | 1.675 | 1.500 | 4500 | 0.609 |
| SS 16 MO 16 X FP 100 | 3.625 | 2.250 | 1 5/16-12 U.N. | 1-11 1/2 N.P.T.F. | 1.625 | 1.917 | 1.750 | 4000 | 0.827 |
| SS 20 MO 20 X FP 125 | 4.150 | 2.685 | 1 5/8-12 U.N. | 1 1/4-11 1/2 N.P.T.F. | 1.875 | 2.357 | 2.125 | 4000 | 1.078 |
| SS 24 MO 24 X FP 150 | 4.550 | 2.950 | 1 7/8-12 U.N. | 1 1/2-11 1/2 N.P.T.F. | 2.125 | 2.547 | 2.375 | 4000 | 1.312 |

Male J.I.C. Bulkhead (37°) X Female J.I.C. (37°)



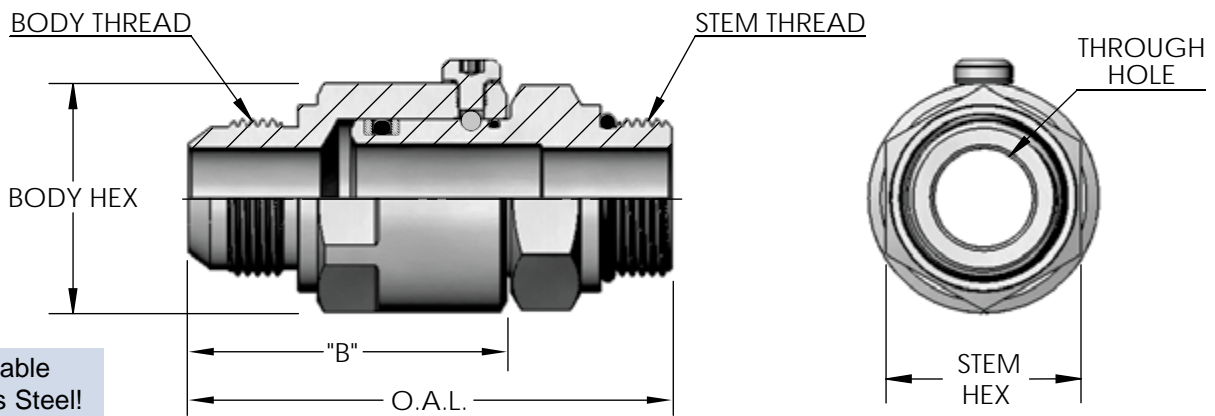
| PART NUMBER | O.A.L. | DIM. B | STEM THREAD | BODY THREAD | STEM HEX | BODY HEX/WRENCH | BODY DIA. | MAX P.S.I.G. | THROUGH HOLE |
|----------------------|--------|--------|----------------|----------------|----------|-----------------|-----------|--------------|--------------|
| SS 4 MJB 6 X FJ 6 | 3.410 | 1.820 | 9/16-18 U.N. | 9/16-18 U.N. | .812 | 1.000 | 1.100 | 5000 | 0.250 |
| SS 8 MJB 8 X FJ 8 | 3.770 | 1.950 | 3/4-16 U.N. | 3/4-16 U.N. | 1.000 | 1.375 | 1.480 | 5000 | 0.406 |
| SS 8 MJB 10 X FJ 10 | 4.090 | 2.050 | 7/8-14 U.N. | 7/8-14 U.N. | 1.125 | 1.375 | 1.480 | 5000 | 0.484 |
| SS 12 MJB 12 X FJ 12 | 4.425 | 2.145 | 1 1/16-12 U.N. | 1 1/16-12 U.N. | 1.375 | 1.625 | 1.675 | 4500 | 0.609 |
| SS 16 MJB 16 X FJ 16 | 4.926 | 2.646 | 1 5/16-12 U.N. | 1 5/16-12 U.N. | 1.625 | 1.750 | 1.917 | 4000 | 0.844 |
| SS 20 MJB 20 X FJ 20 | 5.290 | 2.850 | 1 5/8-12 U.N. | 1 5/8-12 U.N. | 1.875 | 2.125 | 2.357 | 4000 | 1.078 |

Male J.I.C. Bulkhead (37°) X Male J.I.C. (37°)



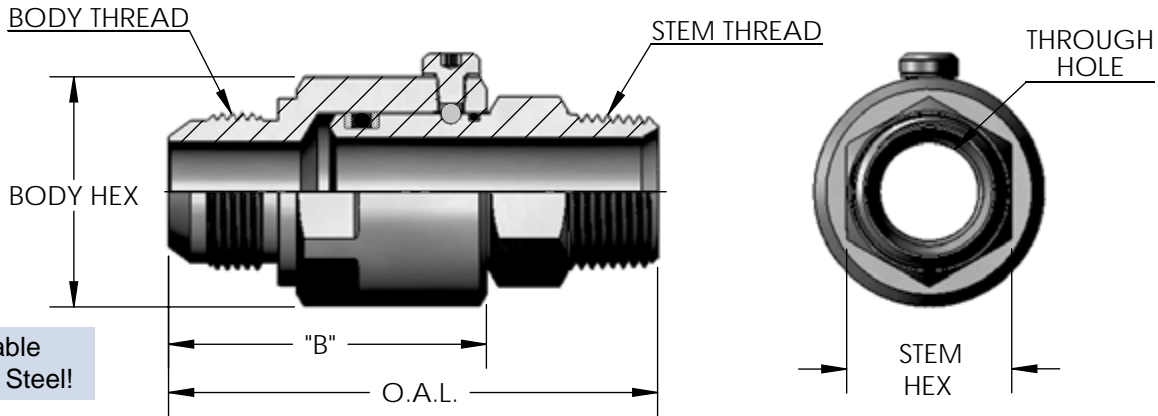
| PART NUMBER | O.A.L. | DIM. B | STEM THREAD | BODY THREAD | STEM HEX | BODY HEX/WRENCH | BODY DIA. | MAX P.S.I.G. | THROUGH HOLE |
|----------------------|--------|--------|---|---|----------|-----------------|-----------|--------------|--------------|
| SS 4 MJB 6 X MJ 6 | 3.310 | 1.720 | 9/16-18 U.N. | 9/16-18 U.N. | .812 | 1.000 | 1.100 | 5000 | 0.250 |
| SS 8 MJB 8 X MJ 8 | 3.720 | 1.900 | 3/4-16 U.N. | 3/4-16 U.N. | 1.000 | 1.375 | 1.480 | 5000 | 0.406 |
| SS 8 MJB 10 X MJ 10 | 4.090 | 2.050 | 7/8-14 U.N. | 7/8-14 U.N. | 1.125 | 1.375 | 1.480 | 5000 | 0.484 |
| SS 12 MJB 12 X MJ 12 | 4.405 | 2.125 | 1 ¹ / ₁₆ -12 U.N. | 1 ¹ / ₁₆ -12 U.N. | 1.375 | 1.500 | 1.675 | 4500 | 0.609 |
| SS 16 MJB 16 X MJ 16 | 4.930 | 2.650 | 1 ⁵ / ₁₆ -12U.N. | 1 ⁵ / ₁₆ -12U.N. | 1.625 | 1.750 | 1.917 | 4000 | 0.827 |
| SS 20 MJB 20 X MJ 20 | 5.290 | 2.850 | 1 ⁵ / ₈ -12 U.N. | 1 ⁵ / ₈ -12 U.N. | 1.875 | 2.125 | 2.357 | 4000 | 1.078 |

Male O-Ring (O.R.B.) X Male J.I.C. (37°)



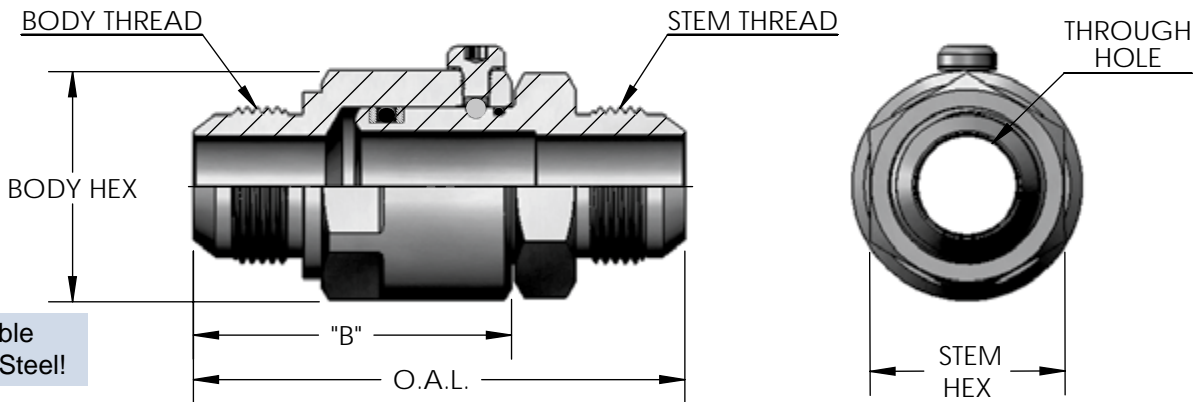
| PART NUMBER | O.A.L. | DIM. B | STEM THREAD | BODY THREAD | STEM HEX | BODY HEX/WRENCH | BODY DIA. | MAX P.S.I.G. | THROUGH HOLE |
|---------------------|--------|--------|---|---|----------|-----------------|-----------|--------------|--------------|
| SS 4 MO 4 X MJ 4 | 2.540 | 1.720 | 7/16-20 U.N. | 7/16-20 U.N. | 0.625 | 1.000 | HEX | 5000 | 0.172 |
| SS 4 MO 6 X MJ 6 | 2.540 | 1.720 | 9/16-18 U.N. | 9/16-18 U.N. | 0.750 | 1.000 | HEX | 5000 | 0.250 |
| SS 8 MO 8 X MJ 8 | 2.838 | 1.900 | 3/4-16 U.N. | 3/4-16 U.N. | 1.000 | 1.375 | 1.480 | 5000 | 0.406 |
| SS 8 MO 10 X MJ 8 | 2.960 | 1.900 | 7/8-14 U.N. | 3/4-16 U.N. | 1.000 | 1.375 | 1.480 | 5000 | 0.406 |
| SS 8 MO 10 X MJ 10 | 3.110 | 2.050 | 7/8-14 U.N. | 7/8-14 U.N. | 1.000 | 1.375 | 1.492 | 5000 | 0.484 |
| SS 12 MO 12 X MJ 12 | 3.349 | 2.125 | 1 ¹ / ₁₆ -12 U.N. | 1 ¹ / ₁₆ -12 U.N. | 1.375 | 1.500 | 1.675 | 4500 | 0.609 |
| SS 16 MO 16 X MJ 16 | 4.024 | 2.650 | 1 ⁵ / ₁₆ -12 U.N. | 1 ⁵ / ₁₆ -12U.N. | 1.625 | 1.750 | 1.917 | 4000 | 0.827 |
| SS 20 MO 20 X MJ 20 | 4.315 | 2.850 | 1 ⁵ / ₈ -12 U.N. | 1 ⁵ / ₈ -12 U.N. | 1.875 | 2.125 | 2.357 | 4000 | 1.078 |
| SS 24 MO 24 X MJ 24 | 5.039 | 3.444 | 1 ⁷ / ₈ -12 U.N. | 1 ⁷ / ₈ -12 U.N. | 2.120 | 2.375 | 2.547 | 4000 | 1.312 |

Male Pipe (N.P.T.F.) X Male J.I.C. (37°)



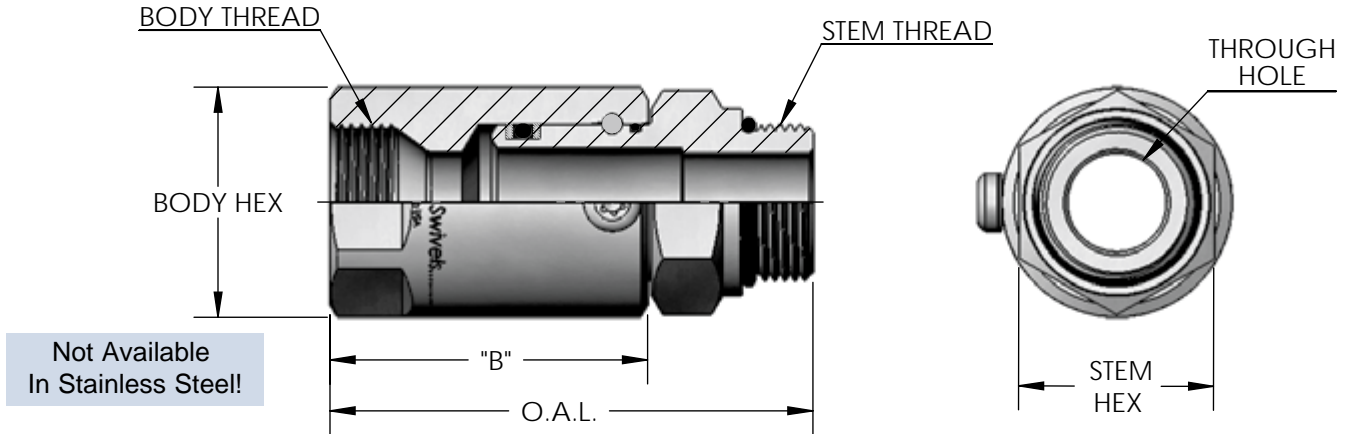
| PART NUMBER | O.A.L. | DIM. B | STEM THREAD | BODY THREAD | STEM HEX | BODY HEX/WRENCH | BODY DIA. | MAX P.S.I.G. | THROUGH HOLE |
|----------------------|--------|--------|-----------------------|----------------|----------|-----------------|-----------|--------------|--------------|
| SS 4 MP 25 X MJ 4 | 2.450 | 1.720 | 1/4-18 N.P.T.F. | 7/16-20 U.N. | 0.625 | 1.000 | HEX | 5000 | 0.180 |
| SS 4 MP 25 X MJ 6 | 2.695 | 1.720 | 1/4-18 N.P.T.F. | 9/16-18 U.N. | 0.625 | 1.000 | HEX | 5000 | 0.250 |
| SS 4 MP 38 X MJ 6 | 2.700 | 1.720 | 3/8-18 N.P.T.F. | 9/16-18 U.N. | 0.750 | 1.000 | HEX | 5000 | 0.250 |
| SS 8 MP 38 X MJ 8 | 3.010 | 1.900 | 3/8-18 N.P.T.F. | 3/4-16 U.N. | 1.000 | 1.375 | 1.480 | 5000 | 0.406 |
| SS 8 MP 38 X MJ 10 | 3.160 | 2.050 | 3/8-18 N.P.T.F. | 7/8-14 U.N. | 1.000 | 1.375 | 1.480 | 5000 | 0.406 |
| SS 8 MP 50 X MJ 8 | 3.090 | 1.900 | 1/2-14 N.P.T.F. | 3/4-16 U.N. | 1.000 | 1.375 | 1.480 | 5000 | 0.406 |
| SS 8 MP 50 X MJ 10 | 3.230 | 2.050 | 1/2-14 N.P.T.F. | 7/8-14 U.N. | 1.000 | 1.375 | 1.480 | 5000 | 0.484 |
| SS 12 MP 75 X MJ 12 | 3.360 | 2.125 | 3/4-14 N.P.T.F. | 1 1/16-12 U.N. | 1.125 | 1.500 | 1.675 | 4500 | 0.609 |
| SS 16 MP 100 X MJ 16 | 4.075 | 2.650 | 1-11 1/2 N.P.T.F. | 1 5/16-12 U.N. | 1.375 | 1.750 | 1.917 | 4000 | 0.827 |
| SS 20 MP 125 X MJ 20 | 4.355 | 2.850 | 1 1/4-11 1/2 N.P.T.F. | 1 5/8-12 U.N. | 1.750 | 2.125 | 2.357 | 4000 | 1.078 |
| SS 24 MP 150 X MJ 24 | 5.119 | 3.444 | 1 1/2-11 1/2 N.P.T.F. | 1 7/8-12 U.N. | 2.000 | 2.375 | 2.557 | 4000 | 1.312 |

Male J.I.C. (37°) X Male J.I.C. (37°)



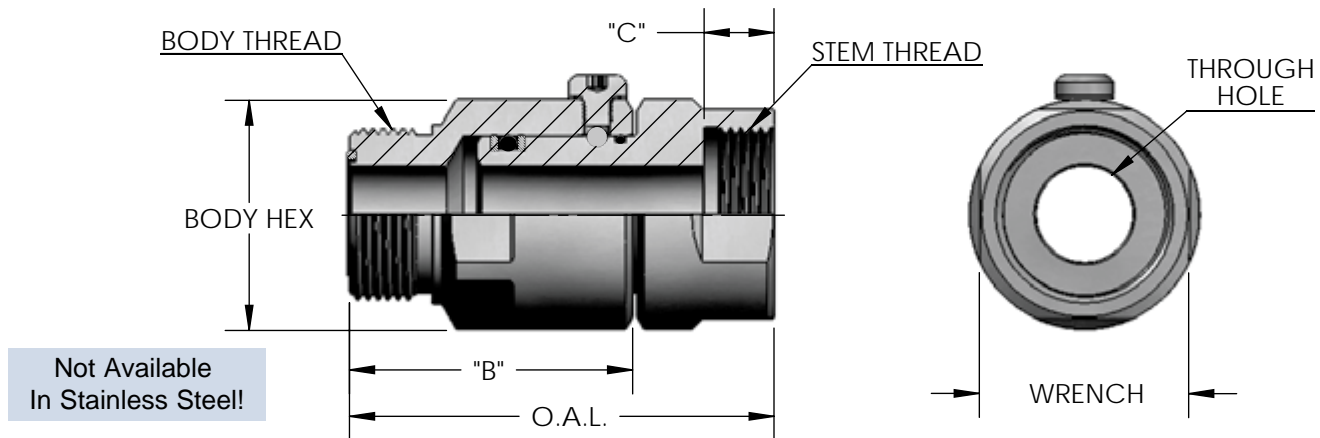
| PART NUMBER | O.A.L. | DIM. B | STEM THREAD | BODY THREAD | STEM HEX | BODY HEX/WRENCH | BODY DIA. | MAX P.S.I.G. | THROUGH HOLE |
|---------------------|--------|--------|----------------|----------------|----------|-----------------|-----------|--------------|--------------|
| SS 4 MJ 4 X MJ 4 | 2.650 | 1.720 | 7/16-20 U.N. | 7/16-20 U.N. | 0.750 | 1.000 | HEX | 5000 | 0.172 |
| SS 4 MJ 6 X MJ 6 | 2.670 | 1.720 | 9/16-18 U.N. | 9/16-18 U.N. | 0.750 | 1.000 | HEX | 5000 | 0.250 |
| SS 8 MJ 8 X MJ 8 | 2.985 | 1.900 | 3/4-16 U.N. | 3/4-16 U.N. | 1.000 | 1.375 | 1.480 | 5000 | 0.406 |
| SS 8 MJ 10 X MJ 10 | 3.235 | 2.050 | 7/8-14 U.N. | 7/8-14 U.N. | 1.000 | 1.375 | 1.480 | 5000 | 0.484 |
| SS 12 MJ 12 X MJ 12 | 3.485 | 2.125 | 1 1/16-12 U.N. | 1 1/16-12 U.N. | 1.375 | 1.500 | 1.675 | 4500 | 0.609 |
| SS 16 MJ 16 X MJ 16 | 4.095 | 2.650 | 1 5/16-12 U.N. | 1 5/16-12 U.N. | 1.625 | 1.750 | 1.917 | 4000 | 0.827 |
| SS 20 MJ 20 X MJ 20 | 4.395 | 2.850 | 1 5/8-12 U.N. | 1 5/8-12 U.N. | 1.750 | 2.125 | 2.357 | 4000 | 1.078 |
| SS 24 MJ 24 X MJ 24 | 5.209 | 3.444 | 1 7/8-12 U.N. | 1 7/8-12 U.N. | 2.125 | 2.375 | 2.557 | 4000 | 1.312 |

Male O-Ring (O.R.B.) X Female J.I.C. (37°)



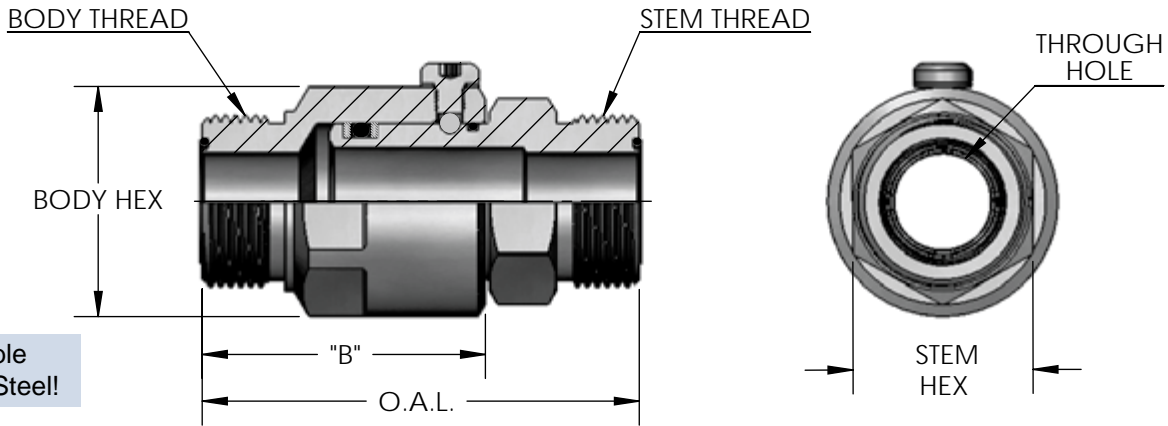
| PART NUMBER | O.A.L. | DIM. B | STEM THREAD | BODY THREAD | STEM HEX | BODY HEX/WRENCH | BODY DIA. | MAX P.S.I.G. | THROUGH HOLE |
|---------------------|--------|--------|----------------|----------------|----------|-----------------|-----------|--------------|--------------|
| SS 4 MO 6 X FJ 6 | 2.640 | 1.820 | 9/16-18 U.N. | 9/16-18 U.N. | 0.750 | 1.000 | HEX | 5000 | 0.250 |
| SS 8 MO 8 X FJ 8 | 2.888 | 1.950 | 3/4-16 U.N. | 3/4-16 U.N. | 1.000 | 1.375 | 1.480 | 5000 | 0.406 |
| SS 8 MO 10 X FJ 10 | 3.110 | 2.050 | 7/8-14 U.N. | 7/8-14 U.N. | 1.000 | 1.375 | 1.480 | 5000 | 0.484 |
| SS 12 MO 12 X FJ 12 | 3.369 | 2.145 | 1 1/16-12 U.N. | 1 1/16-12 U.N. | 1.375 | 1.625 | 1.675 | 4500 | 0.609 |
| SS 16 MO 16 X FJ 16 | 4.020 | 2.646 | 1 5/16-12 U.N. | 1 5/16-12 U.N. | 1.625 | 1.750 | 1.917 | 4000 | 0.827 |
| SS 20 MO 20 X FJ 20 | 4.315 | 2.850 | 1 5/8-12 U.N. | 1 5/8-12 U.N. | 1.875 | 2.125 | 2.357 | 4000 | 1.078 |
| SS 24 MO 24 X FJ 24 | 5.005 | 3.410 | 1 7/8-12 U.N. | 1 7/8-12 U.N. | 2.125 | 2.375 | 2.550 | 4000 | 1.312 |

Female Face Seal (F.F.S.) X Male Face Seal (M.F.S.)



| PART NUMBER | O.A.L. | DIM. B | DIM. C | STEM THREAD | BODY THREAD | WRENCH | BODY HEX/WRENCH | MAX P.S.I.G. | THROUGH HOLE |
|-----------------------|--------|--------|--------|-----------------|-----------------|--------|-----------------|--------------|--------------|
| SS 4 FFS 6 X MFS 6 | 2.200 | 1.640 | 0.375 | 11/16-16 U.N. | 11/16-16 U.N. | 0.875 | 1.000 | 5000 | 0.250 |
| SS 8 FFS 8 X MFS 8 | 2.400 | 1.709 | 0.433 | 13/16-16 U.N. | 13/16-16 U.N. | 1.250 | 1.375 | 5000 | 0.390 |
| SS 8 FFS 10 X MFS 10 | 2.550 | 1.815 | 0.504 | 1-14 U.N. | 1-14 U.N. | 1.250 | 1.375 | 5000 | 0.484 |
| SS 12 FFS 12 X MFS 12 | 2.690 | 1.900 | 0.571 | 1 3/16-12 U.N. | 1 3/16-12 U.N. | 1.500 | 1.500 | 4500 | 0.609 |
| SS 16 FFS 16 X MFS 16 | 3.210 | 2.360 | 0.583 | 1 7/16-12 U.N. | 1 7/16-12 U.N. | 1.750 | 1.750 | 4000 | 0.811 |
| SS 20 FFS 20 X MFS 20 | 3.390 | 2.500 | 0.583 | 1 11/16-12 U.N. | 1 11/16-12 U.N. | 2.125 | 2.125 | 4000 | 1.024 |
| SS 24 FFS 24 X MFS 24 | 3.950 | 3.050 | 0.583 | 2-12 U.N. | 2-12 U.N. | 2.375 | 2.375 | 4000 | 1.260 |

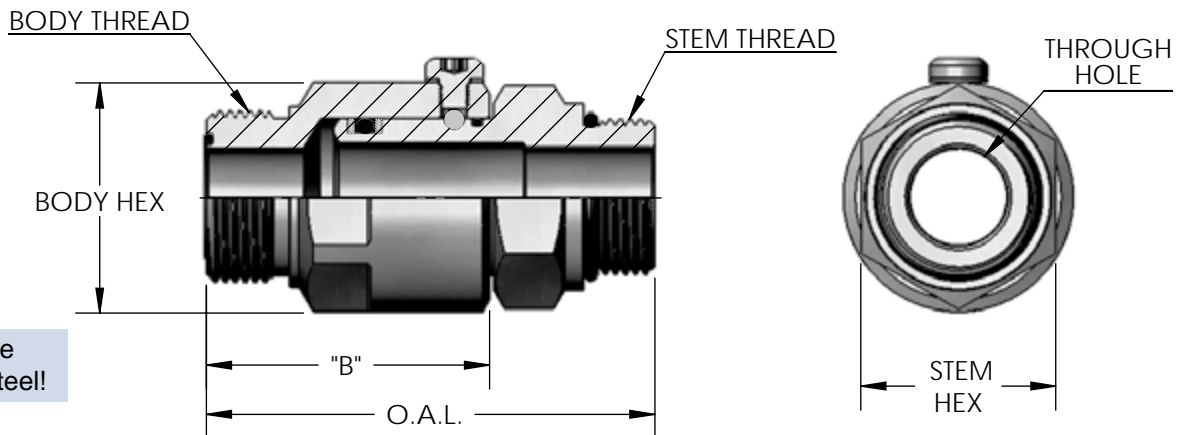
Male Face Seal (M.F.S.) X Male Face Seal (M.F.S.)



Not Available
In Stainless Steel!

| PART NUMBER | O.A.L. | DIM. B | STEM THREAD | BODY THREAD | STEM HEX | BODY HEX/WRENCH | MAX P.S.I.G. | THROUGH HOLE |
|-----------------------|--------|--------|--|--|----------|-----------------|--------------|--------------|
| SS 4 MFS 6 X MFS 6 | 2.421 | 1.640 | 11/16-16 U.N. | 11/16-16 U.N. | 0.750 | 1.000 | 5000 | 0.250 |
| SS 8 MFS 8 X MFS 8 | 2.633 | 1.709 | 13/16-16 U.N. | 13/16-16 U.N. | 1.000 | 1.375 | 5000 | 0.390 |
| SS 8 MFS 10 X MFS 10 | 2.935 | 1.815 | 1-14 U.N. | 1-14 U.N. | 1.125 | 1.375 | 5000 | 0.484 |
| SS 12 MFS 12 X MFS 12 | 3.120 | 1.900 | 1 ³ / ₁₆ -12 U.N. | 1 ³ / ₁₆ -12 U.N. | 1.250 | 1.500 | 4500 | 0.609 |
| SS 16 MFS 16 X MFS 16 | 3.639 | 2.360 | 1 ⁷ / ₁₆ -12 U.N. | 1 ⁷ / ₁₆ -12 U.N. | 1.500 | 1.750 | 4000 | 0.811 |
| SS 20 MFS 20 X MFS 20 | 3.859 | 2.500 | 1 ¹¹ / ₁₆ -12 U.N. | 1 ¹¹ / ₁₆ -12 U.N. | 1.750 | 2.125 | 4000 | 1.024 |
| SS 24 MFS 24 X MFS 24 | 4.479 | 3.050 | 2-12 U.N. | 2-12 U.N. | 2.125 | 2.375 | 4000 | 1.312 |

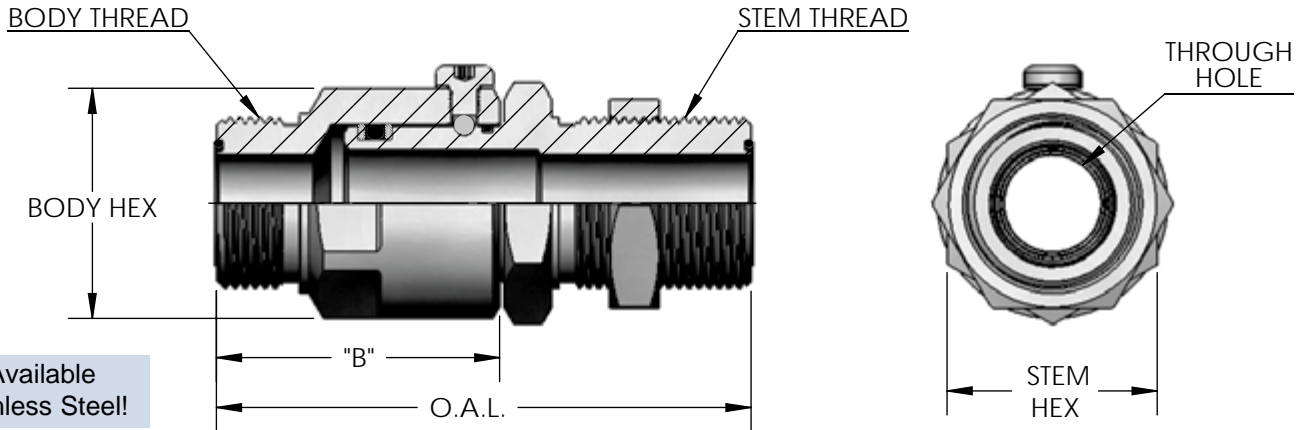
Male O-Ring (O.R.B.) X Male Face Seal (M.F.S.)



Not Available
In Stainless Steel!

| PART NUMBER | O.A.L. | DIM. B | STEM THREAD | BODY THREAD | STEM HEX | BODY HEX/WRENCH | MAX P.S.I.G. | THROUGH HOLE |
|----------------------|--------|--------|---|--|----------|-----------------|--------------|--------------|
| SS 4 MO 6 X MFS 6 | 2.460 | 1.640 | 9/16-18 U.N. | 11/16-16 U.N. | 0.750 | 1.000 | 5000 | 0.250 |
| SS 8 MO 8 X MFS 8 | 2.647 | 1.709 | 3/4-16 U.N. | 13/16-16 U.N. | 1.000 | 1.375 | 5000 | 0.390 |
| SS 8 MO 10 X MFS 10 | 2.875 | 1.815 | 7/8-14 U.N. | 1-14 U.N. | 1.000 | 1.375 | 5000 | 0.484 |
| SS 12 MO 12 X MFS 12 | 3.124 | 1.900 | 1 ¹ / ₁₆ -12 U.N. | 1 ³ / ₁₆ -12 U.N. | 1.375 | 1.500 | 4500 | 0.609 |
| SS 16 MO 16 X MFS 16 | 3.734 | 2.360 | 1 ⁵ / ₁₆ -12 U.N. | 1 ⁷ / ₁₆ -12 U.N. | 1.625 | 1.750 | 4000 | 0.811 |
| SS 20 MO 20 X MFS 20 | 3.965 | 2.500 | 1 ⁵ / ₈ -12 U.N. | 1 ¹¹ / ₁₆ -12 U.N. | 1.875 | 2.125 | 4000 | 1.024 |
| SS 24 MO 24 X MFS 24 | 4.645 | 3.050 | 1 ⁷ / ₈ -12 U.N. | 2-12 U.N. | 2.125 | 2.375 | 4000 | 1.312 |

Male Face Seal Bulkhead (M.F.S.B.) X Male Face Seal (M.F.S.)



| PART NUMBER | O.A.L. | DIM. B | STEM THREAD | BODY THREAD | STEM HEX | BODY HEX/WRENCH | MAX P.S.I.G. | THROUGH HOLE |
|------------------------|--------|--------|--|--|----------|-----------------|--------------|--------------|
| SS 4 MFSB 6 X MFS 6 | 3.320 | 1.640 | 11/16-16 U.N. | 11/16-16 U.N. | 1.000 | 1.000 | 5000 | 0.250 |
| SS 8 MFSB 8 X MFS 8 | 3.529 | 1.709 | 13/16-16 U.N. | 13/16-16 U.N. | 1.125 | 1.375 | 5000 | 0.390 |
| SS 8 MFSB 10 X MFS 10 | 3.895 | 1.815 | 1 -14 U.N. | 1-14 U.N. | 1.125 | 1.375 | 5000 | 0.484 |
| SS 12 MFSB 12 X MFS 12 | 3.980 | 1.900 | 1 ³ / ₁₆ -12 U.N. | 1 ³ / ₁₆ -12 U.N. | 1.500 | 1.500 | 4500 | 0.609 |
| SS 16 MFSB 16 X MFS 16 | 4.450 | 2.360 | 1 ⁷ / ₁₆ -12 U.N. | 1 ⁷ / ₁₆ -12 U.N. | 1.750 | 1.750 | 4000 | 0.811 |
| SS 20 MFSB 20 X MFS 20 | 4.640 | 2.500 | 1 ¹¹ / ₁₆ -12 U.N. | 1 ¹¹ / ₁₆ -12 U.N. | 2.000 | 2.125 | 4000 | 1.024 |

Stainless Steel Swivels Are Available In Many Types & Sizes

A large variety of Super Swivels are available in 304 & 440 Stainless Steel (pipe thread only).

Visit our web site: www.SuperSwivels.com to view or download a Stainless Steel Catalog



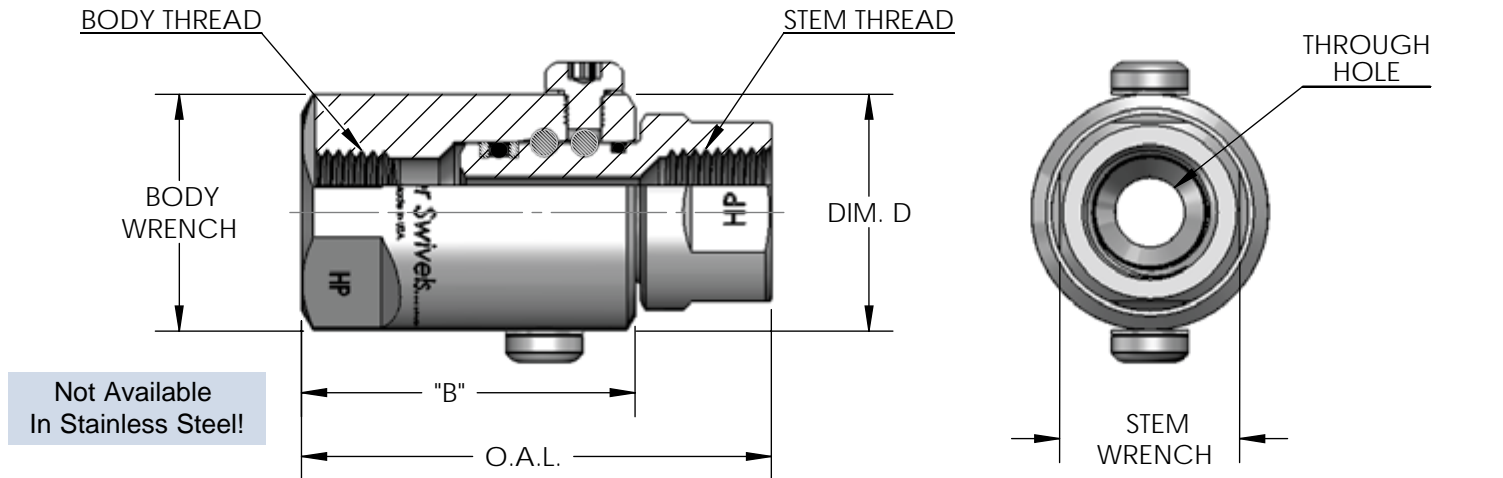
Super Swivels®
Switch Your Swivel!
STAINLESS STEEL
Hydraulic Live Swivels

Inline & 90° Swivels
304 & 440c Stainless Steel
Heavy Duty Ball Bearing, Rebuildable Design

www.SuperSwivels.com 763-784-5531
Email: sales@superswivels.com Fax: 763-784-7423

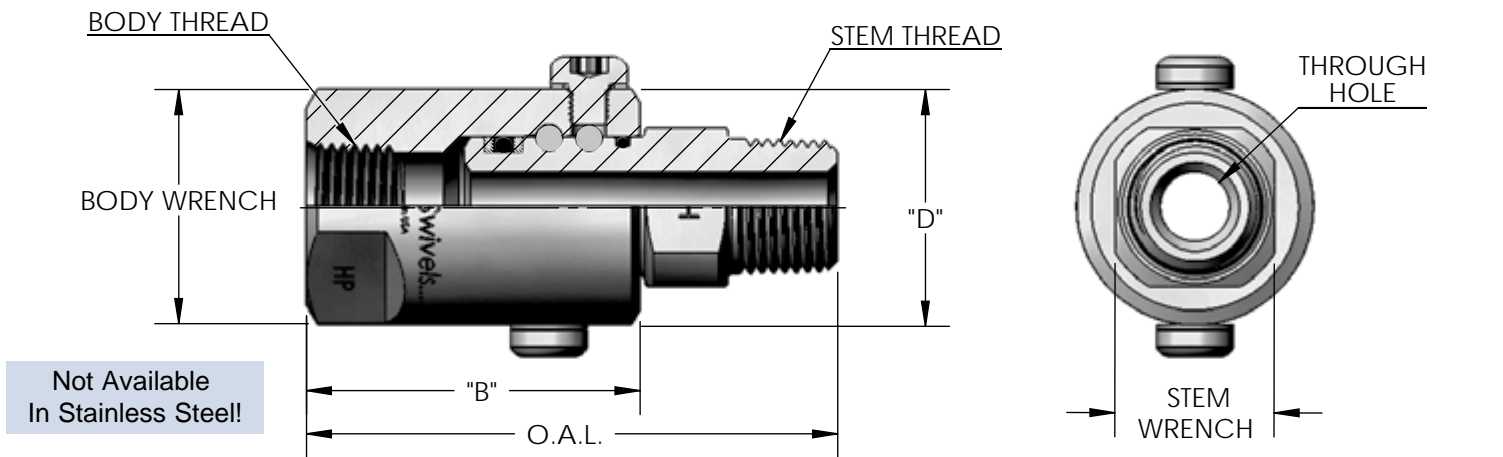


10,000 P.S.I. Female Pipe (N.P.T.F.) X Female Pipe (N.P.T.F.)



| PART NUMBER | O.A.L. | DIM. B | DIM. D | WRENCH | BODY THREAD | STEM THREAD | STEM WRENCH | MAX P.S.I.G. | THROUGH HOLE |
|-----------------------|--------|--------|--------|--------|-----------------|-----------------|-------------|--------------|--------------|
| SS 8 HP FP 50 X FP 50 | 2.935 | 2.085 | 1.480 | 1.250 | 1/2-14 N.P.T.F. | 1/2-14 N.P.T.F. | 1.125 | 10,000 | 0.437 |

10,000 P.S.I. Male Pipe (N.P.T.F.) X Female Pipe (N.P.T.F.)



| PART NUMBER | O.A.L. | DIM. B | DIM. D | WRENCH | BODY THREAD | STEM THREAD | STEM WRENCH | MAX P.S.I.G. | THROUGH HOLE |
|-----------------------|--------|--------|--------|--------|-----------------|-----------------|-------------|--------------|--------------|
| SS 8 HP MP 50 X FP 50 | 3.070 | 2.085 | 1.480 | 1.250 | 1/2-14 N.P.T.F. | 1/2-14 N.P.T.F. | 1.000 | 10,000 | 0.437 |

90° Swivels



Switch Your Swivel![®]

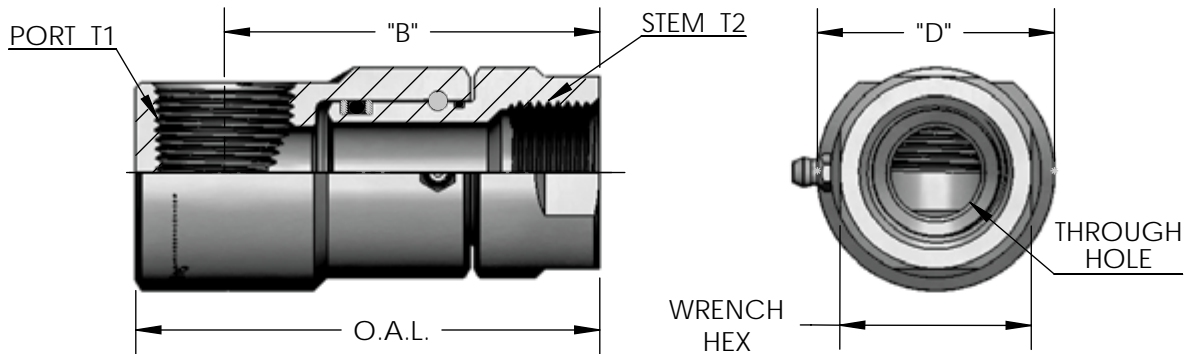
www.SuperSwivels.com

Email: sales@superswivels.com

763-784-5531

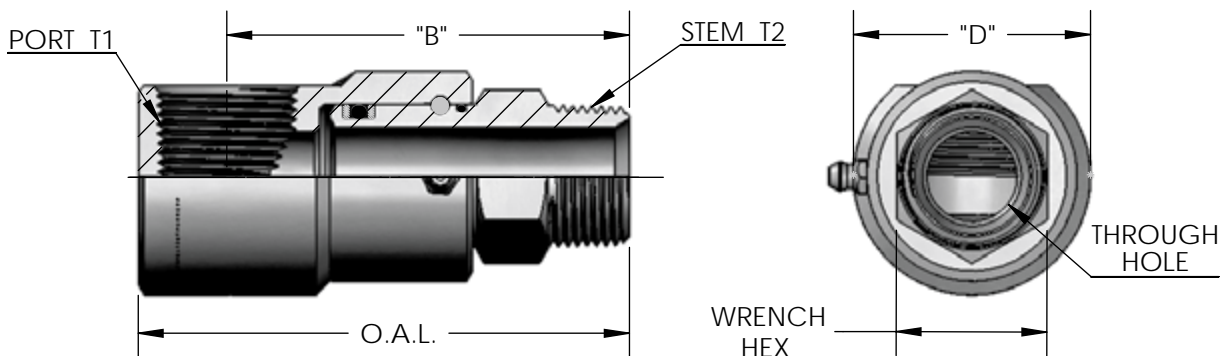
Fax: 763-784-7423

Female Pipe (N.P.T.F.) X Female Pipe (N.P.T.F.)



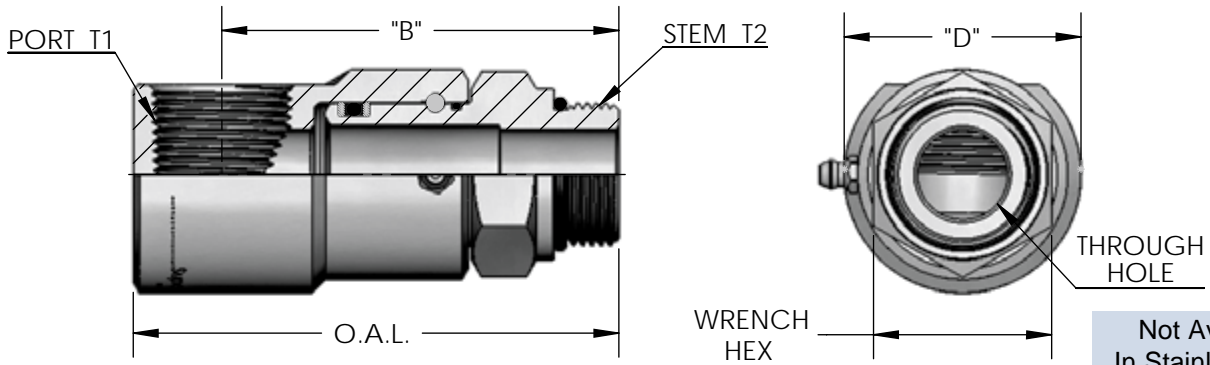
| PART NUMBER | O.A.L. | DIM. B | DIM. D Ø | WRENCH/HEX | PORT T1 | STEM T2 | SWG. RADIUS | MAX. P.S.I.G. | THROUGH HOLE |
|--------------------------|--------|--------|----------|------------|--|--|-------------|---------------|--------------|
| 9 SS 2 FP 12.5 X FP 12.5 | 1.784 | 1.524 | 0.879 | 0.625 | 1/8-27 N.P.T.F. | 1/8-27 N.P.T.F. | 0.375 | 5000 | 0.157 |
| 9 SS 4 FP 25 X FP 25 | 2.240 | 1.875 | 1.192 | 0.750 | 1/4-18 N.P.T.F. | 1/4-18 N.P.T.F. | 0.525 | 5000 | 0.250 |
| 9 SS 8 FP 38 X FP 38 | 2.540 | 2.060 | 1.495 | 0.875 | 3/8-18 N.P.T.F. | 3/8-18 N.P.T.F. | 0.588 | 5000 | 0.530 |
| 9 SS 8 FP 50 X FP 50 | 2.820 | 2.275 | 1.495 | 1.125 | 1/2-14 N.P.T.F. | 1/2-14 N.P.T.F. | 0.588 | 5000 | 0.530 |
| 9 SS 12 FP 75 X FP 75 | 3.030 | 2.365 | 1.710 | 1.375 | 3/4-14 N.P.T.F. | 3/4-14 N.P.T.F. | 0.662 | 4500 | 0.609 |
| 9 SS 16 FP 100 X FP 100 | 4.000 | 3.190 | 2.162 | 1.625 | 1-11 ¹ / ₂ N.P.T.F. | 1-11 ¹ / ₂ N.P.T.F. | 0.824 | 4000 | 0.827 |
| 9 SS 20 FP 125 X FP 125 | 4.365 | 3.395 | 2.702 | 2.000 | 1 ¹ / ₄ -11 ¹ / ₂ N.P.T.F. | 1 ¹ / ₄ -11 ¹ / ₂ N.P.T.F. | 1.049 | 4000 | 1.181 |
| 9 SS 24 FP 150 X FP 150 | 5.605 | 4.375 | 2.917 | 2.375 | 1 ¹ / ₂ -11 ¹ / ₂ N.P.T.F. | 1 ¹ / ₂ -11 ¹ / ₂ N.P.T.F. | 1.076 | 4000 | 1.312 |
| 9 SS 32 FP 200 X FP 200 | 6.420 | 5.050 | 3.667 | 2.875 | 2-11 ¹ / ₂ N.P.T.F. | 2-11 ¹ / ₂ N.P.T.F. | 1.386 | 3000 | 1.781 |

Male Pipe (N.P.T.F.) X Female Pipe (N.P.T.F.)



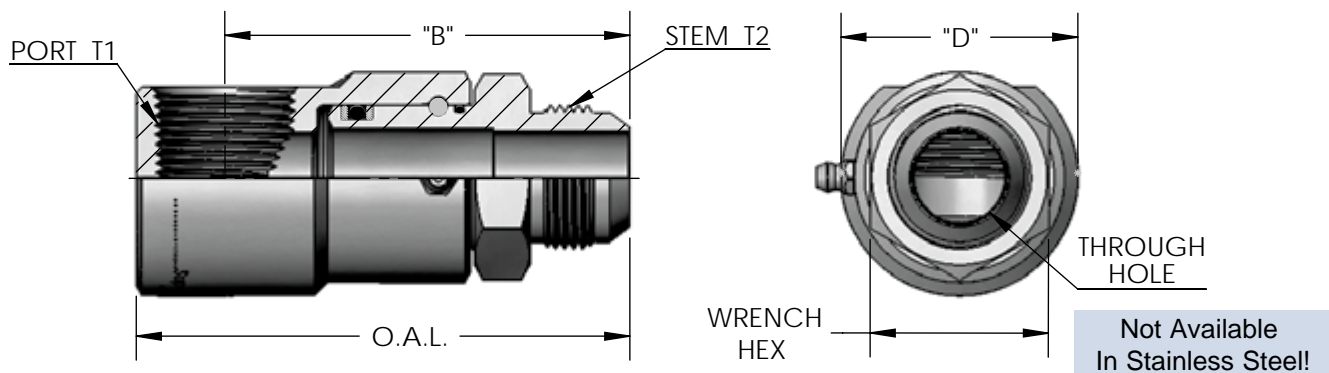
| PART NUMBER | O.A.L. | DIM. B | DIM. D Ø | WRENCH/HEX | PORT T1 | STEM T2 | SWG. RADIUS | MAX. P.S.I.G. | THROUGH HOLE |
|--------------------------|--------|--------|----------|------------|--|--|-------------|---------------|--------------|
| 9 SS 2 MP 12.5 X FP 12.5 | 1.855 | 1.595 | 0.879 | 0.437 | 1/8-27 N.P.T.F. | 1/8-27 N.P.T.F. | 0.375 | 5000 | 0.157 |
| 9 SS 4 MP 25 X FP 25 | 2.370 | 2.000 | 1.192 | 0.625 | 1/4-18 N.P.T.F. | 1/4-18 N.P.T.F. | 0.525 | 5000 | 0.250 |
| 9 SS 4 MP 38 X FP 25 | 2.450 | 2.080 | 1.192 | 0.750 | 1/4-18 N.P.T.F. | 3/8-18 N.P.T.F. | 0.525 | 5000 | 0.250 |
| 9 SS 7 MP 38 X FP 38 | 3.085 | 2.527 | 1.357 | 0.750 | 3/8-18 N.P.T.F. | 3/8-18 N.P.T.F. | 0.565 | 5000 | 0.406 |
| 9 SS 8 MP 38 X FP 38 | 2.960 | 2.480 | 1.495 | 1.000 | 3/8-18 N.P.T.F. | 3/8-18 N.P.T.F. | 0.588 | 5000 | 0.406 |
| 9 SS 8 MP 50 X FP 50 | 3.170 | 2.630 | 1.495 | 1.000 | 1/2-14 N.P.T.F. | 1/2-14 N.P.T.F. | 0.588 | 5000 | 0.530 |
| 9 SS 12 MP 75 X FP 75 | 3.430 | 2.760 | 1.710 | 1.125 | 3/4-14 N.P.T.F. | 3/4-14 N.P.T.F. | 0.643 | 4500 | 0.609 |
| 9 SS 16 MP 100 X FP 100 | 4.475 | 3.667 | 2.162 | 1.375 | 1-11 ¹ / ₂ N.P.T.F. | 1-11 ¹ / ₂ N.P.T.F. | 0.824 | 4000 | 0.827 |
| 9 SS 20 MP 125 X FP 125 | 4.873 | 3.905 | 2.702 | 1.750 | 1 ¹ / ₄ -11 ¹ / ₂ N.P.T.F. | 1 ¹ / ₄ -11 ¹ / ₂ N.P.T.F. | 1.049 | 4000 | 1.181 |
| 9 SS 24 MP 150 X FP 150 | 6.185 | 4.955 | 2.917 | 2.125 | 1 ¹ / ₂ -11 ¹ / ₂ N.P.T.F. | 1 ¹ / ₂ -11 ¹ / ₂ N.P.T.F. | 1.076 | 4000 | 1.312 |
| 9 SS 32 MP 200 X FP 200 | 7.105 | 5.765 | 3.667 | 2.500 | 2-11 ¹ / ₂ N.P.T.F. | 2-11 ¹ / ₂ N.P.T.F. | 1.386 | 3000 | 1.781 |

Male O-Ring (O.R.B.) X Female Pipe (N.P.T.F.)



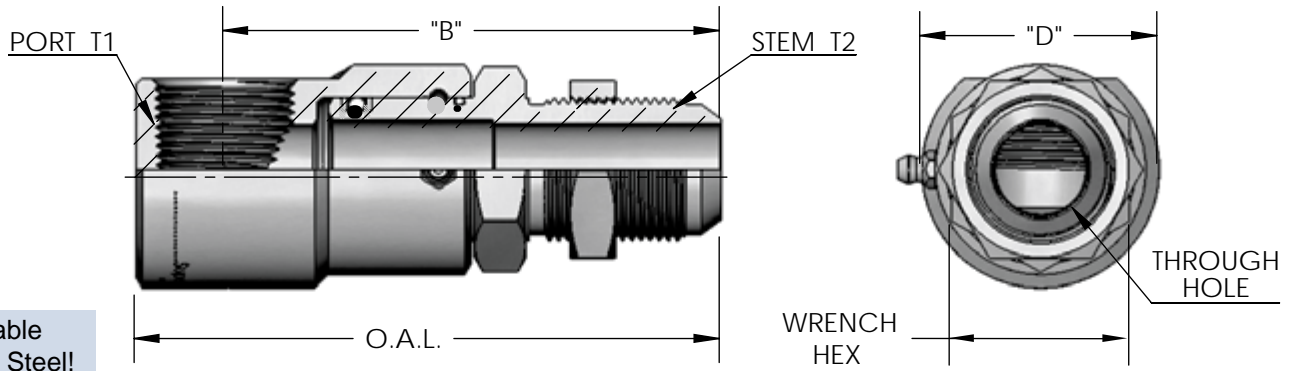
| PART NUMBER | O.A.L. | DIM. B | DIM. D Ø | WRENCH/HEX | PORT T1 | STEM T2 | SWG. RADIUS | MAX. P.S.I.G. | THROUGH HOLE |
|------------------------|--------|--------|----------|------------|-----------------------|----------------|-------------|---------------|--------------|
| 9 SS 4 MO 4 X FP 25 | 2.460 | 2.090 | 1.192 | 0.625 | 1/4-18 N.P.T.F. | 7/16-20 U.N. | 0.525 | 5000 | 0.172 |
| 9 SS 4 MO 6 X FP 25 | 2.460 | 2.090 | 1.192 | 0.750 | 1/4-18 N.P.T.F. | 9/16-18 U.N. | 0.525 | 5000 | 0.250 |
| 9 SS 8 MO 8 X FP 38 | 2.790 | 2.310 | 1.495 | 1.000 | 3/8-18 N.P.T.F. | 3/4-16 U.N. | 0.588 | 5000 | 0.391 |
| 9 SS 8 MO 10 X FP 38 | 2.910 | 2.430 | 1.495 | 1.000 | 3/8-18 N.P.T.F. | 7/8-14 U.N. | 0.588 | 5000 | 0.484 |
| 9 SS 8 MO 8 X FP 50 | 2.923 | 2.376 | 1.495 | 1.000 | 1/2-14 N.P.T.F. | 3/4-16 U.N. | 0.588 | 5000 | 0.391 |
| 9 SS 8 MO 10 X FP 50 | 3.045 | 2.498 | 1.495 | 1.000 | 1/2-14 N.P.T.F. | 7/8-14 U.N. | 0.588 | 5000 | 0.484 |
| 9 SS 12 MO 12 X FP 75 | 3.419 | 2.754 | 1.710 | 1.375 | 3/4-14 N.P.T.F. | 1 1/16-12 U.N. | 0.643 | 4500 | 0.609 |
| 9 SS 16 MO 16 X FP 100 | 4.424 | 3.616 | 2.162 | 1.625 | 1-11 1/2 N.P.T.F. | 1 5/16-12 U.N. | 0.827 | 4000 | 0.827 |
| 9 SS 20 MO 20 X FP 125 | 4.833 | 3.865 | 2.702 | 1.875 | 1 1/4-11 1/2 N.P.T.F. | 1 5/8-12 U.N. | 1.049 | 4000 | 1.078 |
| 9 SS 24 MO 24 X FP 150 | 6.105 | 4.875 | 2.917 | 2.125 | 1 1/2-11 1/2 N.P.T.F. | 1 7/8-12 U.N. | 1.076 | 4000 | 1.312 |

Male J.I.C. (37°) X Female Pipe (N.P.T.F.)



| PART NUMBER | O.A.L. | DIM. B | DIM. D Ø | WRENCH/HEX | PORT T1 | STEM T2 | SWG. RADIUS | MAX. P.S.I.G. | THROUGH HOLE |
|------------------------|--------|--------|----------|------------|-----------------------|----------------|-------------|---------------|--------------|
| 9 SS 4 MJ 4 X FP 25 | 2.570 | 2.200 | 1.192 | 0.750 | 1/4-18 N.P.T.F. | 7/16-20 U.N. | 0.525 | 5000 | 0.172 |
| 9 SS 4 MJ 6 X FP 25 | 2.590 | 2.220 | 1.192 | 0.750 | 1/4-18 N.P.T.F. | 9/16-18 U.N. | 0.525 | 5000 | 0.250 |
| 9 SS 8 MJ 8 X FP 38 | 2.940 | 2.460 | 1.495 | 1.000 | 3/8-18 N.P.T.F. | 3/4-16 U.N. | 0.651 | 5000 | 0.391 |
| 9 SS 8 MJ 10 X FP 38 | 3.040 | 2.560 | 1.495 | 1.000 | 3/8-18 N.P.T.F. | 7/8-14 U.N. | 0.651 | 5000 | 0.484 |
| 9 SS 8 MJ 8 X FP 50 | 3.070 | 2.523 | 1.495 | 1.000 | 1/2-14 N.P.T.F. | 3/4-16 U.N. | 0.581 | 5000 | 0.391 |
| 9 SS 8 MJ 10 X FP 50 | 3.170 | 2.623 | 1.495 | 1.000 | 1/2-14 N.P.T.F. | 7/8-14 U.N. | 0.581 | 5000 | 0.484 |
| 9 SS 12 MJ 12 X FP 75 | 3.555 | 2.890 | 1.710 | 1.375 | 3/4-14 N.P.T.F. | 1 1/16-12 U.N. | 0.643 | 4500 | 0.609 |
| 9 SS 16 MJ 16 X FP 100 | 4.495 | 3.687 | 2.162 | 1.625 | 1-11 1/2 N.P.T.F. | 1 1/16-12 U.N. | 0.741 | 4000 | 0.827 |
| 9 SS 20 MJ 20 X FP 125 | 4.913 | 3.945 | 2.702 | 1.750 | 1 1/4-11 1/2 N.P.T.F. | 1 5/8-12 U.N. | 1.049 | 4000 | 1.078 |
| 9 SS 24 MJ 24 X FP 150 | 6.275 | 5.045 | 2.917 | 2.125 | 1 1/2-11 1/2 N.P.T.F. | 1 7/8-12 U.N. | 1.072 | 4000 | 1.312 |

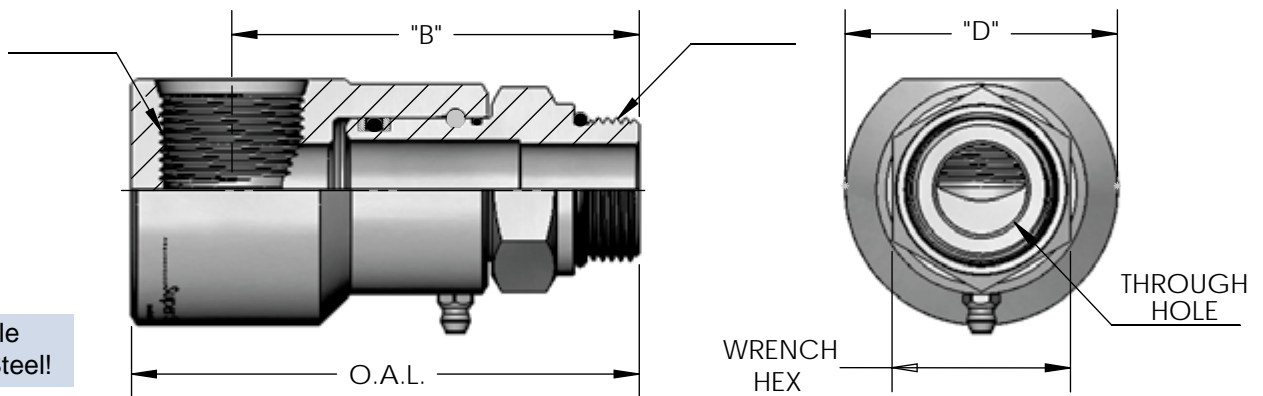
Male J.I.C. Bulkhead (37°) X Female Pipe (N.P.T.F.)



Not Available
In Stainless Steel!

| PART NUMBER | O.A.L. | DIM. B | DIM. D Ø | WRENCH/HEX | PORT T1 | STEM T2 | SWG. RADIUS | MAX. P.S.I.G. | THROUGH HOLE |
|-------------------------|--------|--------|----------|------------|----------------------|----------------|-------------|---------------|--------------|
| 9 SS 4 MJB 6 X FP 25 | 3.230 | 2.860 | 1.190 | .812 | 1/4-18 N.P.T.F. | 9/16-18 U.N. | 0.530 | 5000 | 0.250 |
| 9 SS 8 MJB 8 X FP 38 | 3.670 | 3.190 | 1.495 | 1.000 | 3/8-18 N.P.T.F. | 3/4-16 U.N. | 0.651 | 5000 | 0.406 |
| 9 SS 8 MJB 8 X FP 50 | 3.805 | 3.258 | 1.495 | 1.000 | 1/2-14 N.P.T.F. | 3/4-16 U.N. | 0.581 | 5000 | 0.406 |
| 9 SS 8 MJB 10 X FP 38 | 4.025 | 3.478 | 1.495 | 1.125 | 3/8-18 N.P.T.F. | 7/8-14 U.N. | 0.650 | 5000 | 0.484 |
| 9 SS 8 MJB 10 X FP 50 | 4.025 | 3.478 | 1.495 | 1.125 | 1/2-14 N.P.T.F. | 7/8-14 U.N. | 0.581 | 5000 | 0.484 |
| 9 SS 12 MJB 12 X FP 75 | 4.475 | 3.810 | 1.710 | 1.375 | 3/4-14 N.P.T.F. | 1 1/16-12 U.N. | 0.643 | 4500 | 0.609 |
| 9 SS 16 MJB 16 X FP 100 | 5.330 | 4.522 | 2.162 | 1.625 | 1-1 1/2 N.P.T.F. | 1 5/16-12 U.N. | 0.741 | 4000 | 0.827 |
| 9 SS 20 MJB 20 X FP 125 | 5.808 | 4.840 | 2.702 | 1.875 | 1 1/4-1 1/2 N.P.T.F. | 1 5/8-12 U.N. | 1.049 | 4000 | 1.073 |

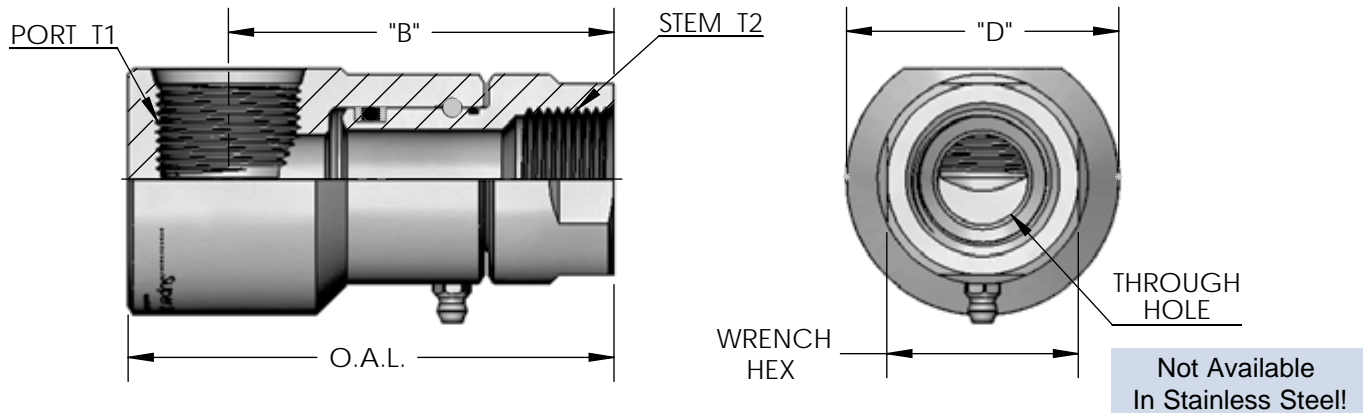
Male O-Ring (O.R.B.) X Female O-Ring (O.R.B.)



Not Available
In Stainless Steel!

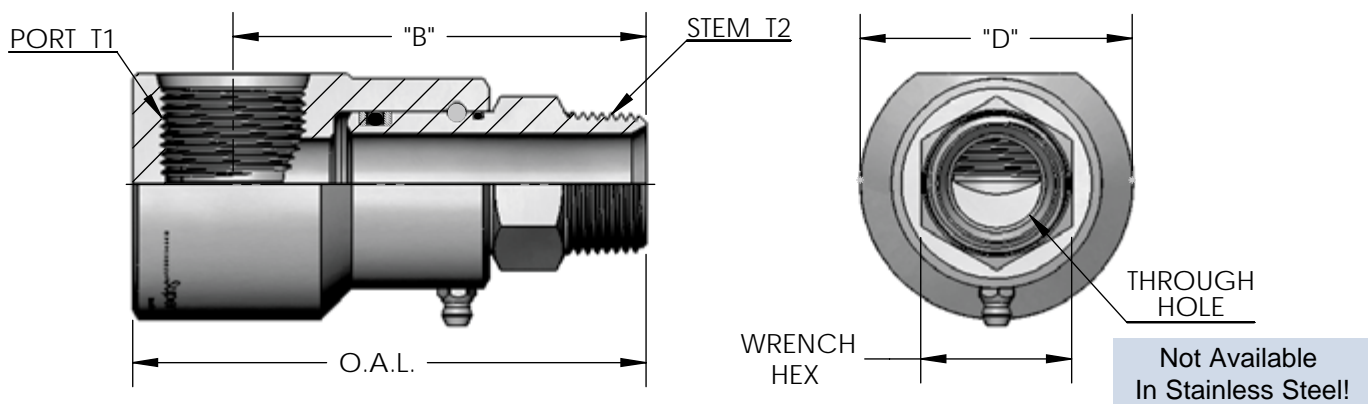
| PART NUMBER | O.A.L. | DIM. B | DIM. D Ø | WRENCH/HEX | PORT T1 | STEM T2 | SWG. RADIUS | MAX. P.S.I.G. | THROUGH HOLE |
|-----------------------|--------|--------|----------|------------|----------------|----------------|-------------|---------------|--------------|
| 9 SS 4 MO 4 X FO 6 | 2.727 | 2.215 | 1.292 | 0.625 | 9/16-18 U.N. | 7/16-20 U.N. | 0.541 | 5000 | 0.172 |
| 9 SS 4 MO 6 X FO 6 | 2.727 | 2.215 | 1.292 | 0.750 | 9/16-18 U.N. | 9/16-18 U.N. | 0.541 | 5000 | 0.250 |
| 9 SS 8 MO 8 X FO 8 | 2.920 | 2.375 | 1.662 | 1.000 | 3/4-16 U.N. | 3/4-16 U.N. | 0.703 | 5000 | 0.391 |
| 9 SS 8 MO 10 X FO 8 | 3.050 | 2.500 | 1.662 | 1.000 | 3/4-16 U.N. | 7/8-14 U.N. | 0.703 | 5000 | 0.484 |
| 9 SS 12 MO 12 X FO 12 | 3.709 | 2.884 | 2.172 | 1.375 | 1 1/16-12 U.N. | 1 1/16-12 U.N. | 0.900 | 4500 | 0.609 |
| 9 SS 16 MO 16 X FO 16 | 4.624 | 3.709 | 2.482 | 1.625 | 1 5/16-12 U.N. | 1 5/16-12 U.N. | 1.009 | 4000 | 0.827 |
| 9 SS 20 MO 20 X FO 20 | 5.127 | 4.044 | 2.977 | 1.875 | 1 5/8-12 U.N. | 1 5/8-12 U.N. | 1.184 | 4000 | 1.078 |

Female Pipe (N.P.T.F.) X Female O-Ring (O.R.B.)



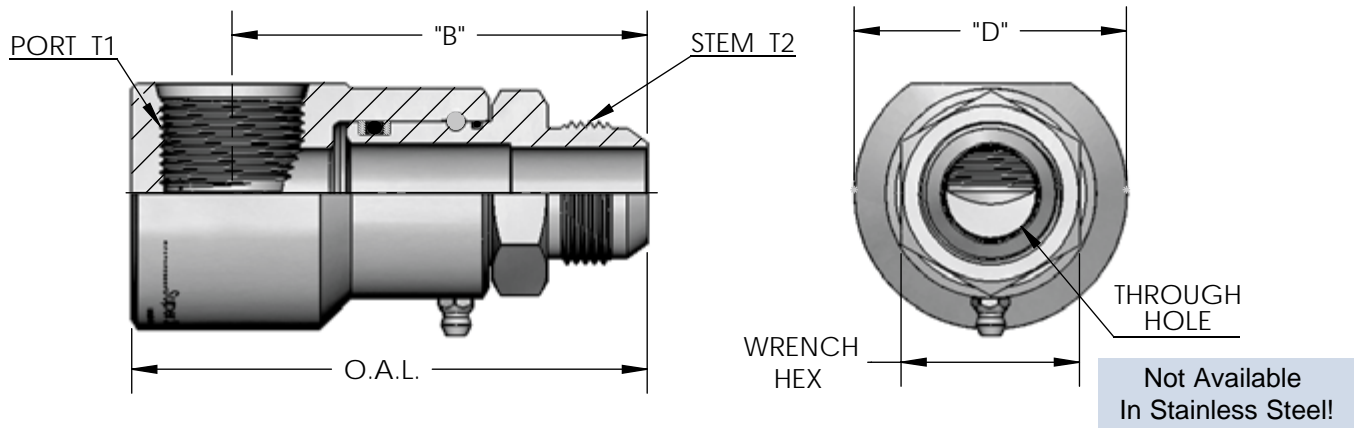
| PART NUMBER | O.A.L. | DIM. B | DIM. D Ø | WRENCH/HEX | PORT T1 | STEM T2 | SWG. RADIUS | MAX. P.S.I.G. | THROUGH HOLE |
|------------------------|--------|--------|----------|------------|----------------|----------------------|-------------|---------------|--------------|
| 9 SS 4 FP 25 X FO 6 | 2.510 | 2.000 | 1.292 | 0.750 | 9/16-18 U.N. | 1/4-18 N.P.T.F. | 0.541 | 5000 | 0.250 |
| 9 SS 8 FP 38 X FO 8 | 2.670 | 2.125 | 1.662 | 0.875 | 3/4-16 U.N. | 3/8-18 N.P.T.F. | 0.703 | 5000 | 0.530 |
| 9 SS 8 FP 50 X FO 8 | 2.820 | 2.270 | 1.662 | 1.125 | 3/4-16 U.N. | 1/2-14 N.P.T.F. | 0.703 | 5000 | 0.530 |
| 9 SS 12 FP 75 X FO 12 | 3.320 | 2.500 | 2.172 | 1.375 | 1 1/16-12 U.N. | 3/4-14 N.P.T.F. | 0.900 | 4500 | 0.609 |
| 9 SS 16 FP 100 X FO 16 | 4.200 | 3.280 | 2.482 | 1.625 | 1 5/16-12 U.N. | 1-1 1/2 N.P.T.F. | 1.009 | 4000 | 0.827 |
| 9 SS 20 FP 125 X FO 20 | 4.660 | 3.574 | 2.977 | 2.000 | 1 5/8-12 U.N. | 1 1/4-1 1/2 N.P.T.F. | 1.185 | 4000 | 1.181 |

Male Pipe (N.P.T.F.) X Female O-Ring (O.R.B.)



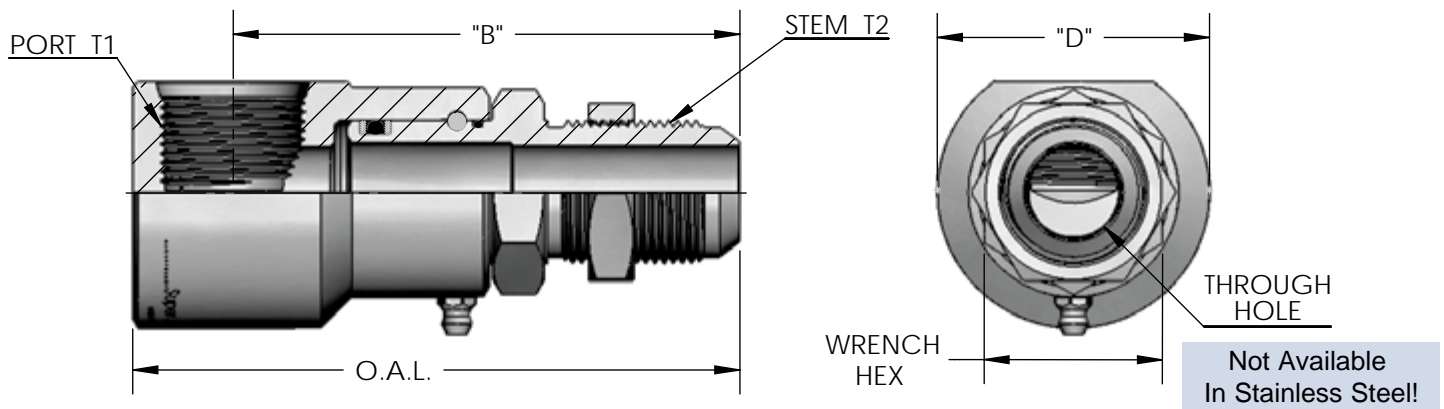
| PART NUMBER | O.A.L. | DIM. B | DIM. D Ø | WRENCH/HEX | PORT T1 | STEM T2 | SWG. RADIUS | MAX. P.S.I.G. | THROUGH HOLE |
|------------------------|--------|--------|----------|------------|----------------|----------------------|-------------|---------------|--------------|
| 9 SS 4 MP 25 X FO 6 | 2.640 | 2.130 | 1.292 | 0.625 | 9/16-18 U.N. | 1/4-18 N.P.T.F. | 0.541 | 5000 | 0.250 |
| 9 SS 4 MP 38 X FO 6 | 2.720 | 2.200 | 1.292 | 0.750 | 9/16-18 U.N. | 3/8-18 N.P.T.F. | 0.541 | 5000 | 0.250 |
| 9 SS 8 MP 38 X FO 8 | 3.100 | 2.550 | 1.662 | 1.000 | 3/4-16 U.N. | 3/8-18 N.P.T.F. | 0.703 | 5000 | 0.406 |
| 9 SS 8 MP 50 X FO 8 | 3.170 | 2.620 | 1.662 | 1.000 | 3/4-16 U.N. | 1/2-14 N.P.T.F. | 0.703 | 5000 | 0.530 |
| 9 SS 12 MP 75 X FO 12 | 3.720 | 2.895 | 2.172 | 1.125 | 1 1/16-12 U.N. | 3/4-14 N.P.T.F. | 0.900 | 4500 | 0.609 |
| 9 SS 16 MP 100 X FO 16 | 4.675 | 3.760 | 2.482 | 1.375 | 1 5/16-12 U.N. | 1-1 1/2 N.P.T.F. | 1.009 | 4000 | 0.827 |
| 9 SS 20 MP 125 X FO 20 | 5.167 | 4.084 | 2.977 | 1.750 | 1 5/8-12 U.N. | 1 1/4-1 1/2 N.P.T.F. | 1.184 | 4000 | 1.181 |

Male J.I.C. (37°) X Female O-Ring (O.R.B.)



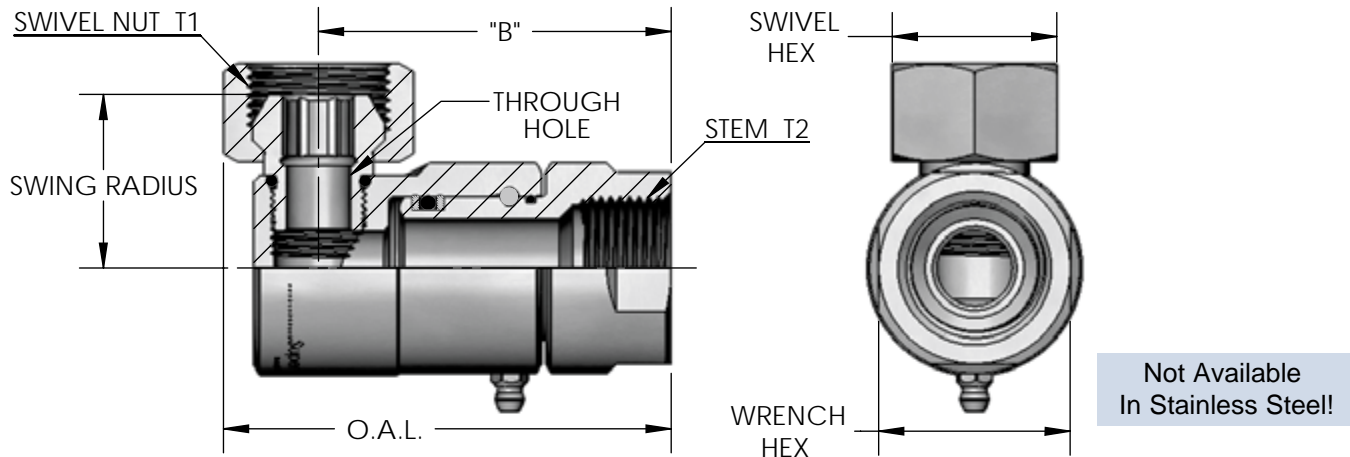
| PART NUMBER | O.A.L. | DIM. B | DIM. D Ø | WRENCH/HEX | PORT T1 | STEM T2 | SWG. RADIUS | MAX. P.S.I.G. | THROUGH HOLE |
|-----------------------|--------|--------|----------|------------|----------------|----------------|-------------|---------------|--------------|
| 9 SS 4 MJ 4 X FO 6 | 2.837 | 2.325 | 1.292 | 0.750 | 9/16-18 U.N. | 7/16-20 U.N. | 0.541 | 5000 | 0.172 |
| 9 SS 4 MJ 6 X FO 6 | 2.857 | 2.345 | 1.292 | 0.750 | 9/16-18 U.N. | 9/16-18 U.N. | 0.541 | 5000 | 0.250 |
| 9 SS 8 MJ 8 X FO 8 | 3.070 | 2.520 | 1.662 | 1.000 | 3/4-16 U.N. | 3/4-16 U.N. | 0.703 | 5000 | 0.391 |
| 9 SS 8 MJ 10 X FO 8 | 3.170 | 2.600 | 1.662 | 1.000 | 3/4-16 U.N. | 7/8-14 U.N. | 0.703 | 5000 | 0.484 |
| 9 SS 12 MJ 12 X FO 12 | 3.845 | 3.020 | 2.172 | 1.375 | 1 1/16-12 U.N. | 1 1/16-12 U.N. | 0.900 | 4500 | 0.609 |
| 9 SS 16 MJ 16 X FO 16 | 4.695 | 3.780 | 2.482 | 1.625 | 1 5/16-12 U.N. | 1 5/16-12 U.N. | 1.009 | 4000 | 0.827 |
| 9 SS 20 MJ 20 X FO 20 | 5.207 | 4.124 | 2.977 | 1.750 | 1 5/8-12 U.N. | 1 5/8-12 U.N. | 1.184 | 4000 | 1.078 |

Male J.I.C. Bulkhead (37°) X Female O-Ring (O.R.B.)



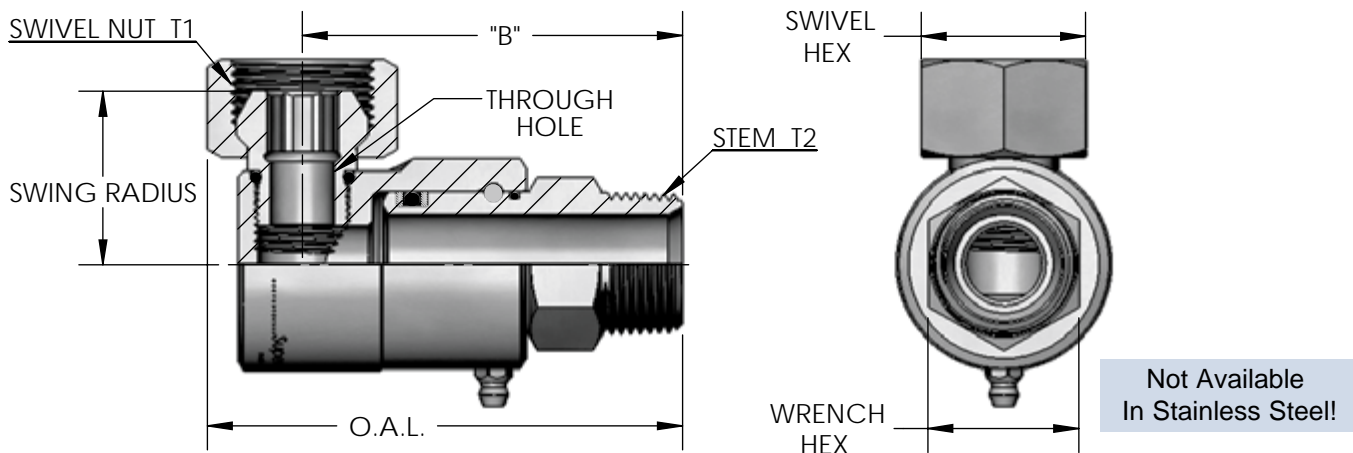
| PART NUMBER | O.A.L. | DIM. B | DIM. D Ø | WRENCH/HEX | PORT T1 | STEM T2 | SWG. RADIUS | MAX. P.S.I.G. | THROUGH HOLE |
|------------------------|--------|--------|----------|------------|----------------|----------------|-------------|---------------|--------------|
| 9 SS 4 MJB 6 X FO 6 | 3.500 | 2.990 | 1.290 | .812 | 9/16-18 U.N. | 9/16-18 U.N. | 0.580 | 5000 | 0.250 |
| 9 SS 8 MJB 8 X FO 8 | 3.800 | 3.240 | 1.662 | 1.000 | 3/4-16 U.N. | 3/4-16 U.N. | 0.703 | 5000 | 0.391 |
| 9 SS 8 MJB 10 X FO 8 | 4.030 | 3.480 | 1.662 | 1.125 | 3/4-16 U.N. | 7/8-14 U.N. | 0.703 | 5000 | 0.484 |
| 9 SS 12 MJB 12 X FO 12 | 4.765 | 3.940 | 2.172 | 1.375 | 1 1/16-12 U.N. | 1 1/16-12 U.N. | 0.900 | 4500 | 0.609 |
| 9 SS 16 MJB 16 X FO 16 | 5.530 | 4.615 | 2.482 | 1.625 | 1 5/16-12 U.N. | 1 5/16-12 U.N. | 1.009 | 4000 | 0.827 |
| 9 SS 20 MJB 20 X FO 20 | 6.102 | 5.019 | 2.977 | 1.875 | 1 5/8-12 U.N. | 1 5/8-12 U.N. | 1.184 | 4000 | 1.078 |

Female Pipe (N.P.T.F.) X Pipe Swivel (N.P.S.M.)



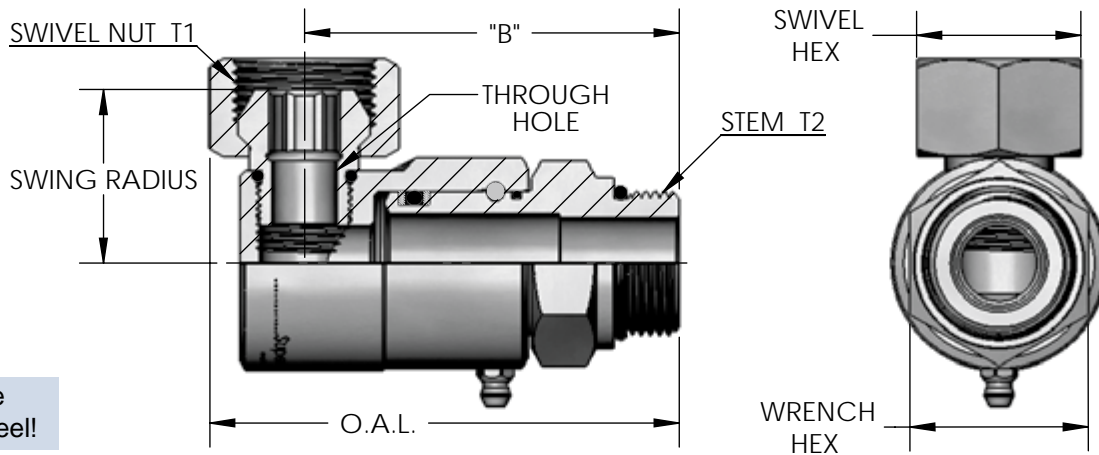
| PART NUMBER | O.A.L. | DIM. B | SWIVEL HEX | WRENCH/HEX | SWIVEL NUT T1 | STEM T2 | SWG. RADIUS | MAX. P.S.I.G. | THROUGH HOLE |
|-------------------------|--------|--------|------------|------------|-----------------------|-----------------------|-------------|---------------|--------------|
| 9 SS 4 FP 25 X PS 25 | 2.510 | 2.000 | 0.687 | 0.750 | 1/4-18 N.P.S.M. | 1/4-18 N.P.T.F. | 1.326 | 3500 | 0.218 |
| 9 SS 4 FP 25 X PS 38 | 2.510 | 2.000 | 0.875 | 0.750 | 3/8-18 N.P.S.M. | 1/4-18 N.P.T.F. | 1.555 | 3500 | 0.250 |
| 9 SS 8 FP 38 X PS 38 | 2.670 | 2.120 | 0.875 | 0.875 | 3/8-18 N.P.S.M. | 3/8-18 N.P.T.F. | 1.437 | 3500 | 0.327 |
| 9 SS 8 FP 50 X PS 50 | 2.850 | 2.270 | 1.000 | 1.125 | 1/2-14 N.P.S.M. | 1/2-14 N.P.T.F. | 1.521 | 3500 | 0.390 |
| 9 SS 12 FP 75 X PS 75 | 3.080 | 2.360 | 1.250 | 1.375 | 3/4-14 N.P.S.M. | 3/4-14 N.P.T.F. | 1.664 | 3500 | 0.521 |
| 9 SS 16 FP 100 X PS 100 | 3.850 | 2.980 | 1.500 | 1.625 | 1-11 1/2 N.P.S.M. | 1-11 1/2 N.P.T.F. | 1.956 | 3500 | 0.590 |
| 9 SS 20 FP 125 X PS 125 | 4.365 | 3.285 | 1.875 | 2.000 | 1 1/4-11 1/2 N.P.S.M. | 1 1/4-11 1/2 N.P.T.F. | 2.570 | 3500 | 0.906 |
| 9 SS 24 FP 150 X PS 150 | 5.600 | 4.375 | 2.125 | 2.630 | 1 1/2-11 1/2 N.P.S.M. | 1 1/2-11 1/2 N.P.T.F. | 2.630 | 3500 | 1.040 |

Male Pipe (N.P.T.F.) X Pipe Swivel (N.P.S.M.)



| PART NUMBER | O.A.L. | DIM. B | SWIVEL HEX | WRENCH/HEX | SWIVEL NUT T1 | STEM T2 | SWG. RADIUS | MAX. P.S.I.G. | THROUGH HOLE |
|-------------------------|--------|--------|------------|------------|-----------------------|-----------------------|-------------|---------------|--------------|
| 9 SS 4 MP 25 X PS 25 | 2.640 | 2.120 | 0.687 | 0.625 | 1/4-18 N.P.S.M. | 1/4-18 N.P.T.F. | 1.326 | 3500 | 0.218 |
| 9 SS 4 MP 38 X PS 25 | 2.720 | 2.210 | 0.687 | 0.750 | 1/4-18 N.P.S.M. | 3/8-18 N.P.T. | 1.326 | 3500 | 0.218 |
| 9 SS 4 MP 25 X PS 38 | 2.640 | 2.120 | 0.875 | 0.625 | 3/8-18 N.P.S.M. | 1/4-18 N.P.T.F. | 1.555 | 3500 | 0.250 |
| 9 SS 4 MP 38 X PS 38 | 2.720 | 2.210 | 0.875 | 0.750 | 3/8-18 N.P.S.M. | 3/8-18 N.P.T. | 1.555 | 3500 | 0.250 |
| 9 SS 8 MP 38 X PS 38 | 3.095 | 2.548 | 0.875 | 1.000 | 3/8-18 N.P.S.M. | 3/8-18 N.P.T.F. | 1.437 | 3500 | 0.327 |
| 9 SS 8 MP 50 X PS 50 | 3.170 | 2.620 | 1.000 | 1.000 | 1/2-14 N.P.S.M. | 1/2-14 N.P.T.F. | 1.521 | 3500 | 0.390 |
| 9 SS 12 MP 75 X PS 75 | 3.481 | 2.760 | 1.250 | 1.125 | 3/4-14 N.P.S.M. | 3/4-14 N.P.T.F. | 1.664 | 3500 | 0.521 |
| 9 SS 16 MP 100 X PS 100 | 4.327 | 3.462 | 1.500 | 1.375 | 1-11 1/2 N.P.S.M. | 1-11 1/2 N.P.T.F. | 1.956 | 3500 | 0.590 |
| 9 SS 20 MP 125 X PS 125 | 4.877 | 3.795 | 1.875 | 1.750 | 1 1/4-11 1/2 N.P.S.M. | 1 1/4-11 1/2 N.P.T.F. | 2.570 | 3500 | 0.906 |
| 9 SS 24 MP 150 X PS 150 | 6.185 | 4.955 | 2.125 | 2.000 | 1 1/2-11 1/2 N.P.S.M. | 1 1/2-11 1/2 N.P.T.F. | 2.630 | 3500 | 1.040 |

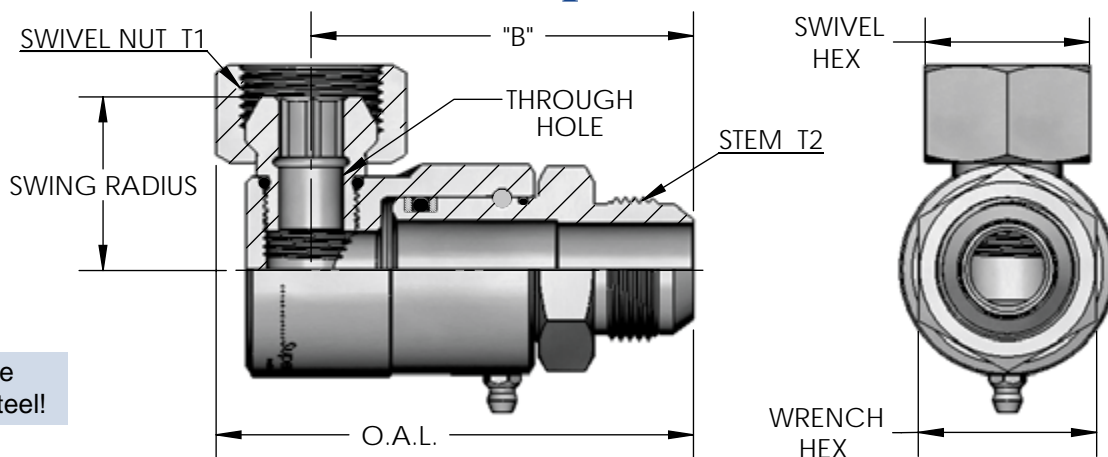
Male O-Ring (O.R.B.) X Pipe Swivel (N.P.S.M.)



Not Available
In Stainless Steel!

| PART NUMBER | O.A.L. | DIM. B | SWIVEL HEX | WRENCH/HEX | SWIVEL NUT T1 | STEM T2 | SWG. RADIUS | MAX. P.S.I.G. | THROUGH HOLE |
|------------------------|--------|--------|------------|------------|-----------------------|----------------|-------------|---------------|--------------|
| 9 SS 4 MO 4 X PS 25 | 2.727 | 2.215 | 0.687 | 0.625 | 1/4-18 N.P.S.M. | 7/16-20 U.N. | 1.326 | 3500 | 0.172 |
| 9 SS 4 MO 6 X PS 25 | 2.727 | 2.215 | 0.687 | 0.750 | 1/4-18 N.P.S.M. | 9/16-18 U.N. | 1.326 | 3500 | 0.218 |
| 9 SS 4 MO 6 X PS 38 | 2.727 | 2.215 | 0.875 | 0.750 | 3/8-18 N.P.S.M. | 9/16-18 U.N. | 1.555 | 3500 | 0.250 |
| 9 SS 8 MO 8 X PS 38 | 2.923 | 2.376 | 0.875 | 1.000 | 3/8-18 N.P.S.M. | 3/4-16 U.N. | 1.437 | 3500 | 0.327 |
| 9 SS 8 MO 8 X PS 50 | 2.953 | 2.376 | 1.000 | 1.000 | 1/2-14 N.P.S.M. | 3/4-16 U.N. | 1.521 | 3500 | 0.327 |
| 9 SS 8 MO 10 X PS 50 | 3.075 | 2.498 | 1.000 | 1.000 | 1/2-14 N.P.S.M. | 7/8-14 U.N. | 1.521 | 3500 | 0.390 |
| 9 SS 12 MO 12 X PS 75 | 3.470 | 2.749 | 1.250 | 1.375 | 3/4-14 N.P.S.M. | 1 1/16-12 U.N. | 1.664 | 3500 | 0.521 |
| 9 SS 16 MO 16 X PS 100 | 4.276 | 3.411 | 1.500 | 1.625 | 1-11 1/2 N.P.S.M. | 1 5/16-12 U.N. | 1.956 | 3500 | 0.590 |
| 9 SS 20 MO 20 X PS 125 | 4.837 | 3.755 | 1.875 | 1.875 | 1 1/4-11 1/2 N.P.S.M. | 1 5/8-12 U.N. | 2.570 | 3500 | 0.906 |
| 9 SS 24 MO 24 X PS 150 | 6.105 | 4.875 | 2.125 | 2.125 | 1 1/2-11 1/2 N.P.S.M. | 1 7/8-12 U.N. | 2.630 | 3500 | 1.040 |

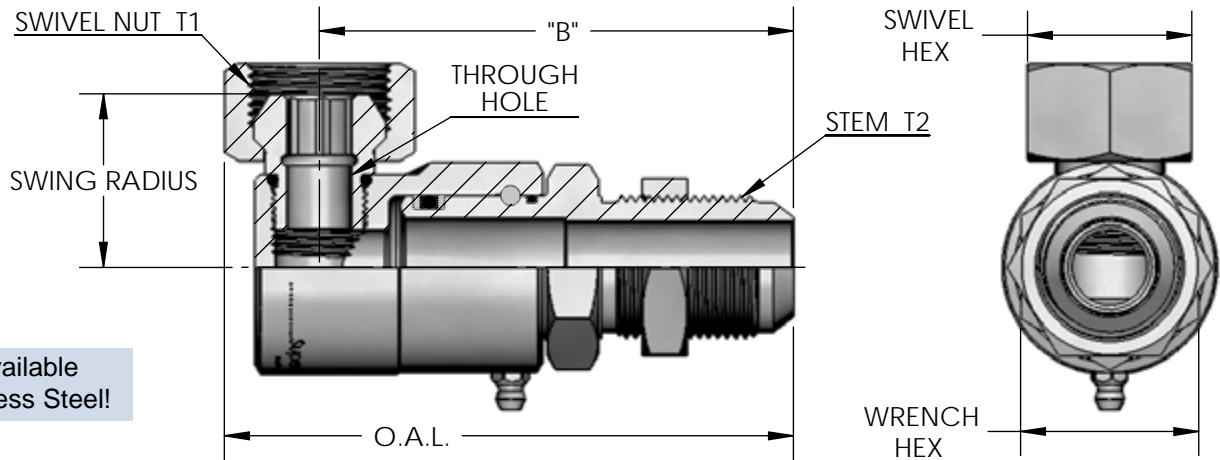
Male J.I.C. (37°) X Pipe Swivel (N.P.S.M.)



Not Available
In Stainless Steel!

| PART NUMBER | O.A.L. | DIM. B | SWIVEL HEX | WRENCH/HEX | SWIVEL NUT T1 | STEM T2 | SWG. RADIUS | MAX. P.S.I.G. | THROUGH HOLE |
|------------------------|--------|--------|------------|------------|-----------------------|----------------|-------------|---------------|--------------|
| 9 SS 4 MJ 4 X PS 25 | 2.867 | 2.355 | 0.687 | 0.750 | 1/4-18 N.P.S.M. | 7/16-20 U.N. | 1.326 | 3500 | 0.172 |
| 9 SS 4 MJ 6 X PS 25 | 2.887 | 2.375 | 0.687 | 0.750 | 1/4-18 N.P.S.M. | 9/16-18 U.N. | 1.326 | 3500 | 0.218 |
| 9 SS 4 MJ 6 X PS 38 | 2.887 | 2.375 | 0.875 | 0.750 | 3/8-18 N.P.S.M. | 9/16-18 U.N. | 1.555 | 3500 | 0.250 |
| 9 SS 8 MJ 8 X PS 38 | 3.070 | 2.523 | 0.875 | 1.000 | 3/8-18 N.P.S.M. | 3/4-16 U.N. | 1.437 | 3500 | 0.327 |
| 9 SS 8 MJ 8 X PS 50 | 3.100 | 2.523 | 1.000 | 1.000 | 1/2-14 N.P.S.M. | 3/4-16 U.N. | 1.521 | 3500 | 0.390 |
| 9 SS 8 MJ 10 X PS 50 | 3.200 | 2.623 | 1.000 | 1.000 | 1/2-14 N.P.S.M. | 7/8-14 U.N. | 1.521 | 3500 | 0.390 |
| 9 SS 12 MJ 12 X PS 75 | 3.606 | 2.885 | 1.250 | 1.375 | 3/4-14 N.P.S.M. | 1 1/16-12 U.N. | 1.664 | 3500 | 0.521 |
| 9 SS 16 MJ 16 X PS 100 | 4.348 | 3.482 | 1.500 | 1.625 | 1-11 1/2 N.P.S.M. | 1 5/16-12 U.N. | 1.956 | 3500 | 0.590 |
| 9 SS 20 MJ 20 X PS 125 | 4.917 | 3.835 | 1.875 | 1.750 | 1 1/4-11 1/2 N.P.S.M. | 1 5/8-12 U.N. | 2.570 | 3500 | 0.906 |
| 9 SS 24 MJ 24 X PS150 | 6.275 | 5.045 | 2.125 | 2.125 | 1 1/2-11 1/2 N.P.S.M. | 1 7/8-12 U.N. | 2.630 | 3500 | 1.040 |

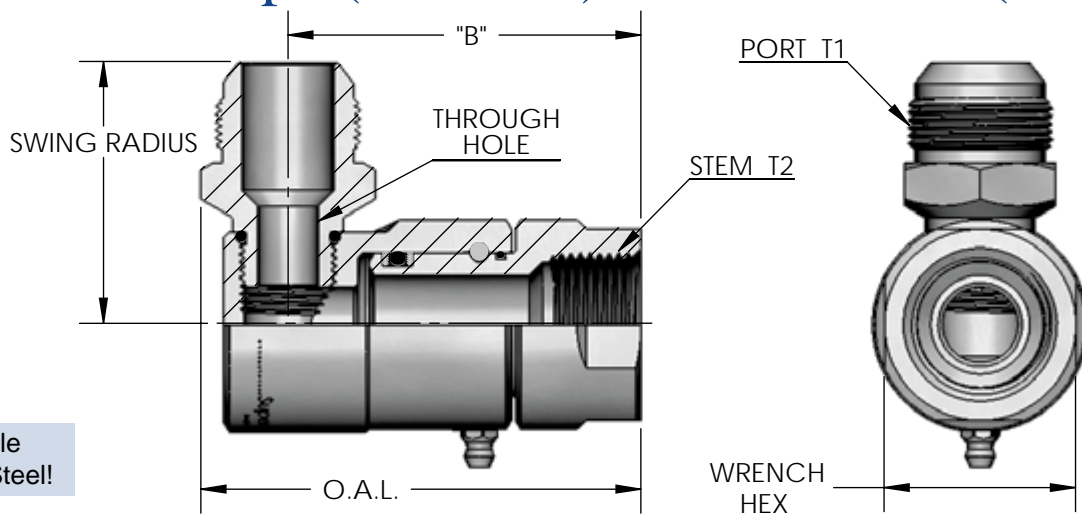
Male J.I.C. Bulkhead (37°) X Pipe Swivel (N.P.S.M.)



Not Available
In Stainless Steel!

| PART NUMBER | O.A.L. | DIM. B | SWIVEL HEX | WRENCH/HEX | SWIVEL NUT T1 | STEM T2 | SWG. RADIUS | MAX. P.S.I.G. | THROUGH HOLE |
|-------------------------|--------|--------|------------|------------|-----------------------|---------------|-------------|---------------|--------------|
| 9 SS 4 MJB 6 X PS 25 | 3.500 | 2.990 | 0.688 | .812 | 1/4-18 N.P.S.M. | 9/16-18 U.N. | 1.350 | 3500 | 0.250 |
| 9 SS 8 MJB 8 X PS 38 | 3.805 | 3.258 | 0.875 | 1.000 | 3/8-18 N.P.S.M. | 3/4-16 U.N. | 1.437 | 3500 | 0.327 |
| 9 SS 8 MJB 8 X PS 50 | 3.835 | 3.258 | 1.000 | 1.000 | 1/2-14 N.P.S.M. | 3/4-16 U.N. | 1.521 | 3500 | 0.327 |
| 9 SS 8 MJB 10 X PS 50 | 4.055 | 3.478 | 1.000 | 1.125 | 1/2-14 N.P.S.M. | 7/8-14 U.N. | 1.521 | 3500 | 0.390 |
| 9 SS 12 MJB 12 X PS 75 | 4.526 | 3.805 | 1.250 | 1.375 | 3/4-14 N.P.S.M. | 11/16-12 U.N. | 1.664 | 3500 | 0.521 |
| 9 SS 16 MJB 16 X PS 100 | 5.182 | 4.317 | 1.500 | 1.625 | 1-11 1/2 N.P.S.M. | 15/16-12 U.N. | 1.956 | 3500 | 0.590 |
| 9 SS 20 MJB 20 X PS 125 | 5.812 | 4.730 | 1.875 | 1.875 | 1 1/4-11 1/2 N.P.S.M. | 15/8-12 U.N. | 2.570 | 3500 | 0.906 |

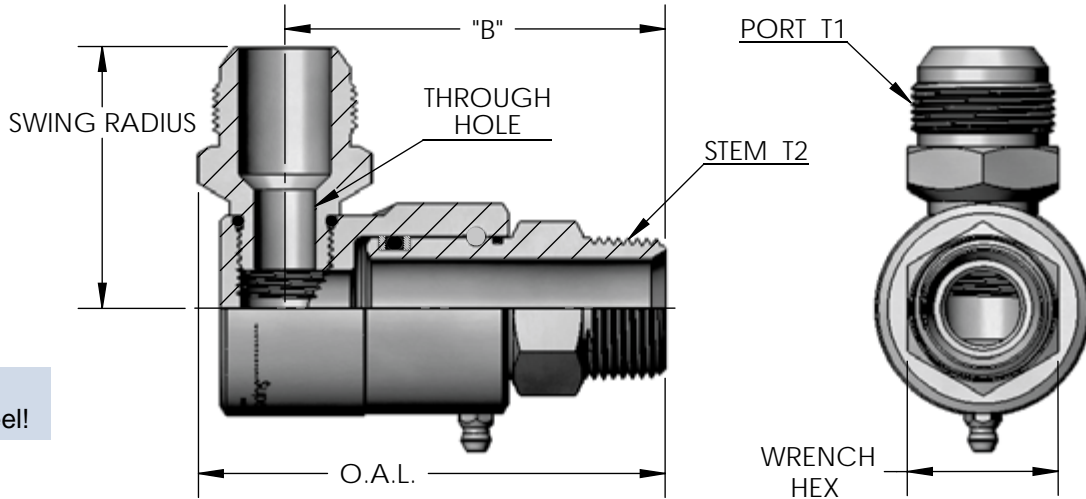
Female Pipe (N.P.T.F.) X Male J.I.C. (37°)



Not Available
In Stainless Steel!

| PART NUMBER | O.A.L. | DIM. B | WRENCH/HEX | PORT T1 | STEM T2 | SWG. RADIUS | MAX. P.S.I.G. | THROUGH HOLE |
|------------------------|--------|--------|------------|----------------|-----------------------|-------------|---------------|--------------|
| 9 SS 4 FP 25 X MJ 4 | 2.510 | 2.000 | 0.750 | 7/16-20 U.N. | 1/4-18 N.P.T.F. | 1.454 | 3500 | 0.170 |
| 9 SS 4 FP 25 X MJ 6 | 2.510 | 2.000 | 0.750 | 9/16-18 U.N. | 1/4-18 N.P.T.F. | 1.454 | 3500 | 0.250 |
| 9 SS 8 FP 38 X MJ 6 | 2.670 | 2.120 | 0.875 | 9/16-18 U.N. | 3/8-18 N.P.T.F. | 1.581 | 3500 | 0.290 |
| 9 SS 8 FP 38 X MJ 8 | 2.670 | 2.120 | 0.875 | 3/4-16 U.N. | 3/8-18 N.P.T.F. | 1.712 | 3500 | 0.297 |
| 9 SS 8 FP 50 X MJ 8 | 2.850 | 2.270 | 1.125 | 3/4-16 U.N. | 1/2-14 N.P.T.F. | 1.712 | 3500 | 0.297 |
| 9 SS 8 FP 50 X MJ 10 | 2.880 | 2.270 | 1.125 | 7/8-14 U.N. | 1/2-14 N.P.T.F. | 1.978 | 3500 | 0.297 |
| 9 SS 12 FP 75 X MJ 12 | 3.000 | 2.360 | 1.375 | 1 1/16-12 U.N. | 3/4-14 N.P.T.F. | 2.288 | 3500 | 0.385 |
| 9 SS 16 FP 100 X MJ 16 | 3.730 | 2.980 | 1.625 | 15/16-12 U.N. | 1-11 1/2 N.P.T.F. | 2.384 | 3500 | 0.550 |
| 9 SS 20 FP 125 X MJ 20 | 4.300 | 3.285 | 2.000 | 15/8-12 U.N. | 1 1/4-11 1/2 N.P.T.F. | 2.970 | 3500 | 0.827 |
| 9 SS 24 FP 150 X MJ 24 | 5.600 | 4.375 | 2.375 | 17/8-12 U.N. | 1 1/2-11 1/2 N.P.T.F. | 3.097 | 3500 | 0.944 |

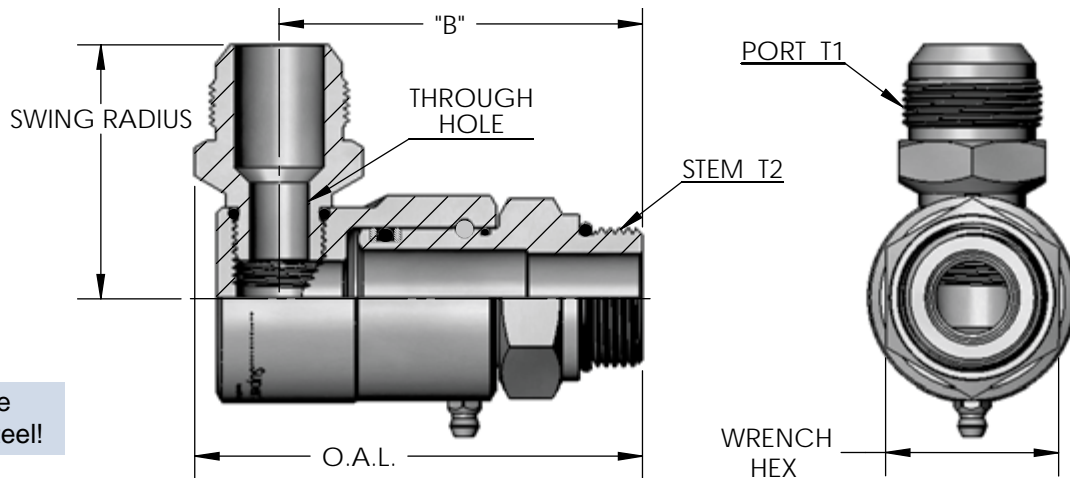
Male Pipe (N.P.T.F.) X Male J.I.C. (37°)



Not Available
In Stainless Steel!

| PART NUMBER | O.A.L. | DIM. B | WRENCH/HEX | PORT T1 | STEM T2 | SWG. RADIUS | MAX. P.S.I.G. | THROUGH HOLE |
|------------------------|--------|--------|------------|---|--|-------------|---------------|--------------|
| 9 SS 4 MP 25 X MJ 4 | 2.640 | 2.130 | 0.625 | 7/16-20 U.N. | 1/4-18 N.P.T.F. | 1.454 | 3500 | 0.170 |
| 9 SS 4 MP 25 X MJ 6 | 2.640 | 2.130 | 0.625 | 9/16-18 U.N. | 1/4-18 N.P.T.F. | 1.454 | 3500 | 0.250 |
| 9 SS 4 MP 38 X MJ 6 | 2.720 | 2.210 | 0.750 | 9/16-18 U.N. | 3/8-18 N.P.T.F. | 1.454 | 3500 | 0.250 |
| 9 SS 8 MP 38 X MJ 8 | 3.095 | 2.548 | 1.000 | 3/4-16 U.N. | 3/8-18 N.P.T.F. | 1.712 | 3500 | 0.297 |
| 9 SS 8 MP 50 X MJ 8 | 3.220 | 2.673 | 1.000 | 3/4-16 U.N. | 1/2-14 N.P.T.F. | 1.712 | 3500 | 0.297 |
| 9 SS 8 MP 50 X MJ 10 | 3.170 | 2.620 | 1.000 | 7/8-14 U.N. | 1/2-14 N.P.T.F. | 1.978 | 3500 | 0.297 |
| 9 SS 12 MP 75 X MJ 12 | 3.409 | 2.760 | 1.125 | 1 ¹ / ₁₆ -12 U.N. | 3/4-14 N.P.T.F. | 2.235 | 3500 | 0.385 |
| 9 SS 16 MP 100 X MJ 16 | 4.255 | 3.462 | 1.375 | 1 ⁵ / ₁₆ -12 U.N. | 1-11 ¹ / ₂ N.P.T.F. | 2.384 | 3500 | 0.550 |
| 9 SS 20 MP 125 X MJ 20 | 4.805 | 3.795 | 1.750 | 1 ⁵ / ₈ -12 U.N. | 1 ¹ / ₄ -11 ¹ / ₂ N.P.T.F. | 2.970 | 3500 | 0.827 |
| 9 SS 24 MP 150 X MJ 24 | 6.185 | 4.955 | 2.000 | 1 ⁷ / ₈ -12 U. N. | 1 ¹ / ₂ -11 ¹ / ₂ N.P.T.F. | 3.097 | 3500 | 0.944 |

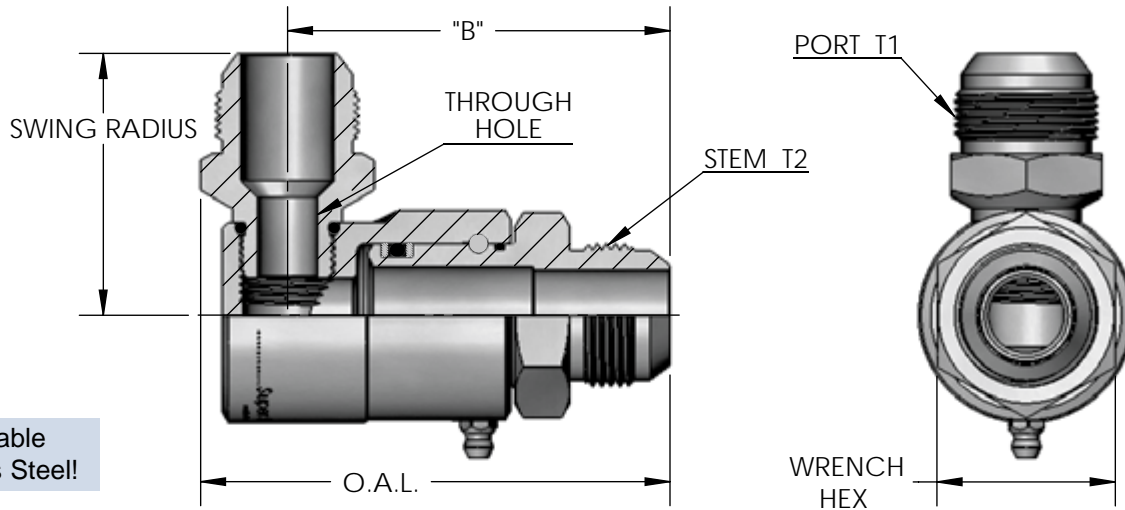
Male O-Ring (O.R.B.) X Male J.I.C. (37°)



Not Available
In Stainless Steel!

| PART NUMBER | O.A.L. | DIM. B | WRENCH/HEX | PORT T1 | STEM T2 | SWG. RADIUS | MAX. P.S.I.G. | THROUGH HOLE |
|-----------------------|--------|--------|------------|---|---|-------------|---------------|--------------|
| 9 SS 4 MO 4 X MJ 4 | 2.727 | 2.215 | 0.625 | 7/16-20 U.N. | 7/16-20 U.N. | 1.454 | 3500 | 0.172 |
| 9 SS 4 MO 6 X MJ 6 | 2.727 | 2.215 | 0.750 | 9/16-18 U.N. | 9/16-18 U.N. | 1.454 | 3500 | 0.250 |
| 9 SS 8 MO 8 X MJ 8 | 2.923 | 2.376 | 1.000 | 3/4-16 U.N. | 3/4-16 U.N. | 1.712 | 3500 | 0.297 |
| 9 SS 8 MO 10 X MJ 10 | 3.075 | 2.498 | 1.000 | 7/8-14 U.N. | 7/8-14 U.N. | 1.978 | 3500 | 0.297 |
| 9 SS 12 MO 12 X MJ 12 | 3.398 | 2.749 | 1.375 | 1 ¹ / ₁₆ -12 U.N. | 1 ¹ / ₁₆ -12 U.N. | 2.288 | 3500 | 0.385 |
| 9 SS 16 MO 16 X MJ 16 | 4.204 | 3.411 | 1.625 | 1 ⁵ / ₁₆ -12 U.N. | 1 ⁵ / ₁₆ -12 U.N. | 2.384 | 3500 | 0.550 |
| 9 SS 20 MO 20 X MJ 20 | 4.765 | 3.755 | 1.875 | 1 ⁵ / ₈ -12 U.N. | 1 ⁵ / ₈ -12 U.N. | 2.970 | 3500 | 0.827 |
| 9 SS 24 MO 24 X MJ 24 | 6.105 | 4.875 | 2.125 | 1 ⁷ / ₈ -12 U.N. | 1 ⁷ / ₈ -12 U.N. | 3.097 | 3500 | 0.944 |

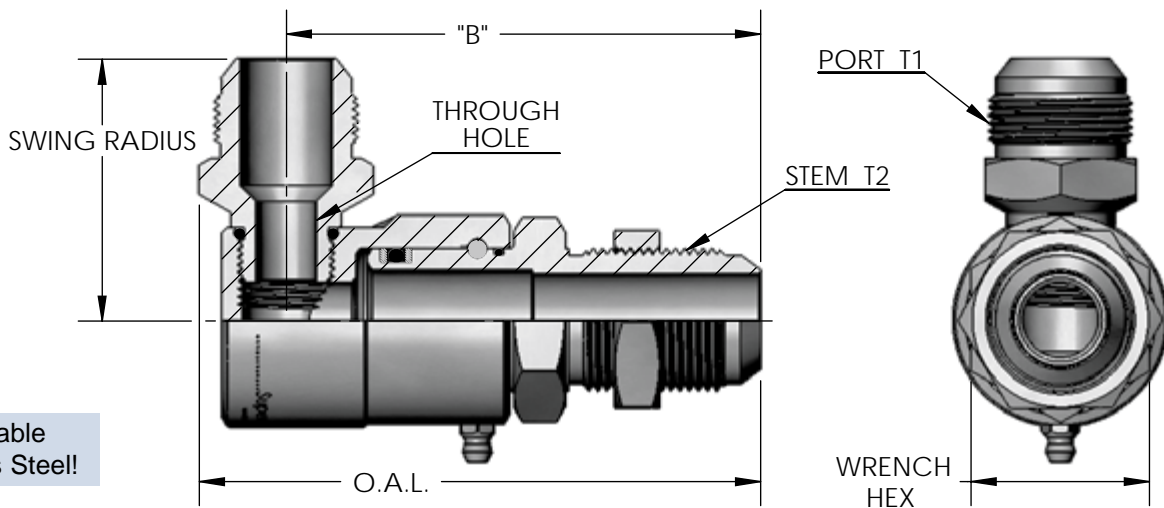
Male J.I.C. (37°) X Male J.I.C. (37°)



Not Available
In Stainless Steel!

| PART NUMBER | O.A.L. | DIM. B | WRENCH/HEX | PORT T1 | STEM T2 | SWG. RADIUS | MAX. P.S.I.G. | THROUGH HOLE |
|-----------------------|--------|--------|------------|----------------|----------------|-------------|---------------|--------------|
| 9 SS 4 MJ 4 X MJ 4 | 2.837 | 2.325 | 0.750 | 7/16-20 U.N. | 7/16-20 U.N. | 1.454 | 3500 | 0.172 |
| 9 SS 4 MJ 6 X MJ 6 | 2.857 | 2.345 | 0.750 | 9/16-18 U.N. | 9/16-18 U.N. | 1.454 | 3500 | 0.250 |
| 9 SS 8 MJ 8 X MJ 8 | 3.070 | 2.523 | 1.000 | 3/4-16 U.N. | 3/4-16 U.N. | 1.712 | 3500 | 0.297 |
| 9 SS 8 MJ 10 X MJ 10 | 3.200 | 2.623 | 1.000 | 7/8-14 U.N. | 7/8-14 U.N. | 1.978 | 3500 | 0.297 |
| 9 SS 12 MJ 12 X MJ 12 | 3.534 | 2.885 | 1.375 | 1 1/16-12 U.N. | 1 1/16-12 U.N. | 2.288 | 3500 | 0.385 |
| 9 SS 16 MJ 16 X MJ 16 | 4.275 | 3.482 | 1.625 | 1 5/16-12 U.N. | 1 5/16-12 U.N. | 2.384 | 3500 | 0.550 |
| 9 SS 20 MJ 20 X MJ 20 | 4.845 | 3.835 | 1.750 | 1 5/8-12 U.N. | 1 5/8-12 U.N. | 2.970 | 3500 | 0.827 |
| 9 SS 24 MJ 24 X MJ 24 | 6.275 | 5.045 | 2.125 | 1 7/8-12 U.N. | 1 7/8-12 U.N. | 3.097 | 3500 | 0.944 |

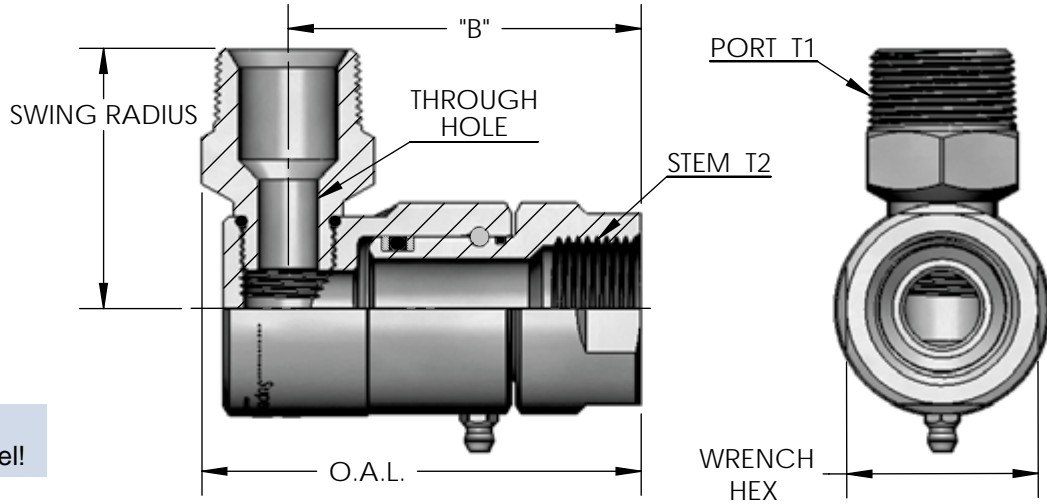
Male J.I.C. Bulkhead (37°) X Male J.I.C. (37°)



Not Available
In Stainless Steel!

| PART NUMBER | O.A.L. | DIM. B | WRENCH/HEX | PORT T1 | STEM T2 | SWG. RADIUS | MAX. P.S.I.G. | THROUGH HOLE |
|------------------------|--------|--------|------------|----------------|----------------|-------------|---------------|--------------|
| 9 SS 8 MJB 8 X MJ 8 | 3.805 | 3.258 | 1.000 | 3/4-16 U.N. | 3/4-16 U.N. | 1.712 | 3500 | 0.297 |
| 9 SS 8 MJB 10 X MJ 10 | 4.055 | 3.478 | 1.125 | 7/8-14 U.N. | 7/8-14 U.N. | 1.978 | 3500 | 0.297 |
| 9 SS 12 MJB 12 X MJ 12 | 4.454 | 3.805 | 1.375 | 1 1/16-12 U.N. | 1 1/16-12 U.N. | 2.288 | 3500 | 0.385 |
| 9 SS 16 MJB 16 X MJ 16 | 5.110 | 4.317 | 1.625 | 1 5/16-12 U.N. | 1 5/16-12 U.N. | 2.384 | 3500 | 0.550 |
| 9 SS 20 MJB 20 X MJ 20 | 5.740 | 4.730 | 1.875 | 1 5/8-12 U.N. | 1 5/8-12 U.N. | 2.970 | 3500 | 0.827 |

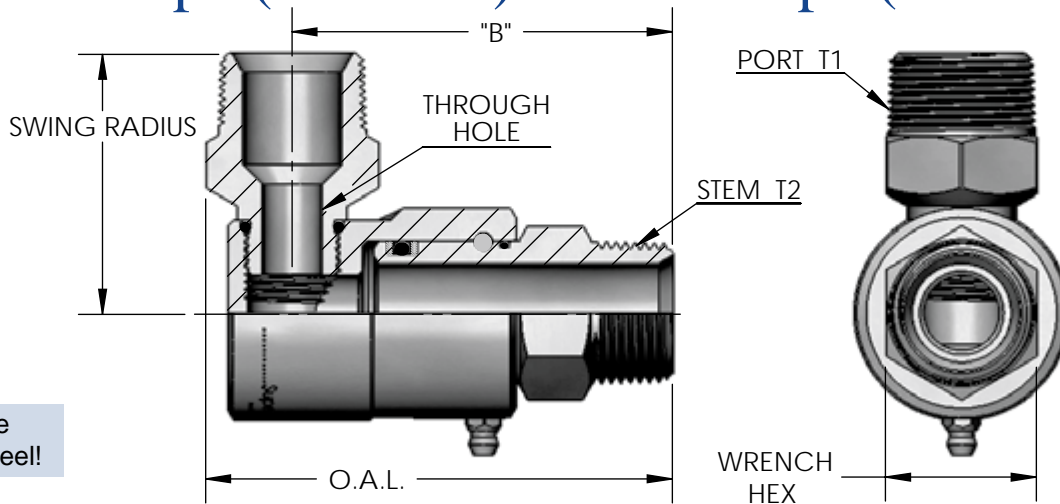
Female Pipe (N.P.T.F.) X Male Pipe (N.P.T.F.)



Not Available
In Stainless Steel!

| PART NUMBER | O.A.L. | DIM. B | WRENCH/HEX | PORT T1 | STEM T2 | SWG. RADIUS | MAX. P.S.I.G. | THROUGH HOLE |
|--------------------------|--------|--------|------------|-----------------------|-----------------------|-------------|---------------|--------------|
| 9 SS 4 FP 25 X MP 25 | 2.510 | 2.000 | 0.750 | 1/4-18 N.P.T.F. | 1/4-18 N.P.T.F. | 1.440 | 3500 | 0.250 |
| 9 SS 8 FP 38 X MP 38 | 2.670 | 2.120 | 0.875 | 3/8-18 N.P.T.F. | 3/8-18 N.P.T.F. | 1.440 | 3500 | 0.297 |
| 9 SS 8 FP 38 X MP 50 | 2.670 | 2.120 | 0.875 | 1/2-14 N.P.T.F. | 3/8-18 N.P.T.F. | 1.440 | 3500 | 0.297 |
| 9 SS 8 FP 50 X MP 38 | 2.850 | 2.270 | 1.125 | 3/8-18 N.P.T.F. | 1/2-14 N.P.T.F. | 1.556 | 3500 | 0.297 |
| 9 SS 8 FP 50 X MP 50 | 2.850 | 2.270 | 1.125 | 1/2-14 N.P.T.F. | 1/2-14 N.P.T.F. | 1.848 | 3500 | 0.297 |
| 9 SS 12 FP 75 X MP 75 | 3.000 | 2.360 | 1.375 | 3/4-14 N.P.T.F. | 3/4-14 N.P.T.F. | 1.998 | 3500 | 0.484 |
| 9 SS 16 FP 100 X MP 100 | 3.780 | 3.020 | 1.625 | 1-11 1/2 N.P.T.F. | 1-11 1/2 N.P.T.F. | 2.370 | 3500 | 0.550 |
| 9 SS 20 FP 12 5 X MP 125 | 4.300 | 3.285 | 2.000 | 1 1/4-11 1/2 N.P.T.F. | 1 1/4-11 1/2 N.P.T.F. | 2.987 | 3500 | 0.827 |
| 9 SS 24 FP 150 X MP 150 | 5.600 | 4.375 | 3.050 | 1 1/2-11 1/2 N.P.T.F. | 1 1/2-11 1/2 N.P.T.F. | 3.050 | 3500 | 0.944 |

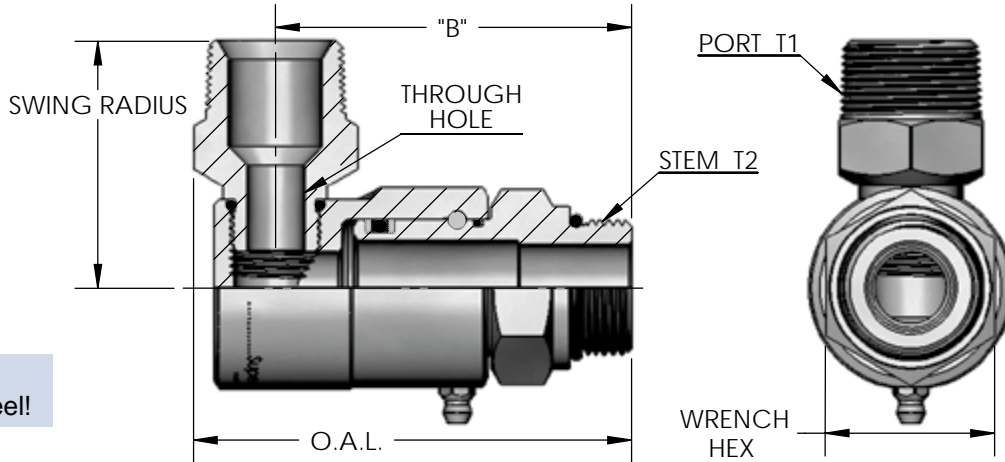
Male Pipe (N.P.T.F.) X Male Pipe (N.P.T.F.)



Not Available
In Stainless Steel!

| PART NUMBER | O.A.L. | DIM. B | WRENCH/HEX | PORT T1 | STEM T2 | SWG. RADIUS | MAX. P.S.I.G. | THROUGH HOLE |
|-------------------------|--------|--------|------------|-----------------------|-----------------------|-------------|---------------|--------------|
| 9 SS 4 MP 25 X MP 25 | 2.640 | 2.130 | 0.625 | 1/4-18 N.P.T.F. | 1/4-18 N.P.T.F. | 1.440 | 3500 | 0.250 |
| 9 SS 4 MP 25 X MP 38 | 2.640 | 2.130 | 0.625 | 3/8-18 N.P.T.F. | 1/4-18 N.P.T.F. | 1.440 | 3500 | 0.297 |
| 9 SS 4 MP 38 X MP 38 | 2.720 | 2.200 | 0.750 | 3/8-18 N.P.T.F. | 3/8-18 N.P.T.F. | 1.440 | 3500 | 0.297 |
| 9 SS 8 MP 38 X MP 38 | 3.095 | 2.548 | 1.000 | 3/8-18 N.P.T.F. | 3/8-18 N.P.T.F. | 1.556 | 3500 | 0.297 |
| 9 SS 8 MP 38 X MP 50 | 3.095 | 2.548 | 1.000 | 1/2-14 N.P.T.F. | 3/8-18 N.P.T.F. | 1.848 | 3500 | 0.297 |
| 9 SS 8 MP 50 X MP 38 | 3.190 | 2.620 | 1.000 | 3/8-18 N.P.T.F. | 1/2-14 N.P.T.F. | 1.556 | 3500 | 0.297 |
| 9 SS 8 MP 50 X MP 50 | 3.190 | 2.620 | 1.000 | 1/2-14 N.P.T.F. | 1/2-14 N.P.T.F. | 1.848 | 3500 | 0.297 |
| 9 SS 12 MP 75 X MP 75 | 3.400 | 2.760 | 1.125 | 3/4-14 N.P.T.F. | 3/4-14 N.P.T.F. | 1.998 | 3500 | 0.484 |
| 9 SS 16 MP 100 X MP 100 | 4.225 | 3.462 | 1.375 | 1-11 1/2 N.P.T.F. | 1-11 1/2 N.P.T.F. | 2.370 | 3500 | 0.550 |
| 9 SS 20 MP 125 X MP 125 | 4.810 | 3.795 | 1.750 | 1 1/4-11 1/2 N.P.T.F. | 1 1/4-11 1/2 N.P.T.F. | 2.987 | 3500 | 0.827 |
| 9 SS 24 MP 150 X MP 150 | 6.185 | 4.955 | 2.000 | 1 1/2-11 1/2 N.P.T.F. | 1 1/2-11 1/2 N.P.T.F. | 3.050 | 3500 | 0.944 |

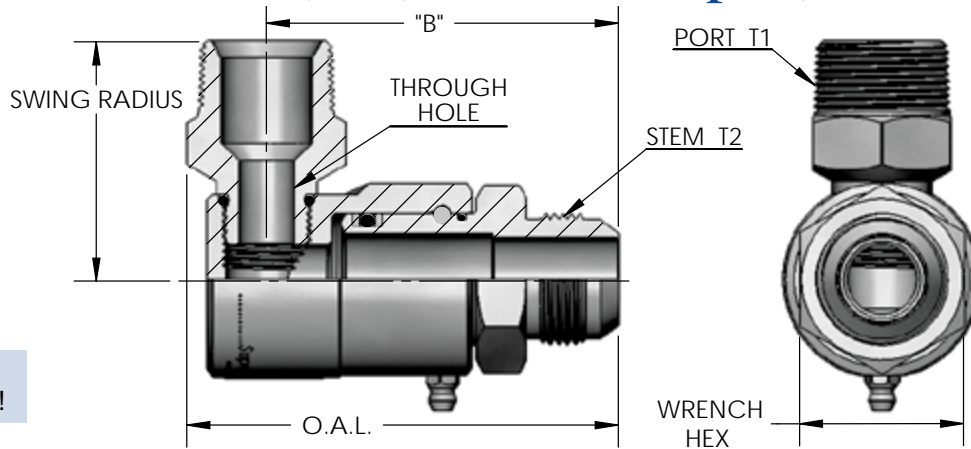
Male O-Ring (O.R.B.) X Male Pipe (N.P.T.F.)



Not Available
In Stainless Steel!

| PART NUMBER | O.A.L. | DIM. B | WRENCH/HEX | PORT T1 | STEM T2 | SWG. RADIUS | MAX. P.S.I.G. | THROUGH HOLE |
|------------------------|--------|--------|------------|-----------------------|----------------|-------------|---------------|--------------|
| 9 SS 4 MO 4 X MP 25 | 2.727 | 2.215 | 0.625 | 1/4-18 N.P.T.F. | 7/16-20 U.N. | 1.440 | 3500 | 0.172 |
| 9 SS 4 MO 6 X MP 25 | 2.727 | 2.215 | 0.750 | 1/4-18 N.P.T.F. | 9/16-18 U.N. | 1.440 | 3500 | 0.250 |
| 9 SS 4 MO 6 X MP 38 | 2.727 | 2.215 | 0.750 | 3/8-18 N.P.T.F. | 9/16-18 U.N. | 1.440 | 3500 | 0.297 |
| 9 SS 8 MO 8 X MP 38 | 2.923 | 2.376 | 1.000 | 3/8-18 N.P.T.F. | 3/4-16 U.N. | 1.556 | 3500 | 0.297 |
| 9 SS 8 MO 8 X MP 50 | 2.923 | 2.376 | 1.000 | 1/2-14 N.P.T.F. | 3/4-16 U.N. | 1.848 | 3500 | 0.297 |
| 9 SS 8 MO 10 X MP 38 | 3.045 | 2.498 | 1.000 | 3/8-18 N.P.T.F. | 7/8-14 U.N. | 1.556 | 3500 | 0.297 |
| 9 SS 8 MO 10 X MP 50 | 3.045 | 2.498 | 1.000 | 1/2-14 N.P.T.F. | 7/8-14 U.N. | 1.848 | 3500 | 0.297 |
| 9 SS 12 MO 12 X MP 75 | 3.389 | 2.749 | 1.375 | 3/4-14 N.P.T.F. | 1 1/16-12 U.N. | 1.998 | 3500 | 0.484 |
| 9 SS 16 MO 16 X MP 100 | 4.210 | 3.411 | 1.625 | 1-11 1/2 N.P.T.F. | 1 5/16-12 U.N. | 2.370 | 3500 | 0.550 |
| 9 SS 20 MO 20 X MP 125 | 4.770 | 3.755 | 1.875 | 1 1/4-11 1/2 N.P.T.F. | 1 5/8-12 U.N. | 2.987 | 3500 | 0.827 |
| 9 SS 24 MO 24 X MP 150 | 6.105 | 4.875 | 2.125 | 1 1/2-11 1/2 N.P.T.F. | 1 7/8-12 U.N. | 3.050 | 3500 | 0.944 |

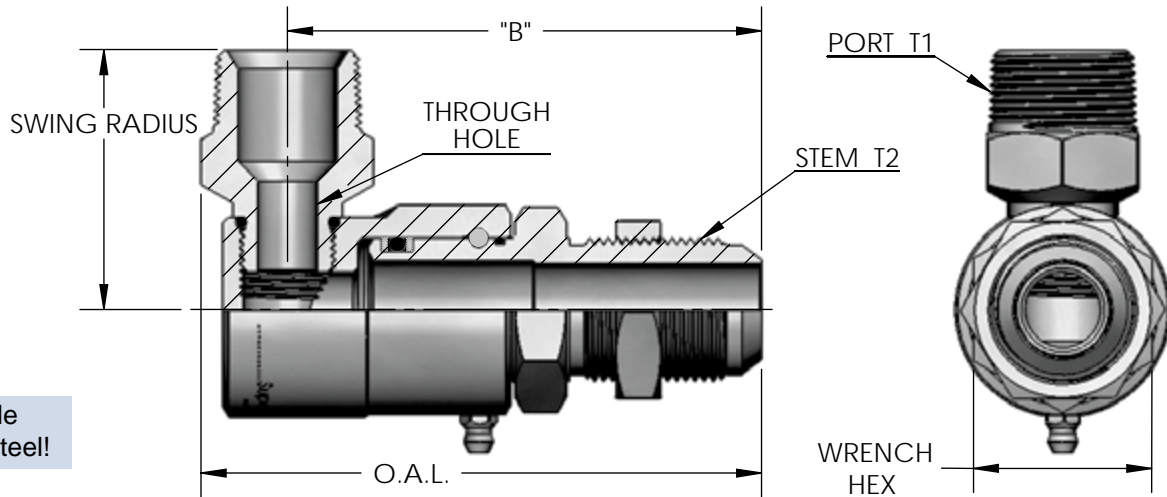
Male J.I.C. (37°) X Male Pipe (N.P.T.F.)



Not Available
In Stainless Steel!

| PART NUMBER | O.A.L. | DIM. B | WRENCH/HEX | PORT T1 | STEM T2 | SWG. RADIUS | MAX. P.S.I.G. | THROUGH HOLE |
|------------------------|--------|--------|------------|-----------------------|----------------|-------------|---------------|--------------|
| 9 SS 4 MJ 4 X MP 25 | 2.837 | 2.325 | 0.750 | 1/4-18 N.P.T.F. | 7/16-20 U.N. | 1.440 | 3500 | 0.172 |
| 9 SS 4 MJ 6 X MP 25 | 2.857 | 2.345 | 0.750 | 1/4-18 N.P.T.F. | 9/16-18 U.N. | 1.440 | 3500 | 0.250 |
| 9 SS 4 MJ 6 X MP 38 | 2.857 | 2.345 | 0.750 | 3/8-18 N.P.T.F. | 9/16-18 U.N. | 1.440 | 3500 | 0.250 |
| 9 SS 8 MJ 8 X MP 38 | 3.060 | 2.513 | 1.000 | 3/8-18 N.P.T.F. | 3/4-16 U.N. | 1.556 | 3500 | 0.297 |
| 9 SS 8 MJ 8 X MP 50 | 3.060 | 2.513 | 1.000 | 1/2-14 N.P.T.F. | 3/4-16 U.N. | 1.848 | 3500 | 0.297 |
| 9 SS 8 MJ 10 X MP 38 | 3.160 | 2.613 | 1.000 | 3/8-18 N.P.T.F. | 7/8-14 U.N. | 1.556 | 3500 | 0.250 |
| 9 SS 8 MJ 10 X MP 50 | 3.160 | 2.613 | 1.000 | 1/2-14 N.P.T.F. | 7/8-14 U.N. | 1.848 | 3500 | 0.297 |
| 9 SS 12 MJ 12 X MP 75 | 3.525 | 2.885 | 1.375 | 3/4-14 N.P.T.F. | 1 1/16-12 U.N. | 1.998 | 3500 | 0.484 |
| 9 SS 16 MJ 16 X MP 100 | 4.290 | 3.482 | 1.625 | 1-11 1/2 N.P.T.F. | 1 5/16-12 U.N. | 2.370 | 3500 | 0.550 |
| 9 SS 20 MJ 20 X MP 125 | 4.850 | 3.835 | 1.750 | 1 1/4-11 1/2 N.P.T.F. | 1 5/8-12 U.N. | 2.987 | 3500 | 0.827 |
| 9 SS 24 MJ 24 X MP 150 | 6.275 | 5.045 | 2.125 | 1 1/2-11 1/2 N.P.T.F. | 1 7/8-12 U.N. | 3.050 | 3500 | 0.944 |

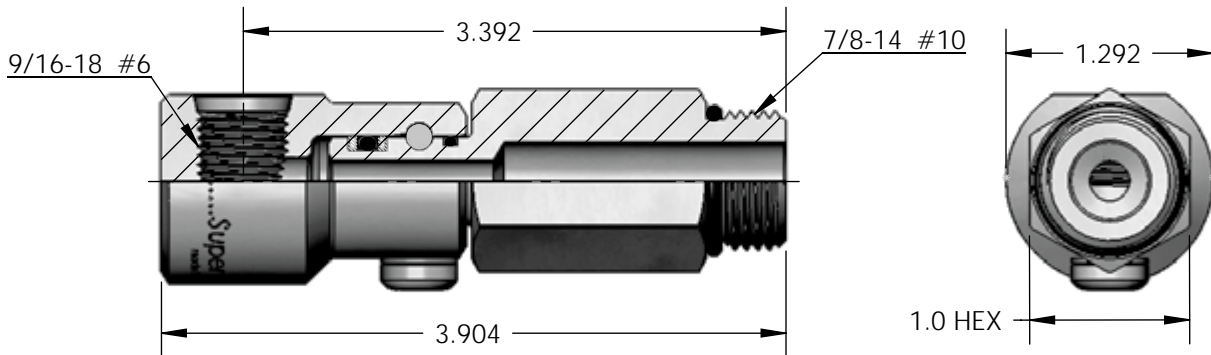
Male J.I.C. Bulkhead (37°) X Male Pipe (N.P.T.F.)



Not Available
In Stainless Steel!

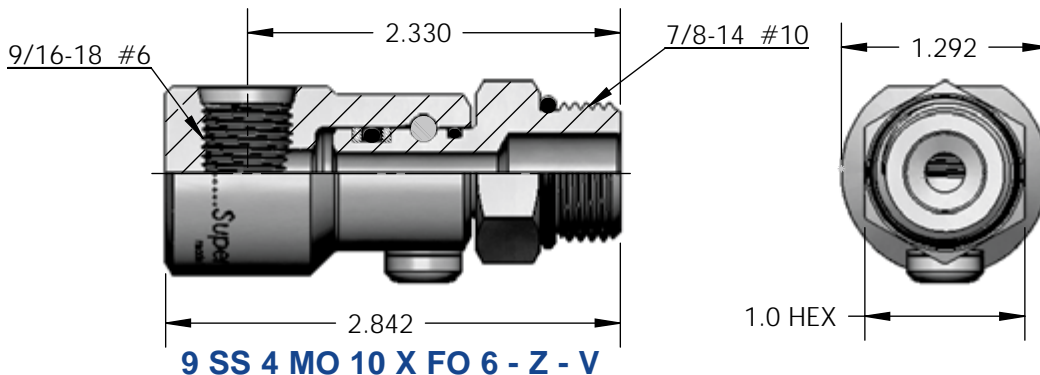
| PART NUMBER | O.A.L. | DIM. B | WRENCH/HEX | PORT T1 | STEM T2 | SWG. RADIUS | MAX. P.S.I.G. | THROUGH HOLE |
|-------------------------|--------|--------|------------|--|---|-------------|---------------|--------------|
| 9 SS 8 MJB 8 X MP 38 | 3.805 | 3.258 | 1.000 | 3/8-18 N.P.T.F. | 3/4-16 U.N. | 1.556 | 3500 | 0.297 |
| 9 SS 8 MJB 8 X MP 50 | 3.805 | 3.258 | 1.000 | 1/2-14 N.P.T.F. | 3/4-16 U.N. | 1.848 | 3500 | 0.297 |
| 9 SS 8 MJB 10 X MP 50 | 4.025 | 3.478 | 1.125 | 1/2-14 N.P.T.F. | 7/8-14 U.N. | 1.848 | 3500 | 0.297 |
| 9 SS 12 MJB 12 X MP 75 | 4.445 | 3.805 | 1.375 | 3/4-14 N.P.T.F. | 1 ¹ / ₁₆ -12 U.N. | 1.998 | 3500 | 0.484 |
| 9 SS 16 MJB 16 X MP 100 | 4.905 | 4.317 | 1.625 | 1-11 ¹ / ₄ N.P.T.F. | 1 ⁵ / ₁₆ -12 U.N. | 2.370 | 3500 | 0.550 |
| 9 SS 20 MJB 20 X MP 125 | 5.575 | 4.730 | 1.875 | 1 ¹ / ₄ -11 ¹ / ₂ N.P.T.F. | 1 ⁵ / ₈ -12 U.N. | 2.987 | 3500 | 0.827 |

Wheel Motor Swivels



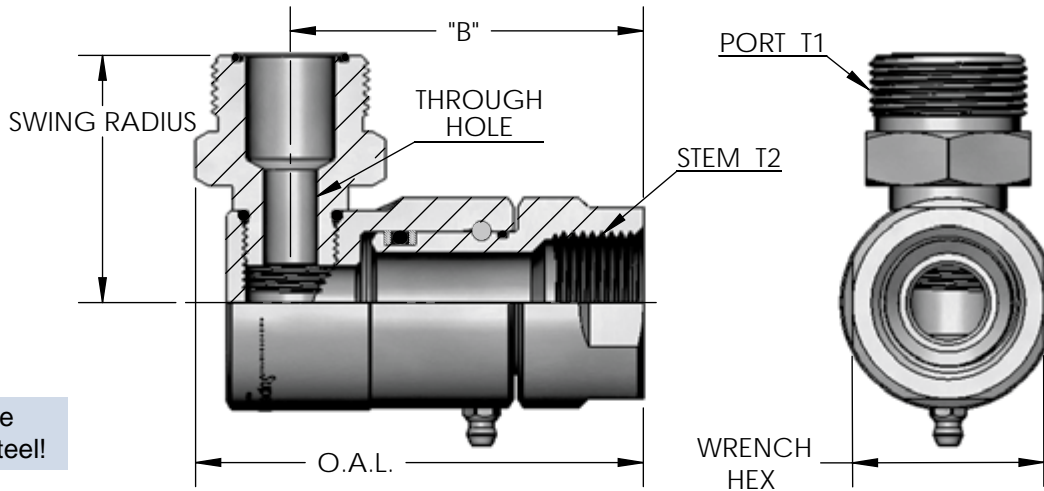
Not Available
In Stainless Steel!

9 SS 4 MO 10 X FO 6 - 001 - Z - V



9 SS 4 MO 10 X FO 6 - Z - V

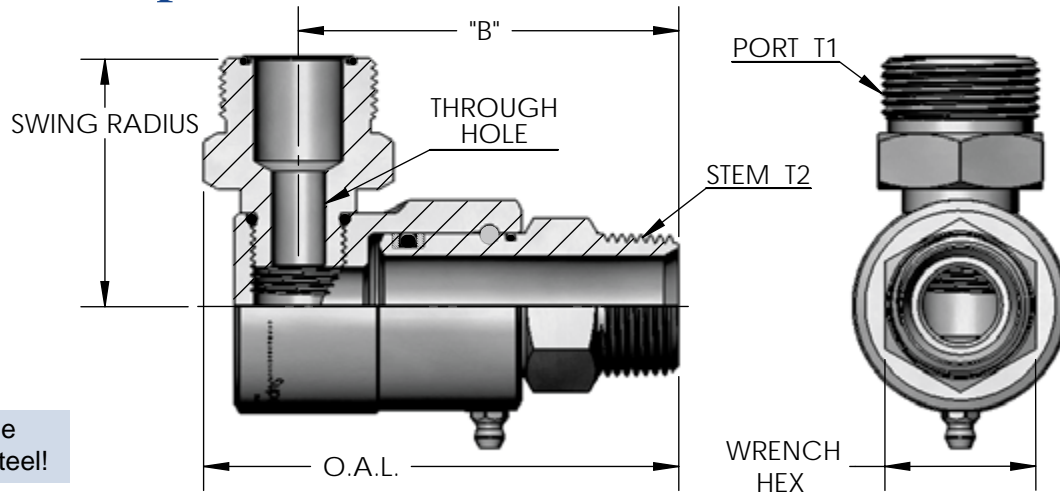
Female Pipe (N.P.T.F.) X Male Face Seal (M.F.S.)



Not Available
In Stainless Steel!

| PART NUMBER | O.A.L. | DIM. B | WRENCH/HEX | PORT T1 | STEM T2 | SWG. RADIUS | MAX. P.S.I.G. | THROUGH HOLE |
|-------------------------|--------|--------|------------|-----------------|-----------------------|-------------|---------------|--------------|
| 9 SS 4 FP 25 X MFS 6 | 2.510 | 2.000 | 0.750 | 11/16-16 U.N. | 1/4-18 N.P.T.F. | 1.314 | 5000 | 0.265 |
| 9 SS 8 FP 38 X MFS 6 | 2.670 | 2.120 | 0.875 | 11/16-16 U.N. | 3/8-18 N.P.T.F. | 1.432 | 5000 | 0.265 |
| 9 SS 8 FP 38 X MFS 8 | 2.670 | 2.120 | 0.875 | 13/16-16 U.N. | 3/8-18 N.P.T.F. | 1.669 | 5000 | 0.265 |
| 9 SS 8 FP 50 X MFS 8 | 2.850 | 2.270 | 1.125 | 13/16-16 U.N. | 1/2-14 N.P.T.F. | 1.669 | 5000 | 0.265 |
| 9 SS 8 FP 50 X MFS 10 | 2.850 | 2.270 | 1.125 | 1-14 U.N. | 1/2-14 N.P.T.F. | 1.826 | 5000 | 0.265 |
| 9 SS 12 FP 75 X MFS 12 | 3.000 | 2.360 | 1.375 | 13/16-12 U.N. | 3/4-14 N.P.T.F. | 2.089 | 4500 | 0.389 |
| 9 SS 16 FP 100 X MFS 16 | 3.860 | 2.980 | 1.625 | 17/16-12 U.N. | 1-11 1/2 N.P.T.F. | 2.255 | 4000 | 0.484 |
| 9 SS 20 FP 125 X MFS 20 | 4.300 | 3.285 | 2.000 | 1 11/16-12 U.N. | 1 1/4-11 1/2 N.P.T.F. | 2.658 | 4000 | 0.718 |
| 9 SS 24 FP 150 X MFS 24 | 5.600 | 4.375 | 2.370 | 2-12 U.N. | 1 1/2-11 1/2 N.P.T.F. | 2.904 | 4000 | 0.844 |

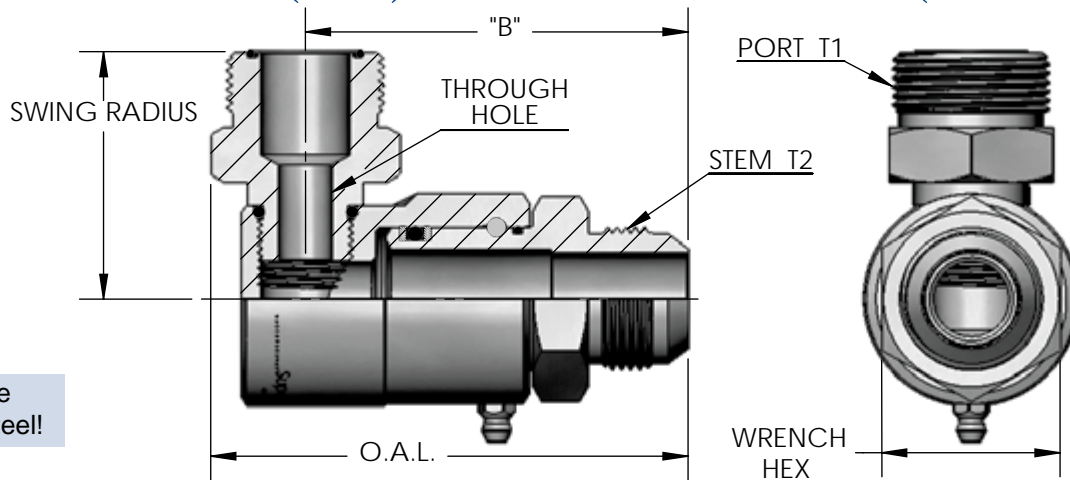
Male Pipe (N.P.T.F.) X Male Face Seal (M.F.S.)



Not Available
In Stainless Steel!

| PART NUMBER | O.A.L. | DIM. B | WRENCH/HEX | PORT T1 | STEM T2 | SWG. RADIUS | MAX. P.S.I.G. | THROUGH HOLE |
|-------------------------|--------|--------|------------|-----------------|-----------------------|-------------|---------------|--------------|
| 9 SS 4 MP 25 X MFS 6 | 2.640 | 2.130 | 0.625 | 11/16-16 U.N. | 1/4-18 N.P.T.F. | 1.314 | 5000 | 0.265 |
| 9 SS 4 MP 38 X MFS 6 | 2.720 | 2.210 | 0.750 | 11/16-16 U.N. | 3/8-18 N.P.T.F. | 1.314 | 5000 | 0.265 |
| 9 SS 8 MP 38 X MFS 6 | 3.095 | 2.548 | 1.000 | 11/16-16 U.N. | 3/8-18 N.P.T.F. | 1.432 | 5000 | 0.265 |
| 9 SS 8 MP 38 X MFS 8 | 3.095 | 2.548 | 1.000 | 13/16-16 U.N. | 3/8-18 N.P.T.F. | 1.669 | 5000 | 0.265 |
| 9 SS 8 MP 50 X MFS 8 | 3.170 | 2.620 | 1.000 | 13/16-16 U.N. | 1/2-14 N.P.T.F. | 1.669 | 5000 | 0.265 |
| 9 SS 8 MP 50 X MFS 10 | 3.170 | 2.620 | 1.000 | 1-14 U.N. | 1/2-14 N.P.T.F. | 1.826 | 5000 | 0.265 |
| 9 SS 12 MP 75 X MFS 12 | 3.400 | 2.760 | 1.125 | 13/16-12 U.N. | 3/4-14 N.P.T.F. | 2.089 | 4500 | 0.389 |
| 9 SS 16 MP 100 X MFS 16 | 3.170 | 3.462 | 1.375 | 17/16-12 U.N. | 1-11 1/2 N.P.T.F. | 2.255 | 4000 | 0.484 |
| 9 SS 20 MP 125 X MFS 20 | 4.800 | 3.795 | 1.750 | 1 11/16-12 U.N. | 1 1/4-11 1/2 N.P.T.F. | 2.658 | 4000 | 0.718 |
| 9 SS 24 MP 150 X MFS 24 | 6.185 | 4.955 | 1.995 | 2-12 U.N. | 1 1/2-11 1/2 N.P.T.F. | 2.904 | 4000 | 0.844 |

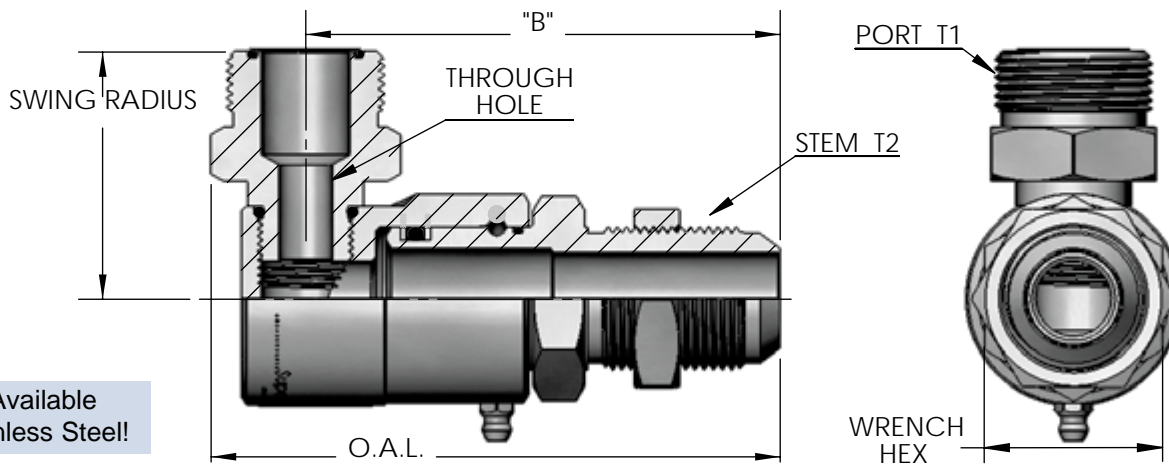
Male J.I.C. (37°) X Male Face Seal (M.F.S.)



Not Available
In Stainless Steel!

| PART NUMBER | O.A.L. | DIM. B | WRENCH/HEX | PORT T1 | STEM T2 | SWG. RADIUS | MAX. P.S.I.G. | THROUGH HOLE |
|------------------------|--------|--------|------------|--|---------------|-------------|---------------|--------------|
| 9 SS 4 MJ 4 X MFS 4 | 2.837 | 2.325 | 0.750 | 9/16-18 U.N. | 7/16-20 U.N. | 1.266 | 5000 | 0.172 |
| 9 SS 4 MJ 6 X MFS 6 | 2.857 | 2.345 | 0.750 | 11/16-16 U.N. | 9/16-18 U.N. | 1.314 | 5000 | 0.265 |
| 9 SS 8 MJ 8 X MFS 6 | 3.070 | 2.523 | 1.000 | 11/16-16 U.N. | 3/4-16 U.N. | 1.432 | 5000 | 0.265 |
| 9 SS 8 MJ 8 X MFS 8 | 3.070 | 2.523 | 1.000 | 13/16-16 U.N. | 3/4-16 U.N. | 1.669 | 5000 | 0.265 |
| 9 SS 8 MJ 8 X MFS 10 | 3.070 | 2.523 | 1.000 | 1-14 U.N. | 3/4-16 U.N. | 1.826 | 5000 | 0.265 |
| 9 SS 8 MJ 10 X MFS 8 | 3.160 | 2.613 | 1.000 | 13/16-16 U.N. | 7/8-14 U.N. | 1.669 | 5000 | 0.265 |
| 9 SS 8 MJ 10 X MFS 10 | 3.160 | 2.613 | 1.000 | 1-14 U.N. | 7/8-14 U.N. | 1.826 | 5000 | 0.265 |
| 9 SS 12 MJ 12 X MFS 12 | 3.525 | 2.885 | 1.375 | 13/16-12 U.N. | 11/16-12 U.N. | 2.089 | 4500 | 0.389 |
| 9 SS 16 MJ 16 X MFS 16 | 4.350 | 3.482 | 1.625 | 17/16-12 U.N. | 15/16-12 U.N. | 2.255 | 4000 | 0.484 |
| 9 SS 20 MJ 20 X MFS 20 | 4.850 | 3.835 | 1.750 | 11 ¹ / ₁₆ -12 U.N. | 15/8-12 U.N. | 2.658 | 4000 | 0.718 |
| 9 SS 24 MJ 24 X MFS 24 | 6.275 | 5.045 | 2.125 | 2-12 U.N. | 17/8-12 U.N. | 2.904 | 4000 | 0.844 |

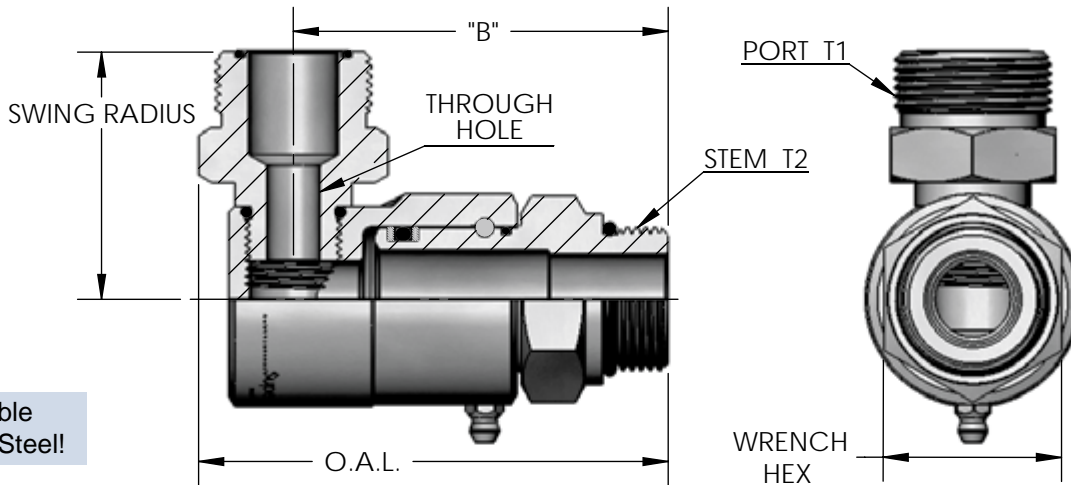
Male J.I.C. Bulkhead (37°) X Male Face Seal (M.F.S.)



Not Available
In Stainless Steel!

| PART NUMBER | O.A.L. | DIM. B | WRENCH/HEX | PORT T1 | STEM T2 | SWG. RADIUS | MAX. P.S.I.G. | THROUGH HOLE |
|-------------------------|--------|--------|------------|--|---------------|-------------|---------------|--------------|
| 9 SS 4 MJB 6 X MFS 6 | 3.500 | 2.990 | .812 | 11/16-16 U.N. | 9/16-18 U.N. | 1.440 | 5000 | 0.250 |
| 9 SS 8 MJB 8 X MFS 6 | 3.805 | 3.258 | 1.000 | 11/16-16 U.N. | 3/4-16 U.N. | 1.432 | 5000 | 0.265 |
| 9 SS 8 MJB 8 X MFS 8 | 3.805 | 3.258 | 1.000 | 13/16-16 U.N. | 3/4-16 U.N. | 1.669 | 5000 | 0.265 |
| 9 SS 8 MJB 8 X MFS 10 | 3.805 | 3.258 | 1.000 | 1-14 U.N. | 3/4-16 U.N. | 1.826 | 5000 | 0.265 |
| 9 SS 8 MJB 10 X MFS 6 | 4.025 | 3.478 | 1.125 | 11/16-16 U.N. | 7/8-14 U.N. | 1.432 | 5000 | 0.265 |
| 9 SS 8 MJB 10 X MFS 8 | 4.025 | 3.478 | 1.125 | 13/16-16 U.N. | 7/8-14 U.N. | 1.669 | 5000 | 0.265 |
| 9 SS 8 MJB 10 X MFS 10 | 4.025 | 3.478 | 1.125 | 1-14 U.N. | 7/8-14 U.N. | 1.826 | 5000 | 0.265 |
| 9 SS 12 MJB 12 X MFS 12 | 4.445 | 3.805 | 1.375 | 13/16-12 U.N. | 11/16-12 U.N. | 2.089 | 4500 | 0.389 |
| 9 SS 16 MJB 16 X MFS 16 | 5.200 | 4.317 | 1.625 | 17/16-12 U.N. | 15/16-12 U.N. | 2.255 | 4000 | 0.484 |
| 9 SS 20 MJB 20 X MFS 20 | 5.750 | 4.730 | 1.875 | 11 ¹ / ₁₆ -12 U.N. | 15/8-12 U.N. | 2.658 | 4000 | 0.718 |

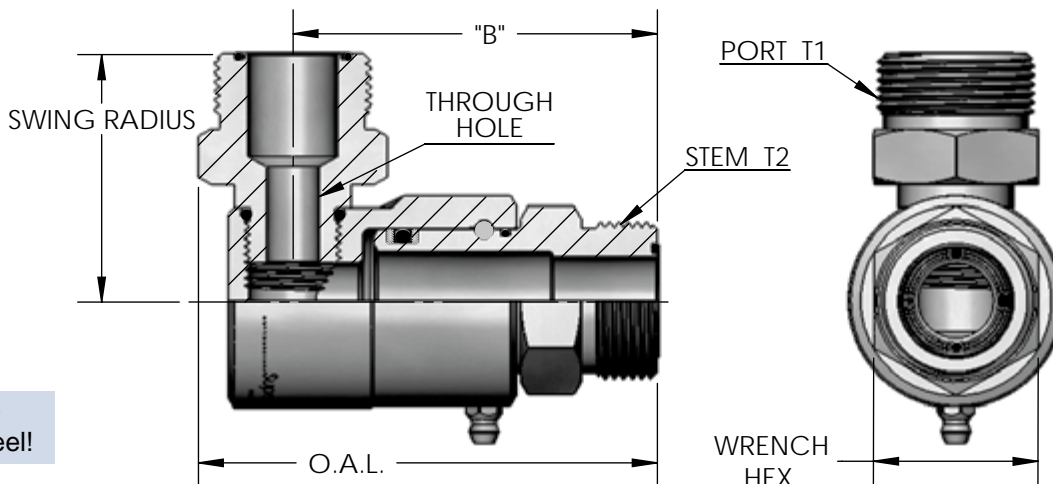
Male O-Ring (O.R.B.) X Male Face Seal (M.F.S.)



Not Available
In Stainless Steel!

| PART NUMBER | O.A.L. | DIM. B | WRENCH/HEX | PORT T1 | STEM T2 | SWG. RADIUS | MAX. P.S.I.G. | THROUGH HOLE |
|------------------------|--------|--------|------------|----------------|---------------|-------------|---------------|--------------|
| 9 SS 4 MO 4 X MFS 4 | 2.727 | 2.215 | 0.625 | 9/16-18 U.N. | 7/16-20 U.N. | 1.266 | 5000 | 0.172 |
| 9 SS 4 MO 6 X MFS 6 | 2.727 | 2.215 | 0.750 | 11/16-16 U.N. | 9/16-18 U.N. | 1.314 | 5000 | 0.265 |
| 9 SS 8 MO 8 X MFS 6 | 2.923 | 2.376 | 1.000 | 11/16-16 U.N. | 3/4-16 U.N. | 1.432 | 5000 | 0.265 |
| 9 SS 8 MO 8 X MFS 8 | 2.923 | 2.376 | 1.000 | 13/16-16 U.N. | 3/4-16 U.N. | 1.669 | 5000 | 0.265 |
| 9 SS 8 MO 8 X MFS 10 | 2.923 | 2.376 | 1.000 | 1-14 U.N. | 3/4-16 U.N. | 1.826 | 5000 | 0.265 |
| 9 SS 8 MO 10 X MFS 8 | 3.045 | 2.498 | 1.000 | 13/16-16 U.N. | 7/8-14 U.N. | 1.669 | 5000 | 0.265 |
| 9 SS 8 MO 10 X MFS 10 | 3.045 | 2.498 | 1.000 | 1-14 U.N. | 7/8-14 U.N. | 1.826 | 5000 | 0.265 |
| 9 SS 12 MO 12 X MFS 12 | 3.389 | 2.749 | 1.375 | 1 3/16-12 U.N. | 11/16-12 U.N. | 2.089 | 4500 | 0.389 |
| 9 SS 16 MO 16 X MFS 16 | 4.270 | 3.411 | 1.625 | 17/16-12 U.N. | 15/16-12 U.N. | 2.255 | 4000 | 0.484 |
| 9 SS 20 MO 20 X MFS 20 | 4.780 | 3.755 | 1.875 | 111/16-12 U.N. | 15/8-12 U.N. | 2.658 | 4000 | 0.718 |
| 9 SS 24 MO 24 X MFS 24 | 6.105 | 4.875 | 2.125 | 2-12 U.N. | 17/8-12 U.N. | 2.904 | 4000 | 0.844 |

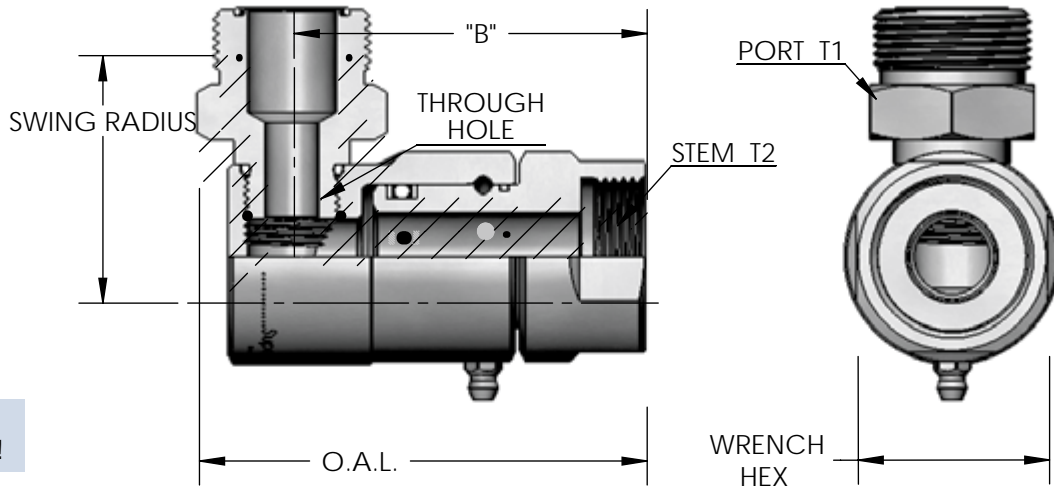
Male Face Seal (M.F.S.) X Male Face Seal (M.F.S.)



Not Available
In Stainless Steel!

| PART NUMBER | O.A.L. | DIM. B | PORT T1 | STEM T2 | WRENCH/HEX | SWING RADIUS | MAX P.S.I.G. | THROUGH HOLE |
|-------------------------|--------|--------|----------------|----------------|------------|--------------|--------------|--------------|
| 9 SS 4 MFS 6 X MFS 6 | 2.688 | 2.176 | 11/16-16 U.N. | 11/16-16 U.N. | 0.750 | 1.450 | 5000 | 0.250 |
| 9 SS 8 MFS 8 X MFS 8 | 2.909 | 2.362 | 13/16-16 U.N. | 13/16-16 U.N. | 1.000 | 1.706 | 5000 | 0.264 |
| 9 SS 8 MFS 10 X MFS 10 | 3.105 | 2.558 | 1-14 U.N. | 1-14 U.N. | 1.125 | 1.826 | 5000 | 0.297 |
| 9 SS 12 MFS 12 X MFS 12 | 3.385 | 2.745 | 13/16-12 U.N. | 13/16-12 U.N. | 1.250 | 2.135 | 4500 | 0.378 |
| 9 SS 16 MFS 16 X MFS 16 | 4.190 | 3.316 | 17/16-12 U.N. | 17/16-12 U.N. | 1.500 | 2.255 | 4000 | 0.484 |
| 9 SS 20 MFS 20 X MFS 20 | 4.670 | 3.649 | 111/16-16 U.N. | 111/16-12 U.N. | 1.750 | 2.658 | 4000 | 0.718 |
| 9 SS 24 MFS 24 X MFS 24 | 5.939 | 4.709 | 2-12 U.N. | 2-12 U.N. | 2.125 | 2.845 | 4000 | 0.811 |

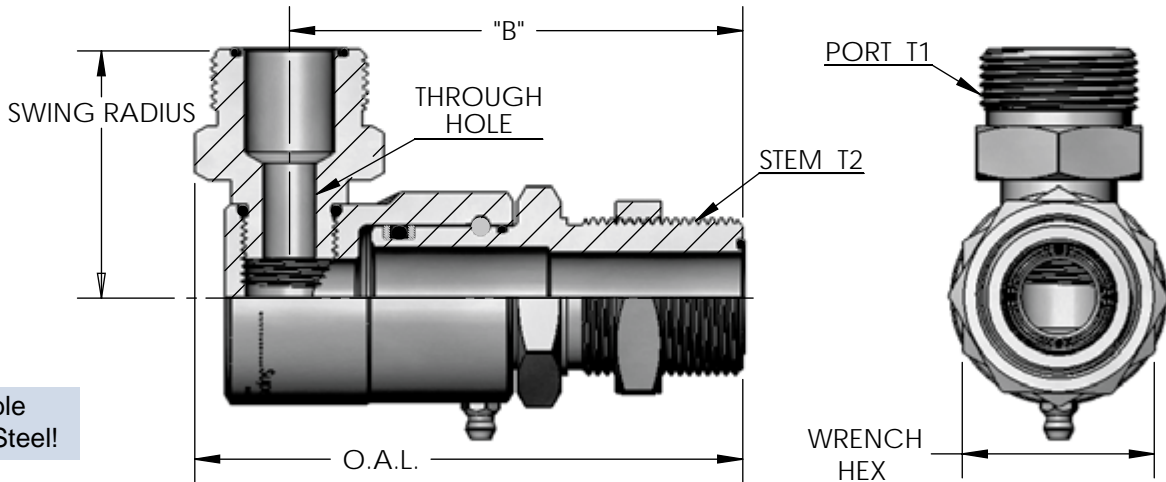
Female Face Seal (F.F.S.) X Male Face Seal (M.F.S.)



Not Available
In Stainless Steel!

| PART NUMBER | O.A.L. | DIM. B | DIM. C | PORT T1 | STEM T2 | WRENCH/HEX | SWING RADIUS | MAX P.S.I.G. | THROUGH HOLE |
|-------------------------|--------|--------|--------|--|--|------------|--------------|--------------|--------------|
| 9 SS 4 FFS 6 X MFS 6 | 2.465 | 1.950 | 0.375 | 11/16-16 U.N. | 11/16-16 U.N. | 0.875 | 1.450 | 5000 | 0.250 |
| 9 SS 8 FFS 8 X MFS 8 | 2.670 | 2.120 | 0.433 | 13/16-16 U.N. | 13/16-16 U.N. | 1.250 | 1.706 | 5000 | 0.264 |
| 9 SS 8 FFS 10 X MFS 10 | 2.720 | 2.170 | 0.504 | 1-14 U.N. | 1-14 U.N. | 1.250 | 1.826 | 5000 | 0.297 |
| 9 SS 12 FFS 12 X MFS 12 | 2.950 | 2.310 | 0.571 | 1 ³ / ₁₆ -12 U.N. | 1 ³ / ₁₆ -12 U.N. | 1.500 | 2.135 | 4500 | 0.378 |
| 9 SS 16 FFS 16 X MFS 16 | 3.750 | 2.890 | 0.583 | 1 ⁷ / ₁₆ -12 U.N. | 1 ⁷ / ₁₆ -12 U.N. | 1.750 | 2.255 | 4000 | 0.484 |
| 9 SS 20 FFS 20 X MFS 20 | 4.190 | 3.180 | 0.583 | 1 ¹¹ / ₁₆ -16 U.N. | 1 ¹¹ / ₁₆ -12 U.N. | 2.125 | 2.658 | 4000 | 0.718 |
| 9 SS 24 FFS 24 X MFS 24 | 5.400 | 4.180 | 0.583 | 2-12 U.N. | 2-12 U.N. | 2.375 | 2.845 | 4000 | 0.811 |

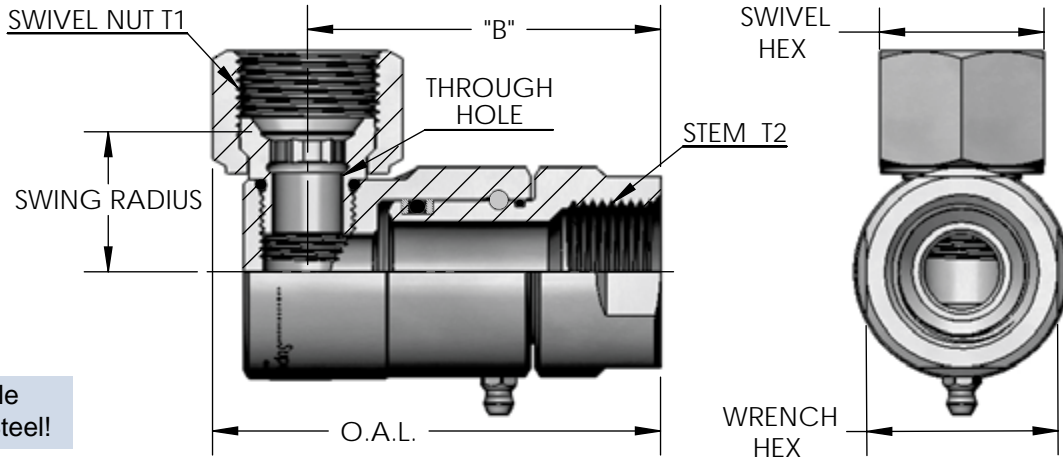
Male Face Seal Bulkhead (M.F.S.B.) X Male Face Seal (M.F.S.)



Not Available
In Stainless Steel!

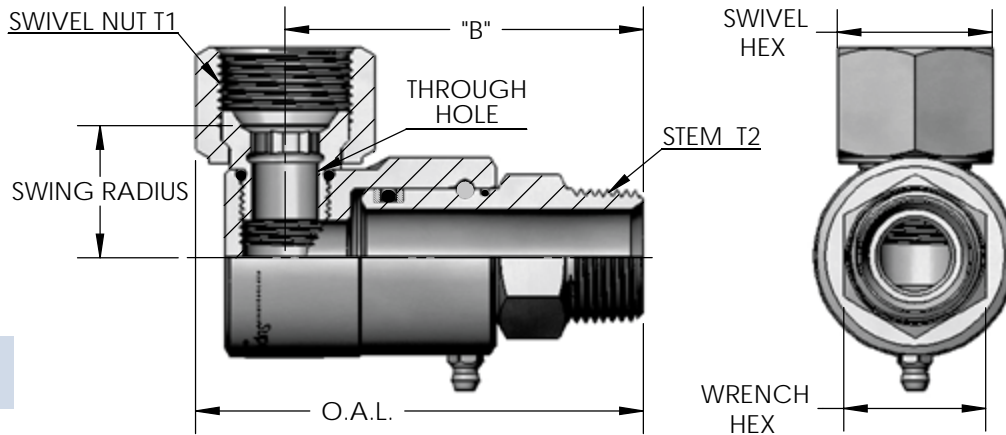
| PART NUMBER | O.A.L. | DIM. B | PORT T1 | STEM T2 | WRENCH/HEX | SWING RADIUS | MAX P.S.I.G. | THROUGH HOLE |
|--------------------------|--------|--------|--|--|------------|--------------|--------------|--------------|
| 9 SS 4 MFSB 6 X MFS 6 | 3.587 | 3.075 | 11/16-16 U.N. | 11/16-16 U.N. | 1.000 | 1.450 | 5000 | 0.250 |
| 9 SS 8 MFSB 8 X MFS 8 | 3.805 | 3.258 | 13/16-16 U.N. | 13/16-16 U.N. | 1.125 | 1.706 | 5000 | 0.264 |
| 9 SS 8 MFSB 10 X MFS 10 | 3.965 | 3.418 | 1-14 U.N. | 1-14 U.N. | 1.125 | 1.826 | 5000 | 0.297 |
| 9 SS 12 MFSB 12 X MFS 12 | 4.245 | 3.605 | 1 ³ / ₁₆ -12 U.N. | 1 ³ / ₁₆ -12 U.N. | 1.500 | 2.135 | 4500 | 0.378 |
| 9 SS 16 MFSB 16 X MFS 16 | 5.000 | 4.127 | 1 ⁷ / ₁₆ -12 U.N. | 1 ⁷ / ₁₆ -12 U.N. | 1.750 | 2.255 | 4000 | 0.484 |
| 9 SS 20 MFSB 20 X MFS 20 | 5.430 | 3.649 | 1 ¹¹ / ₁₆ -12 U.N. | 1 ¹¹ / ₁₆ -12 U.N. | 2.000 | 2.658 | 4000 | 0.718 |

Female Pipe (N.P.T.F.) X J.I.C. Swivel Nut (37°)



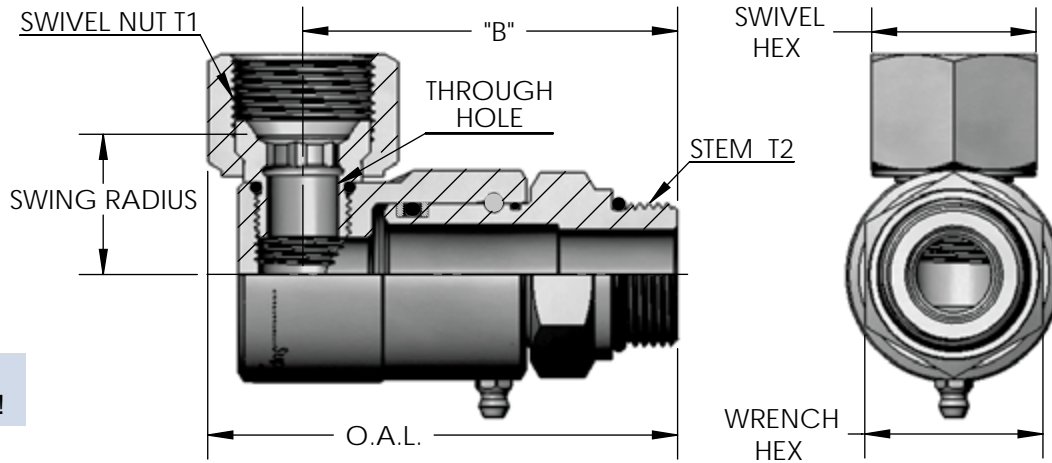
| PART NUMBER | O.A.L. | DIM. B | SWIVEL HEX | WRENCH/HEX | SWIVEL NUT T1 | STEM T2 | SWG. RADIUS | MAX P.S.I.G. | THROUGH HOLE |
|-------------------------|--------|--------|------------|------------|----------------|-----------------------|-------------|--------------|--------------|
| 9 SS 4 FP 25 X FJS 4 | 2.510 | 2.000 | 0.562 | 0.750 | 7/16-20 U.N. | 1/4-18 N.P.T.F. | 1.171 | 3500 | 0.165 |
| 9 SS 4 FP 25 X FJS 6 | 2.510 | 2.000 | 0.687 | 0.750 | 9/16-18 U.N. | 1/4-18 N.P.T.F. | 1.167 | 3500 | 0.250 |
| 9 SS 8 FP 38 X FJS 6 | 2.670 | 2.120 | 0.687 | 0.875 | 9/16-18 U.N. | 3/8-18 N.P.T.F. | 1.283 | 3500 | 0.290 |
| 9 SS 8 FP 50 X FJS 8 | 2.850 | 2.270 | 0.875 | 1.125 | 3/4-16 U.N. | 1/2-14 N.P.T.F. | 1.254 | 3500 | 0.290 |
| 9 SS 8 FP 50 X FJS 10 | 2.880 | 2.270 | 1.000 | 1.125 | 7/8-14 U.N. | 1/2-14 N.P.T.F. | 1.017 | 4500 | 0.320 |
| 9 SS 12 FP 75 X FJS 12 | 3.080 | 2.360 | 1.250 | 1.375 | 1 1/16-12 U.N. | 3/4-14 N.P.T.F. | 1.040 | 4500 | 0.460 |
| 9 SS 16 FP 100 X FJS 16 | 3.840 | 2.980 | 1.500 | 1.625 | 1 5/16-12 U.N. | 1-11 1/2 N.P.T.F. | 1.277 | 4000 | 0.650 |
| 9 SS 20 FP 125 X FJS 20 | 4.430 | 3.285 | 2.000 | 2.000 | 1 5/8-12 U.N. | 1 1/4-11 1/2 N.P.T.F. | 1.403 | 4000 | 0.790 |
| 9 SS 24 FP 150 X FJS 24 | 5.680 | 4.375 | 2.250 | 2.375 | 1 7/8-12 U.N. | 1 1/2-11 1/2 N.P.T.F. | 1.699 | 4000 | 0.920 |

Male Pipe (N.P.T.F.) X J.I.C. Swivel Nut (37°)



| PART NUMBER | O.A.L. | DIM. B | SWIVEL HEX | WRENCH/HEX | SWIVEL NUT T1 | STEM T2 | SWG. RADIUS | MAX P.S.I.G. | THROUGH HOLE |
|-------------------------|--------|--------|------------|------------|----------------|-----------------------|-------------|--------------|--------------|
| 9 SS 4 MP 25 X FJS 4 | 2.640 | 2.130 | 0.562 | 0.625 | 7/16-20 U.N. | 1/4-18 N.P.T.F. | 1.171 | 3500 | 0.165 |
| 9 SS 4 MP 38 X FJS 4 | 2.720 | 2.210 | 0.562 | 0.750 | 7/16-20 U.N. | 3/8-18 N.P.T.F. | 1.171 | 3500 | 0.165 |
| 9 SS 4 MP 25 X FJS 6 | 2.640 | 2.130 | 0.687 | 0.625 | 9/16-18 U.N. | 1/4-18 N.P.T.F. | 1.167 | 3500 | 0.250 |
| 9 SS 4 MP 38 X FJS 6 | 2.720 | 2.210 | 0.687 | 0.750 | 9/16-18 U.N. | 3/8-18 N.P.T.F. | 1.167 | 3500 | 0.250 |
| 9 SS 8 MP 38 X FJS 6 | 3.052 | 2.548 | 0.687 | 1.000 | 9/16-18 U.N. | 3/8-18 N.P.T.F. | 1.283 | 3500 | 0.290 |
| 9 SS 8 MP 50 X FJS 8 | 3.170 | 2.620 | 0.875 | 1.000 | 3/4-16 U.N. | 1/2-14 N.P.T.F. | 1.254 | 3500 | 0.290 |
| 9 SS 8 MP 50 X FJS 10 | 3.170 | 2.620 | 1.000 | 1.000 | 7/8-14 U.N. | 1/2-14 N.P.T.F. | 1.017 | 4500 | 0.320 |
| 9 SS 12 MP 75 X FJS 12 | 3.481 | 2.760 | 1.250 | 1.125 | 1 1/16-12 U.N. | 3/4-14 N.P.T.F. | 1.040 | 4500 | 0.460 |
| 9 SS 16 MP 100 X FJS 16 | 4.327 | 3.462 | 1.500 | 1.375 | 1 5/16-12 U.N. | 1-11 1/2 N.P.T.F. | 1.277 | 4000 | 0.650 |
| 9 SS 20 MP 125 X FJS 20 | 4.949 | 3.795 | 2.000 | 1.750 | 1 5/8-12 U.N. | 1 1/4-11 1/2 N.P.T.F. | 1.403 | 4000 | 0.790 |
| 9 SS 24 MP 150 X FJS 24 | 6.253 | 4.955 | 2.250 | 2.000 | 1 7/8-12 U.N. | 1 1/2-11 1/2 N.P.T.F. | 1.699 | 4000 | 0.920 |

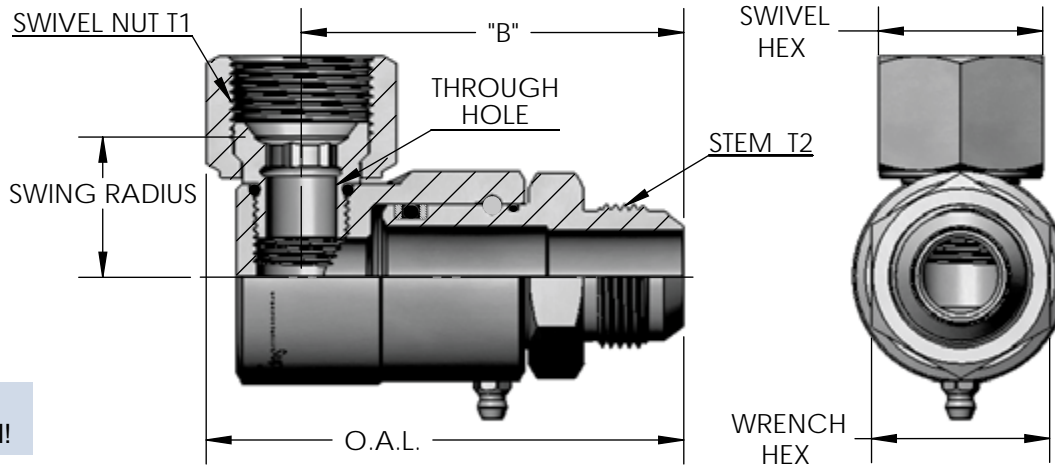
Male O-Ring (O.R.B.) X J.I.C. Swivel Nut (37°)



Not Available
In Stainless Steel!

| PART NUMBER | O.A.L. | DIM. B | SWIVEL HEX | WRENCH/HEX | SWIVEL NUT T1 | STEM T2 | SWG. RADIUS | MAX P.S.I.G. | THROUGH HOLE |
|------------------------|--------|--------|------------|------------|----------------|----------------|-------------|--------------|--------------|
| 9 SS 4 MO 6 X FJS 4 | 2.727 | 2.215 | 0.562 | 0.750 | 7/16-20 U.N. | 9/16-18 U.N. | 1.171 | 3500 | 0.165 |
| 9 SS 4 MO 6 X FJS 6 | 2.727 | 2.215 | 0.687 | 0.750 | 9/16-18 U.N. | 9/16-18 U.N. | 1.167 | 3500 | 0.250 |
| 9 SS 8 MO 8 X FJS 6 | 2.923 | 2.376 | 0.687 | 1.000 | 9/16-18 U.N. | 3/4-16 U.N. | 1.283 | 3500 | 0.290 |
| 9 SS 8 MO 8 X FJS 8 | 2.953 | 2.376 | 0.875 | 1.000 | 3/4-16 U.N. | 3/4-16 U.N. | 1.254 | 3500 | 0.290 |
| 9 SS 8 MO 10 X FJS 10 | 3.075 | 2.498 | 1.000 | 1.000 | 7/8-14 U.N. | 7/8-14 U.N. | 1.017 | 4500 | 0.320 |
| 9 SS 12 MO 12 X FJS 12 | 3.470 | 2.749 | 1.250 | 1.375 | 1 1/16-12 U.N. | 1 1/16-12 U.N. | 1.040 | 4500 | 0.460 |
| 9 SS 16 MO 16 X FJS 16 | 4.276 | 3.411 | 1.500 | 1.625 | 1 5/16-12 U.N. | 1 5/16-12 U.N. | 1.277 | 4000 | 0.650 |
| 9 SS 20 MO 20 X FJS 20 | 4.909 | 3.755 | 2.000 | 1.750 | 1 5/8-12 U.N. | 1 5/8-12 U.N. | 1.403 | 4000 | 0.790 |
| 9 SS 24 MO 24 X FJS 24 | 6.173 | 4.875 | 2.250 | 2.125 | 1 7/8-12 U.N. | 1 7/8-12 U.N. | 1.699 | 4000 | 0.920 |

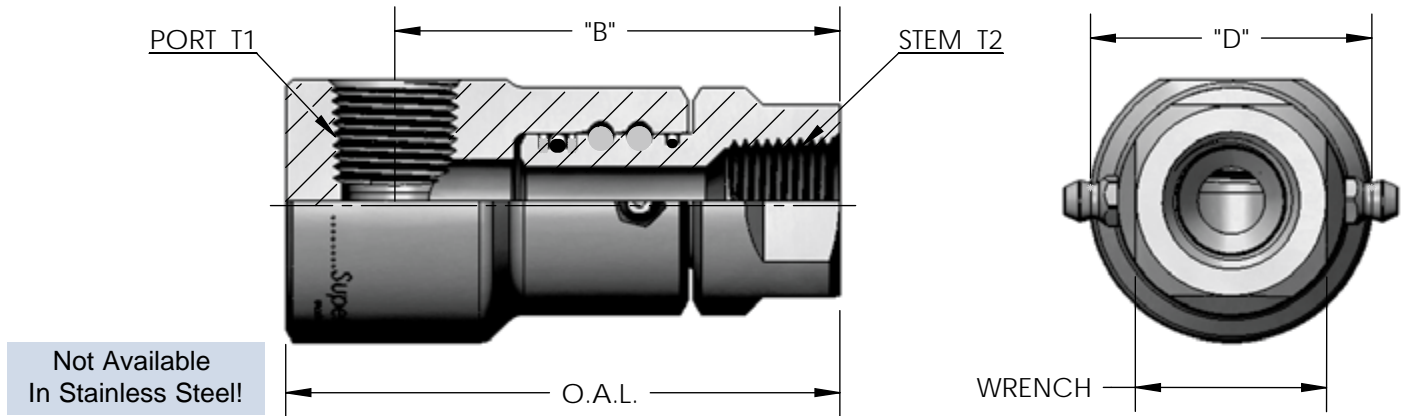
Male J.I.C. (37°) X J.I.C. Swivel Nut (37°)



Not Available
In Stainless Steel!

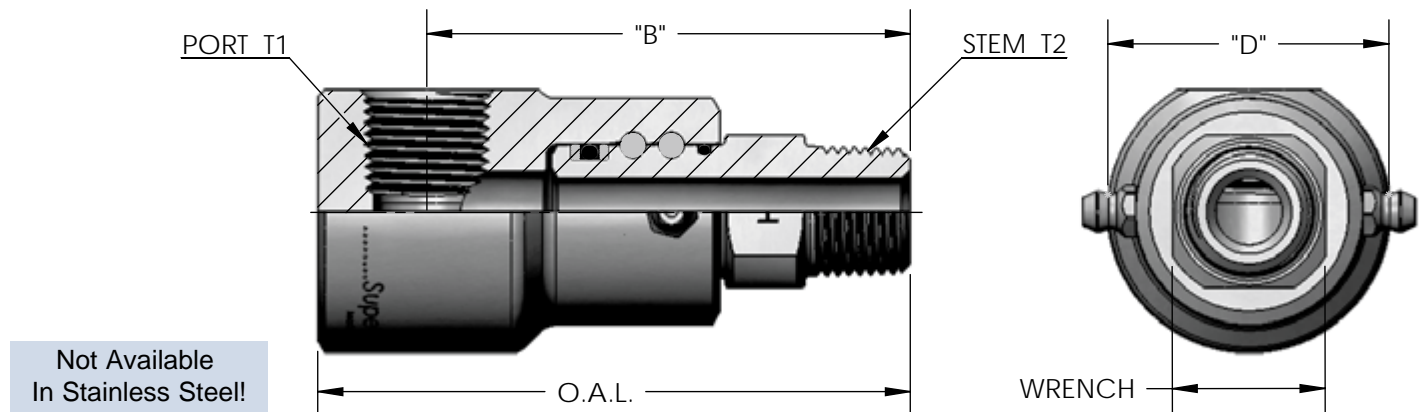
| PART NUMBER | O.A.L. | DIM. B | SWIVEL HEX | WRENCH/HEX | SWIVEL NUT T1 | STEM T2 | SWG. RADIUS | MAX P.S.I.G. | THROUGH HOLE |
|------------------------|--------|--------|------------|------------|----------------|----------------|-------------|--------------|--------------|
| 9 SS 4 MJ 6 X FJS 4 | 2.887 | 2.375 | 0.562 | 0.750 | 7/16-20 U.N. | 9/16-18 U.N. | 1.171 | 3500 | 0.165 |
| 9 SS 4 MJ 6 X FJS 6 | 2.887 | 2.375 | 0.687 | 0.750 | 9/16-18 U.N. | 9/16-18 U.N. | 1.167 | 3500 | 0.250 |
| 9 SS 8 MJ 8 X FJS 6 | 3.070 | 2.523 | 0.687 | 1.000 | 9/16-18 U.N. | 3/4-16 U.N. | 1.283 | 3500 | 0.290 |
| 9 SS 8 MJ 8 X FJS 8 | 3.100 | 2.523 | 0.875 | 1.000 | 3/4-16 U.N. | 3/4-16 U.N. | 1.254 | 3500 | 0.290 |
| 9 SS 8 MJ 8 X FJS 10 | 3.100 | 2.523 | 1.000 | 1.000 | 7/8-14 U.N. | 3/4-16 U.N. | 1.017 | 4500 | 0.320 |
| 9 SS 8 MJ 10 X FJS 10 | 3.200 | 2.623 | 1.000 | 1.000 | 7/8-14 U.N. | 7/8-14 U.N. | 1.017 | 4500 | 0.320 |
| 9 SS 12 MJ 12 X FJS 12 | 3.606 | 2.885 | 1.250 | 1.375 | 1 1/16-12 U.N. | 1 1/16-12 U.N. | 1.040 | 4500 | 0.460 |
| 9 SS 16 MJ 16 X FJS 16 | 4.348 | 3.482 | 1.500 | 1.625 | 1 5/16-12 U.N. | 1 5/16-12 U.N. | 1.277 | 4000 | 0.650 |
| 9 SS 20 MJ 20 X FJS 20 | 4.989 | 3.835 | 2.000 | 1.750 | 1 5/8-12 U.N. | 1 5/8-12 U.N. | 1.403 | 4000 | 0.790 |
| 9 SS 24 MJ 24 X FJS 24 | 6.343 | 5.045 | 2.250 | 2.125 | 1 7/8-12 U.N. | 1 7/8-12 U.N. | 1.699 | 4000 | 0.920 |

10,000 P.S.I. Female Pipe (N.P.T.F.) X Female Pipe (N.P.T.F.)



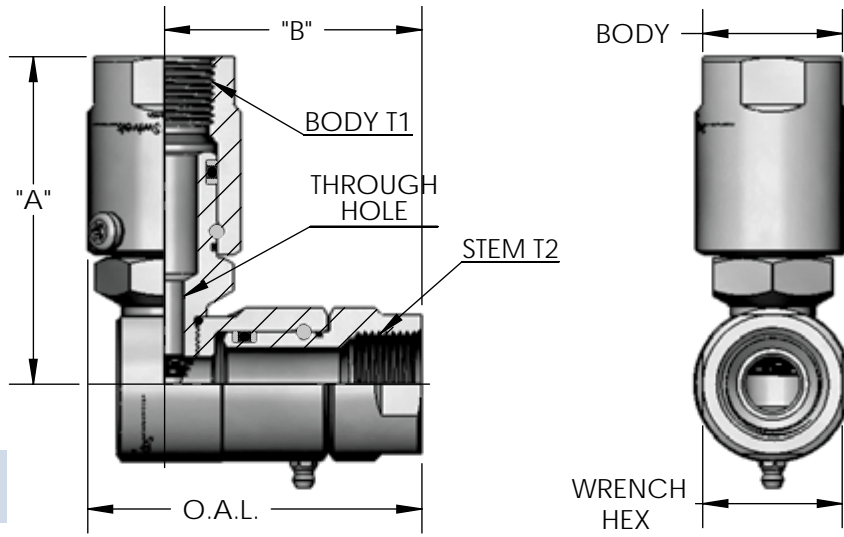
| PART NUMBER | O.A.L. | DIM. B | DIM. D Ø | WRENCH | PORT T1 | STEM T2 | SWG. RADIUS | MAX. P.S.I.G. | THROUGH HOLE |
|-------------------------|--------|--------|----------|--------|-----------------|-----------------|-------------|---------------|--------------|
| 9 SS 8 HP FP 50 X FP 50 | 3.470 | 2.895 | 1.842 | 1.125 | 1/2-14 N.P.T.F. | 1/2-14 N.P.T.F. | 1.048 | 10,000 | 0.437 |

10,000 P.S.I. Male Pipe (N.P.T.F.) X Female Pipe (N.P.T.F.)



| PART NUMBER | O.A.L. | DIM. B | DIM. D Ø | WRENCH | PORT T1 | STEM T2 | SWG. RADIUS | MAX. P.S.I.G. | THROUGH HOLE |
|-------------------------|--------|--------|----------|--------|-----------------|-----------------|-------------|---------------|--------------|
| 9 SS 8 HP MP 50 X FP 50 | 3.855 | 3.145 | 1.842 | 1.000 | 1/2-14 N.P.T.F. | 1/2-14 N.P.T.F. | 1.048 | 10,000 | 0.437 |

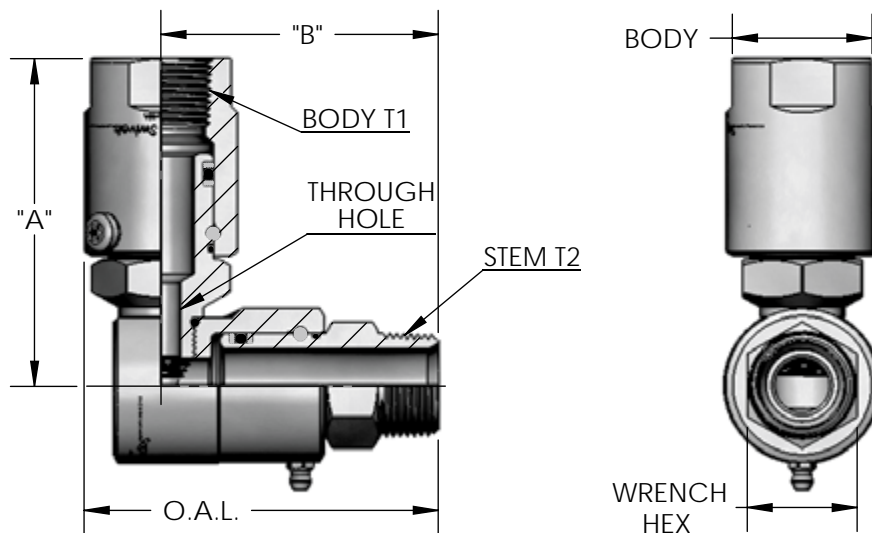
Female Pipe (N.P.T.F.) X Female Pipe (N.P.T.F.)



Not Available
In Stainless Steel!

| PART NUMBER | O.A.L. | DIM. B | BODY | WRENCH/HEX | BODY T1 | STEM T2 | DIM. A | MAX. P.S.I.G. | THROUGH HOLE |
|-------------------------|--------|--------|-------|------------|-----------------------|-----------------------|--------|---------------|--------------|
| 9 DP 4 FP 25 X FP 25 | 2.480 | 2.000 | 0.875 | 0.750 | 1/4-18 N.P.T.F. | 1/4-18 N.P.T.F. | 2.689 | 5000 | 0.250 |
| 9 DP 8 FP 38 X FP 38 | 2.770 | 2.120 | 1.125 | 0.875 | 3/8-18 N.P.T.F. | 3/8-18 N.P.T.F. | 3.063 | 5000 | 0.297 |
| 9 DP 8 FP 50 X FP 50 | 2.920 | 2.270 | 1.250 | 1.125 | 1/2-14 N.P.T.F. | 1/2-14 N.P.T.F. | 3.053 | 5000 | 0.297 |
| 9 DP 12 FP 75 X FP 75 | 3.200 | 2.360 | 1.500 | 1.375 | 3/4-14 N.P.T.F. | 3/4-14 N.P.T.F. | 3.190 | 4500 | 0.391 |
| 9 DP 16 FP 100 X FP 100 | 3.940 | 2.980 | 1.75 | 1.625 | 1-11 1/2 N.P.T.F. | 1-11 1/2 N.P.T.F. | 4.090 | 4000 | 0.484 |
| 9 DP 20 FP 125 X FP 125 | 4.460 | 3.285 | 2.125 | 2.000 | 1 1/4-11 1/2 N.P.T.F. | 1 1/4-11 1/2 N.P.T.F. | 4.631 | 4000 | 0.718 |
| 9 DP 24 FP 150 X FP 150 | 5.650 | 4.375 | 2.375 | 2.375 | 1 1/2-11 1/2 N.P.T.F. | 1 1/2-11 1/2 N.P.T.F. | 5.351 | 4000 | 0.844 |

Male Pipe (N.P.T.F.) X Female Pipe (N.P.T.F.)



Not Available
In Stainless Steel!

| PART NUMBER | O.A.L. | DIM. B | BODY | WRENCH/HEX | BODY T1 | STEM T2 | DIM. A | MAX. P.S.I.G. | THROUGH HOLE |
|-------------------------|--------|--------|-------|------------|-----------------------|-----------------------|--------|---------------|--------------|
| 9 DP 4 MP 25 X FP 25 | 2.640 | 2.130 | 0.875 | 0.625 | 1/4-18 N.P.T.F. | 1/4-18 N.P.T.F. | 2.689 | 5000 | 0.250 |
| 9 DP 8 MP 38 X FP 38 | 3.193 | 2.548 | 1.125 | 1.000 | 3/8-18 N.P.T.F. | 3/8-18 N.P.T.F. | 3.063 | 5000 | 0.297 |
| 9 DP 8 MP 50 X FP 50 | 3.318 | 2.673 | 1.250 | 1.000 | 1/2-14 N.P.T.F. | 1/2-14 N.P.T.F. | 3.053 | 5000 | 0.297 |
| 9 DP 12 MP 75 X FP 75 | 3.598 | 2.760 | 1.500 | 1.125 | 3/4-14 N.P.T.F. | 3/4-14 N.P.T.F. | 3.190 | 4500 | 0.391 |
| 9 DP 16 MP 100 X FP 100 | 4.420 | 3.462 | 1.750 | 1.375 | 1-11 1/2 N.P.T.F. | 1-11 1/2 N.P.T.F. | 4.090 | 4000 | 0.484 |
| 9 DP 20 MP 125 X FP 125 | 4.973 | 3.795 | 2.125 | 1.750 | 1 1/4-11 1/2 N.P.T.F. | 1 1/4-11 1/2 N.P.T.F. | 4.631 | 4000 | 0.718 |
| 9 DP 24 MP 150 X FP 150 | 6.229 | 4.955 | 2.375 | 2.000 | 1 1/2-11 1/2 N.P.T.F. | 1 1/2-11 1/2 N.P.T.F. | 5.351 | 4000 | 0.844 |

90° Dual Plane Swivels



Switch Your Swivel!®

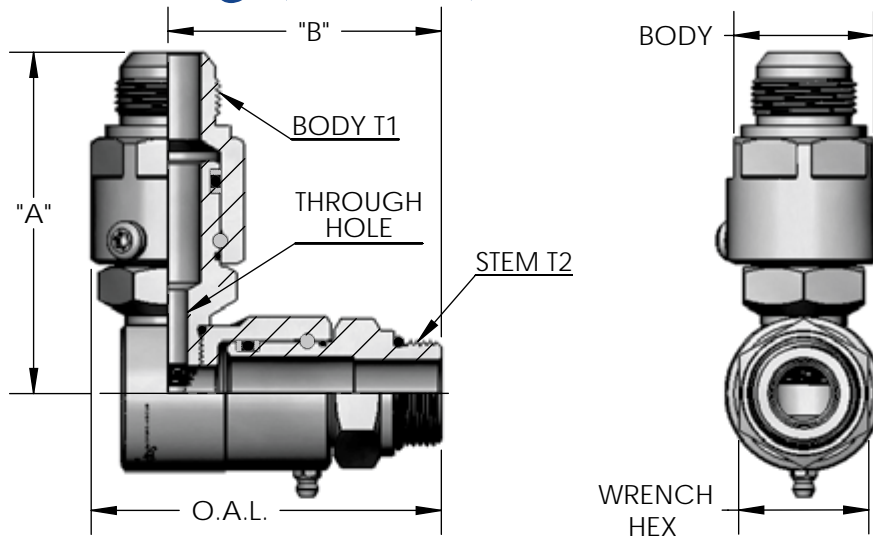
www.SuperSwivels.com

Email: sales@superswivels.com

763-784-5531

Fax: 763-784-7423

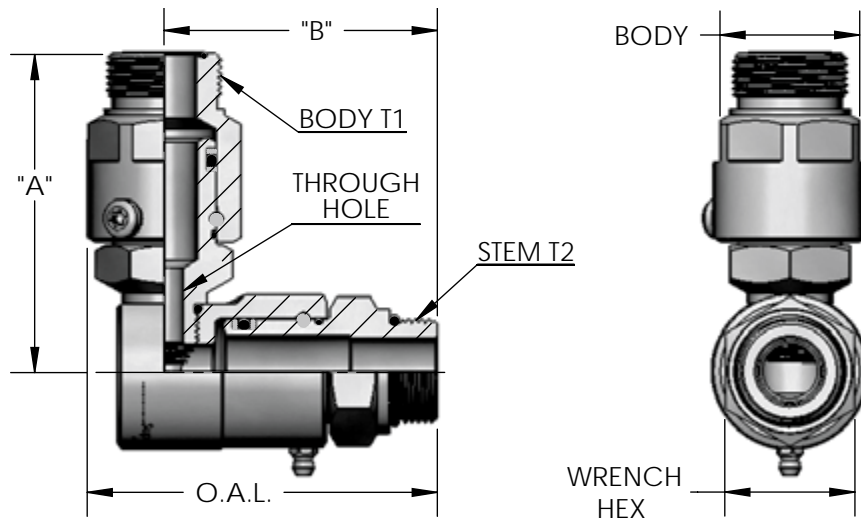
Male O-Ring (O.R.B.) X Male J.I.C. (37°)



Not Available
In Stainless Steel!

| PART NUMBER | O.A.L. | DIM. B | BODY | WRENCH/HEX | BODY T1 | STEM T2 | DIM. A | MAX. P.S.I.G. | THROUGH HOLE |
|-----------------------|--------|--------|-------|------------|----------------|----------------|--------|---------------|--------------|
| 9 DP 4 MO 4 X MJ 4 | 2.792 | 2.215 | 1.000 | 0.625 | 7/16-20 U.N. | 7/16-20 U.N. | 2.689 | 5000 | 0.172 |
| 9 DP 4 MO 6 X MJ 6 | 2.792 | 2.215 | 1.000 | 0.750 | 9/16-18 U.N. | 9/16-18 U.N. | 2.689 | 5000 | 0.250 |
| 9 DP 8 MO 8 X MJ 8 | 3.021 | 2.376 | 1.375 | 1.000 | 3/4-16 U.N. | 3/4-16 U.N. | 3.103 | 5000 | 0.297 |
| 9 DP 8 MO 10 X MJ 10 | 3.291 | 2.498 | 1.375 | 1.000 | 7/8-14 U.N. | 7/8-14 U.N. | 3.253 | 5000 | 0.297 |
| 9 DP 12 MO 12 X MJ 12 | 3.615 | 2.749 | 1.500 | 1.375 | 1 1/16-12 U.N. | 1 1/16-12 U.N. | 3.465 | 4500 | 0.391 |
| 9 DP 16 MO 16 X MJ 16 | 4.370 | 3.411 | 1.750 | 1.625 | 1 5/16-12 U.N. | 1 5/16-12 U.N. | 4.260 | 4000 | 0.484 |
| 9 DP 20 MO 20 X MJ 20 | 4.934 | 3.755 | 2.125 | 1.875 | 1 5/8-12 U.N. | 1 5/8-12 U.N. | 4.796 | 4000 | 0.718 |
| 9 DP 24 MO 24 X MJ 24 | 6.149 | 4.875 | 2.375 | 2.125 | 1 7/8-12 U.N. | 1 7/8-12 U.N. | 5.510 | 4000 | 0.844 |

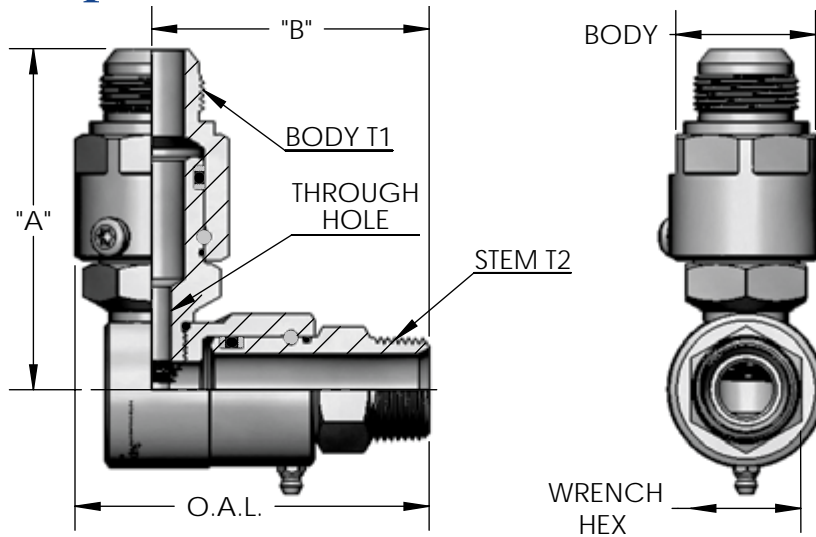
Male O-Ring (O.R.B.) X Male Face Seal (M.F.S.)



Not Available
In Stainless Steel!

| PART NUMBER | O.A.L. | DIM. B | BODY | WRENCH/HEX | BODY T1 | STEM T2 | DIM. A | MAX. P.S.I.G. | THROUGH HOLE |
|------------------------|--------|--------|-------|------------|-----------------|----------------|--------|---------------|--------------|
| 9 DP 4 MO 6 X MFS 6 | 2.792 | 2.215 | 1.000 | 0.750 | 11/16-16 U.N. | 9/16-18 U.N. | 2.609 | 5000 | 0.250 |
| 9 DP 8 MO 8 X MFS 8 | 3.169 | 2.376 | 1.375 | 1.000 | 13/16-16 U.N. | 3/4-16 U.N. | 2.912 | 5000 | 0.297 |
| 9 DP 8 MO 10 X MFS 10 | 3.291 | 2.498 | 1.375 | 1.000 | 1-14 U.N. | 7/8-14 U.N. | 3.018 | 5000 | 0.291 |
| 9 DP 12 MO 12 X MFS 12 | 3.615 | 2.749 | 1.500 | 1.375 | 1 3/16-12 U.N. | 1 1/16-12 U.N. | 3.239 | 4500 | 0.391 |
| 9 DP 16 MO 16 X MFS 16 | 4.370 | 3.411 | 1.750 | 1.625 | 1 7/16-12 U.N. | 1 5/16-12 U.N. | 3.970 | 4000 | 0.484 |
| 9 DP 20 MO 20 X MFS 20 | 4.934 | 3.755 | 2.125 | 1.875 | 1 11/16-12 U.N. | 1 5/8-12 U.N. | 4.446 | 4000 | 0.718 |
| 9 DP 24 MO 24 X MFS 24 | 6.149 | 4.875 | 2.375 | 2.125 | 2-12 U.N. | 1 7/8-12 U.N. | 5.116 | 4000 | 0.844 |

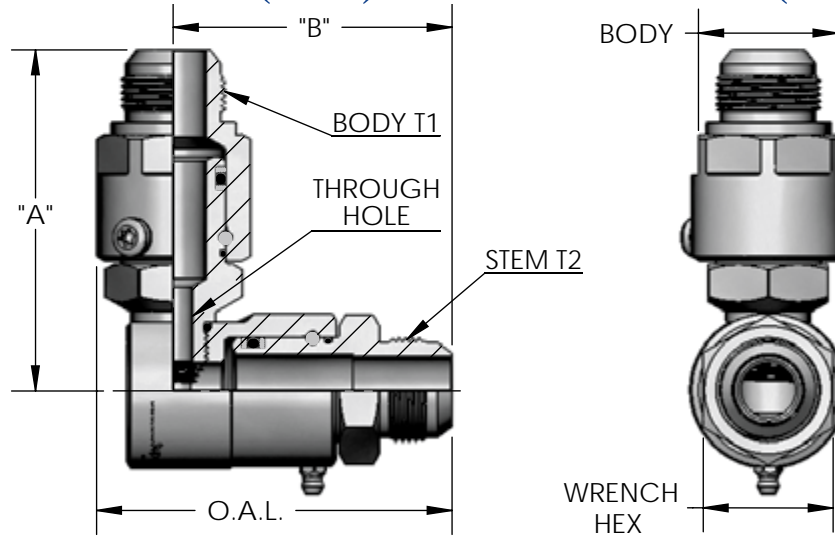
Male Pipe (N.P.T.F.) X Male J.I.C. (37°)



Not Available
In Stainless Steel!

| PART NUMBER | O.A.L. | DIM. B | BODY | WRENCH/HEX | BODY T1 | STEM T2 | DIM. A | MAX. P.S.I.G. | THROUGH HOLE |
|------------------------|--------|--------|-------|------------|----------------|-----------------------|--------|---------------|--------------|
| 9 DP 4 MP 25 X MJ 4 | 2.640 | 2.130 | 1.000 | 0.625 | 7/16-20 U.N. | 1/4-18 N.P.T.F. | 2.689 | 5000 | 0.172 |
| 9 DP 4 MP 38 X MJ 6 | 2.720 | 2.210 | 1.000 | 1.000 | 9/16-18 U.N. | 3/8-18 N.P.T.F. | 2.807 | 5000 | 0.250 |
| 9 DP 8 MP 50 X MJ 8 | 3.360 | 2.620 | 1.375 | 1.000 | 3/4-16 U.N. | 1/2-14 N.P.T.F. | 3.103 | 5000 | 0.297 |
| 9 DP 8 MP 50 X MJ 10 | 3.360 | 2.620 | 1.375 | 1.000 | 7/8-14 U.N. | 1/2-14 N.P.T.F. | 3.253 | 5000 | 0.297 |
| 9 DP 12 MP 75 X MJ 12 | 3.626 | 2.760 | 1.500 | 1.125 | 1 1/16-12 U.N. | 3/4-14 N.P.T.F. | 3.465 | 4500 | 0.391 |
| 9 DP 16 MP 100 X MJ 16 | 4.420 | 3.462 | 1.750 | 1.375 | 1 5/16-12 U.N. | 1-11 1/2 N.P.T.F. | 4.260 | 4000 | 0.484 |
| 9 DP 20 MP 125 X MJ 20 | 4.973 | 3.795 | 2.125 | 1.750 | 1 5/8-12 U.N. | 1 1/4-11 1/2 N.P.T.F. | 4.796 | 4000 | 0.718 |
| 9 DP 24 MP 150 X MJ 24 | 6.229 | 4.955 | 2.375 | 2.000 | 1 7/8-12 U.N. | 1 1/2-11 1/2 N.P.T.F. | 5.510 | 4000 | 0.844 |

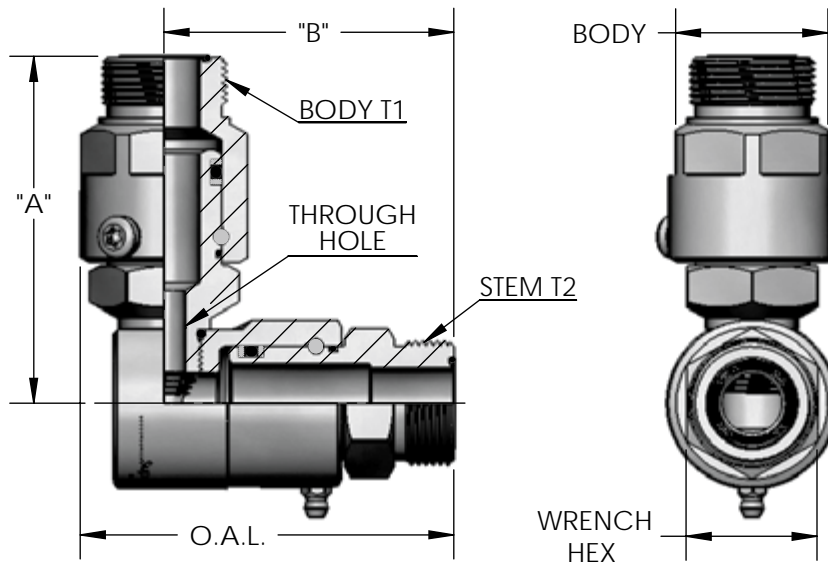
Male J.I.C. (37°) X Male J.I.C. (37°)



Not Available
In Stainless Steel!

| PART NUMBER | O.A.L. | DIM. B | BODY | WRENCH/HEX | BODY T1 | STEM T2 | DIM. A | MAX. P.S.I.G. | THROUGH HOLE |
|-----------------------|--------|--------|-------|------------|----------------|----------------|--------|---------------|--------------|
| 9 DP 4 MJ 4 X MJ 4 | 2.837 | 2.325 | 1.000 | 0.750 | 7/16-20 U.N. | 7/16-20 U.N. | 2.689 | 5000 | 0.172 |
| 9 DP 4 MJ 6 X MJ 6 | 2.922 | 2.345 | 1.000 | 0.750 | 9/16-18 U.N. | 9/16-18 U.N. | 2.689 | 5000 | 0.250 |
| 9 DP 8 MJ 8 X MJ 8 | 3.168 | 2.523 | 1.375 | 1.000 | 3/4-16 U.N. | 3/4-16 U.N. | 3.103 | 5000 | 0.297 |
| 9 DP 8 MJ 10 X MJ 10 | 3.416 | 2.623 | 1.375 | 1.000 | 7/8-14 U.N. | 7/8-14 U.N. | 3.253 | 5000 | 0.297 |
| 9 DP 12 MJ 12 X MJ 12 | 3.751 | 2.885 | 1.500 | 1.375 | 1 1/16-12 U.N. | 1 1/16-12 U.N. | 3.465 | 4500 | 0.391 |
| 9 DP 16 MJ 16 X MJ 16 | 4.441 | 3.482 | 1.750 | 1.625 | 1 5/16-12 U.N. | 1 5/16-12 U.N. | 4.260 | 4000 | 0.484 |
| 9 DP 20 MJ 20 X MJ 20 | 5.013 | 3.835 | 2.125 | 1.750 | 1 5/8-12 U.N. | 1 5/8-12 U.N. | 4.796 | 4000 | 0.718 |
| 9 DP 24 MJ 24 X MJ 24 | 6.319 | 5.045 | 2.375 | 2.125 | 1 7/8-12 U.N. | 1 7/8-12 U.N. | 5.510 | 4000 | 0.844 |

Male Face Seal (M.F.S.) X Male Face Seal (M.F.S.)



Not Available
In Stainless Steel!

| PART NUMBER | O.A.L. | DIM. B | BODY | WRENCH/HEX | BODY T1 | STEM T2 | DIM. A | MAX. P.S.I.G. | THROUGH HOLE |
|-------------------------|--------|--------|-------|------------|-----------------|-----------------|--------|---------------|--------------|
| 9 DP 4 MFS 6 X MFS 6 | 2.753 | 2.176 | 1.000 | 0.750 | 11/16-16 U.N. | 11/16-16 U.N. | 2.609 | 5000 | 0.250 |
| 9 DP 8 MFS 8 X MFS 8 | 3.155 | 2.362 | 1.375 | 1.000 | 13/16-16 U.N. | 13/16-16 U.N. | 2.912 | 5000 | 0.297 |
| 9 DP 8 MFS 10 X MFS 10 | 3.351 | 2.558 | 1.375 | 1.125 | 1-14 U.N. | 1-14 U.N. | 3.018 | 5000 | 0.297 |
| 9 DP 12 MFS 12 X MFS 12 | 3.610 | 2.745 | 1.500 | 1.250 | 1 3/16-12 U.N. | 1 3/16-12 U.N. | 3.239 | 4500 | 0.391 |
| 9 DP 16 MFS 16 X MFS 16 | 4.274 | 3.316 | 1.750 | 1.500 | 1 7/16-12 U.N. | 1 7/16-12 U.N. | 3.970 | 4000 | 0.484 |
| 9 DP 20 MFS 20 X MFS 20 | 4.827 | 3.649 | 2.125 | 1.750 | 1 11/16-12 U.N. | 1 11/16-12 U.N. | 4.446 | 4000 | 0.718 |
| 9 DP 24 MFS 24 X MFS 24 | 5.982 | 4.709 | 2.375 | 2.125 | 2-12 U.N. | 2-12 U.N. | 5.116 | 4000 | 0.844 |

Swivel 3D CAD Models Are Available



Super Swivels 3D CAD models are available
for all of the standard catalog items.

Call to have us send you the digital file to download.

BSPP

Inline & 90° Swivels



Switch Your Swivel!®

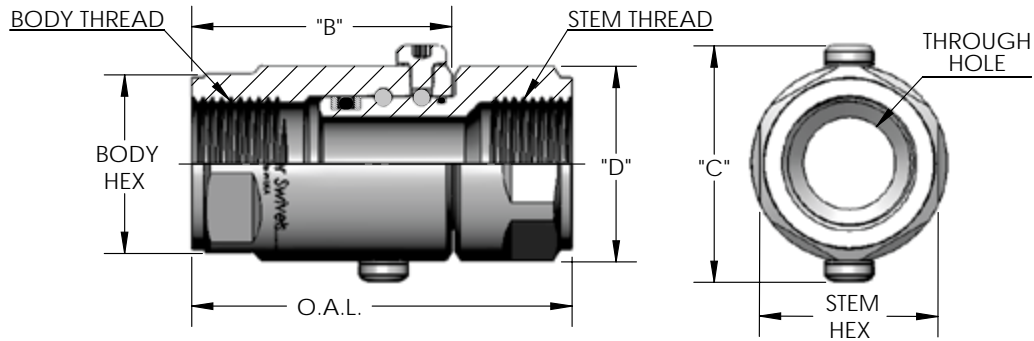
www.SuperSwivels.com

Email: sales@superswivels.com

763-784-5531

Fax: 763-784-7423

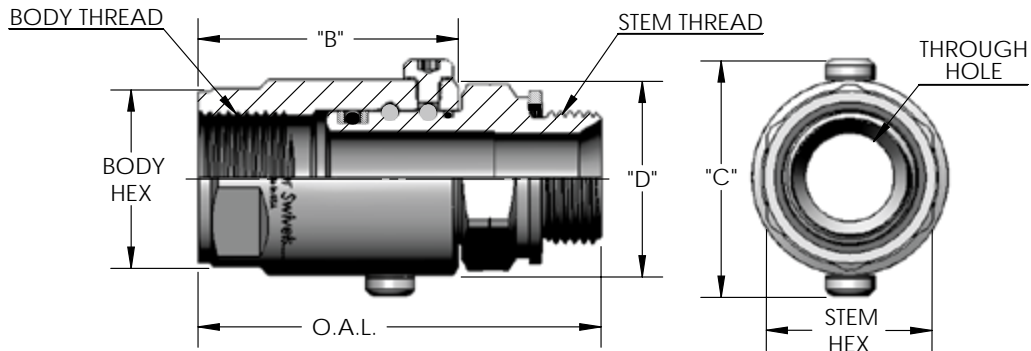
Female BSPP X Female BSPP



Not Available
In Stainless Steel!

| PART NUMBER | O.A.L. | DIM. B | DIM. D Ø | DIM. C | WRENCH HEX. | BODY THREAD | STEM THREAD | MAX. PRES. | THROUGH HOLE |
|------------------------------|-------------------|------------------|------------------|------------------|------------------|-----------------|-----------------|--------------|------------------|
| SS 4 FBSPP 4 X FBSPP 4 | 2.570 65.3 mm | 1.720 43.7 mm | 0.992 25.2 mm | 1.122 28.5 mm | 0.875 22.2 mm | G 1/4-19 BSPP | G 1/4-19 BSPP | 345 5,000 | 0.250 6.3 mm |
| SS 6 FBSPP 6 X FBSPP 6 | 2.663 67.6 mm | 1.780 45.2 mm | 1.302 33.1 mm | 1.702 43.2 mm | 1.187 30.1 mm | G 3/8-19 BSPP | G 3/8-19 BSPP | 345 5,000 | 0.312 7.9 mm |
| SS 8 DB FBSPP 8 X FBSPP 8 | 3.007 76.4 mm | 2.080 52.8 mm | 1.480 37.6 mm | 1.880 47.8 mm | 1.312 33.3 mm | G 1/2-14 BSPP | G 1/2-14 BSPP | 345 5,000 | 0.406 10.3 mm |
| SS 12 DB FBSPP 12 X FBSPP 12 | 3.102 78.8 mm | 2.100 53.3 mm | 1.675 42.5 mm | 2.070 52.6 mm | 1.500 38.1 mm | G 3/4-14 BSPP | G 3/4-14 BSPP | 345 5,000 | 0.630 16.0 mm |
| SS 16 DB FBSPP 16 X FBSPP 16 | 3.725 94.6 mm | 2.550 64.8 mm | 1.917 48.7 mm | 2.320 58.9 mm | 1.750 44.4 mm | G 1-11 BSPP | G 1-11 BSPP | 310 4,500 | 0.787 20.0 mm |
| SS 20 FBSPP 20 X FBSPP 20 | 4.040 102.6 mm | 2.650 67.3 mm | 2.358 59.9 mm | 2.760 70.1 mm | 2.125 54.0 mm | G 1 1/4-11 BSPP | G 1 1/4-11 BSPP | 275 4,000 | 0.984 25.0 mm |
| SS 24 FBSPP 24 X FBSPP 24 | 4.640 117.9 mm | 3.250 82.5 mm | 2.548 64.7 mm | 2.950 74.9 mm | 2.375 60.3 mm | G 1 1/2-11 BSPP | G 1 1/2-11 BSPP | 275 4,000 | 1.260 32.0 mm |

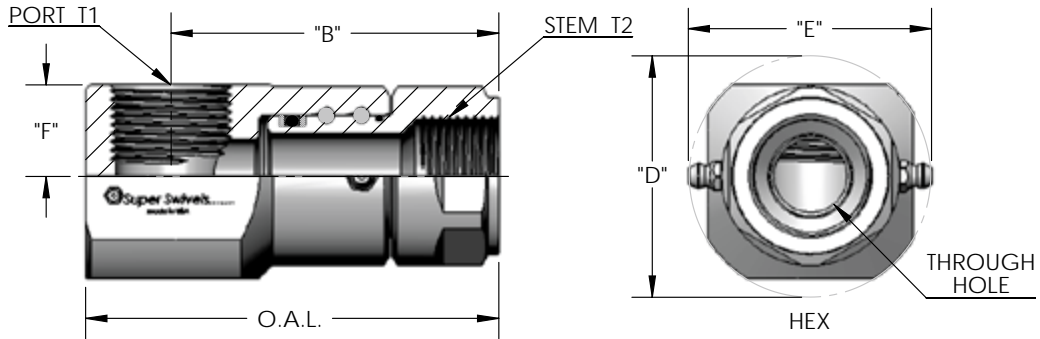
Male BSPP X Female BSPP



Not Available
In Stainless Steel!

| PART NUMBER (Inches) | O.A.L. | DIM. B | DIM. D Ø | DIM. C | WRENCH HEX. | BODY THREAD | STEM THREAD | MAX. PRES. | THROUGH HOLE |
|------------------------------|-------------------|------------------|------------------|------------------|------------------|-----------------|-----------------|--------------|------------------|
| SS 4 MBSPP 4 X FBSPP 4 | 2.665 67.7 mm | 1.720 43.7 mm | 0.992 25.2 mm | 1.122 28.4 mm | 0.812 20.6 mm | G 1/4-19 BSPP | G 1/4-19 BSPP | 345 5,000 | 0.250 6.3 mm |
| SS 6 MBSPP 6 X FBSPP 6 | 2.728 69.3 mm | 1.780 45.2 mm | 1.302 33.1 mm | 1.702 43.2 mm | 0.937 23.8 mm | G 3/8-19 BSPP | G 3/8-19 BSPP | 345 5,000 | 0.312 7.9 mm |
| SS 8 DB MBSPP 8 X FBSPP 8 | 3.102 78.8 mm | 2.080 52.8 mm | 1.480 37.6 mm | 1.880 47.7 mm | 1.125 28.6 mm | G 1/2-14 BSPP | G 1/2-14 BSPP | 345 5,000 | 0.406 10.3 mm |
| SS 12 DB MBSPP 12 X FBSPP 12 | 3.302 83.9 mm | 2.100 53.3 mm | 1.675 42.5 mm | 2.070 52.5 mm | 1.312 33.3 mm | G 3/4-14 BSPP | G 3/4-14 BSPP | 345 5,000 | 0.630 16.0 mm |
| SS 16 DB MBSPP 16 X FBSPP 16 | 3.947 100.3 mm | 2.550 64.8 mm | 1.917 48.7 mm | 2.320 58.9 mm | 1.625 41.3 mm | G 1-11 BSPP | G 1-11 BSPP | 310 4,500 | 0.787 20.0 mm |
| SS 20 MBSPP 20 X FBSPP 20 | 4.265 108.3 mm | 2.650 67.3 mm | 2.358 59.9 mm | 2.760 70.1 mm | 2.000 50.8 mm | G 1 1/4-11 BSPP | G 1 1/4-11 BSPP | 275 4,000 | 0.984 25.0 mm |
| SS 24 MBSPP 24 X FBSPP 24 | 5.085 129.2 mm | 3.250 82.5 mm | 2.548 64.7 mm | 2.950 74.9 mm | 2.250 57.1 mm | G 1 1/2-11 BSPP | G 1 1/2-11 BSPP | 275 4,000 | 1.260 32.0 mm |

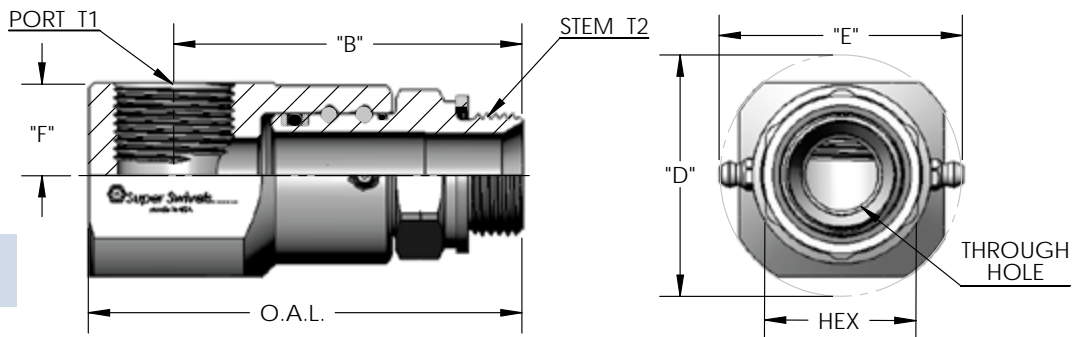
Female BSPP X Female BSPP



Not Available
In Stainless Steel!

| PART NUMBER | O.A.L. | DIM. B | DIM. D Ø | DIM. E | WRENCH HEX. | PORT T1 | STEM T2 | DIM. F | MAX. PRES. | THROUGH HOLE |
|--------------------------------|-------------------|-------------------|------------------|------------------|------------------|-----------------|-----------------|------------------|--------------|------------------|
| 9 SS 4 FBSPP 4 X FBSPP 4 | 2.715 69.0 mm | 2.255 57.3 mm | 1.318 33.5 mm | 1.858 47.2 mm | 0.875 22.2 mm | G 1/4-19 BSPP | G 1/4-19 BSPP | 0.519 13.2 mm | 345 5,000 | 0.250 6.3 mm |
| 9 SS 6 FBSPP 6 X FBSPP 6 | 2.883 73.2 mm | 2.313 58.8 mm | 1.450 36.8 mm | 1.992 50.6 mm | 1.187 30.1 mm | G 3/8-19 BSPP | G 3/8-19 BSPP | 0.552 14.0 mm | 345 5,000 | 0.312 7.9 mm |
| 9 SS 8 DB FBSPP 8 X FBSPP 8 | 3.317 84.3 mm | 2.686 68.2 mm | 1.724 43.8 mm | 2.170 55.1 mm | 1.312 33.3 mm | G 1/2-14 BSPP | G 1/2-14 BSPP | 0.653 16.6 mm | 345 5,000 | 0.406 10.3 mm |
| 9 SS 12 DB FBSPP 12 X FBSPP 12 | 3.722 94.5 mm | 2.942 74.7 mm | 2.184 55.5 mm | 2.370 60.2 mm | 1.500 38.1 mm | G 3/4-14 BSPP | G 3/4-14 BSPP | 0.849 21.6 mm | 345 5,000 | 0.630 16.0 mm |
| 9 SS 16 DB FBSPP 16 X FBSPP 16 | 4.428 112.5 mm | 3.513 89.2 mm | 2.588 65.7 mm | 2.610 66.3 mm | 1.750 44.4 mm | G 1-11 BSPP | G 1-11 BSPP | 0.982 24.9 mm | 310 4,500 | 0.787 20.0mm |
| 9 SS 20 FBSPP 20 X FBSPP 20 | 4.890 124.2 mm | 3.790 96.3 mm | 3.088 78.4 mm | 3.050 77.5 mm | 2.125 54.0 mm | G 1 1/4-11 BSPP | G 1 1/4-11 BSPP | 1.149 29.2 mm | 275 4,000 | 0.984 25.0 mm |
| 9 SS 24 FBSPP 24 X FBSPP 24 | 5.940 150.9 mm | 4.670 118.6 mm | 3.576 90.8 mm | 3.240 82.3 mm | 2.375 60.3 mm | G 1 1/2-11 BSPP | G 1 1/2-11 BSPP | 1.366 34.7 mm | 275 4,000 | 1.260 32.0 mm |

Male BSPP X Female BSPP



Not Available
In Stainless Steel!

| PART NUMBER | O.A.L. | DIM. B | DIM. D Ø | DIM. E | WRENCH HEX. | PORT T1 | STEM T2 | DIM. F | MAX. PRES. | THROUGH HOLE |
|--------------------------------|-------------------|-------------------|------------------|------------------|------------------|-----------------|-----------------|------------------|--------------|------------------|
| 9 SS 4 MBSPP 4 X FBSPP 4 | 2.810 71.4 mm | 2.350 59.7 mm | 1.318 33.5 mm | 1.858 47.2 mm | 0.812 20.6 mm | G 1/4-19 BSPP | G 1/4-19 BSPP | 0.519 13.2 mm | 345 5,000 | 0.250 6.3 mm |
| 9 SS 6 MBSPP 6 X FBSPP 6 | 2.947 74.9 mm | 2.367 60.1 mm | 1.450 36.8 mm | 1.992 50.6 mm | 0.937 23.8 mm | G 3/8-19 BSPP | G 3/8-19 BSPP | 0.552 14.0 mm | 345 5,000 | 0.312 7.9 mm |
| 9 SS 8 DB MBSPP 8 X FBSPP 8 | 3.412 86.7 mm | 2.781 70.6 mm | 1.724 43.8 mm | 2.170 55.1 mm | 1.125 28.6 mm | G 1/2-14 BSPP | G 1/2-14 BSPP | 0.653 16.6 mm | 345 5,000 | 0.406 10.3 mm |
| 9 SS 12 DB MBSPP 12 X FBSPP 12 | 3.922 99.6 mm | 3.142 79.8 mm | 2.184 55.5 mm | 2.370 60.2 mm | 1.312 33.3 mm | G 3/4-14 BSPP | G 3/4-14 BSPP | 0.849 21.6 mm | 345 5,000 | 0.630 16.0 mm |
| 9 SS 16 DB MBSPP 16 X FBSPP 16 | 4.648 118.1 mm | 3.733 94.8 mm | 2.588 65.7 mm | 2.610 66.3 mm | 1.625 41.3 mm | G 1-11 BSPP | G 1-11 BSPP | 0.982 24.9 mm | 310 4,500 | 0.787 20.0 mm |
| 9 SS 20 MBSPP 20 X FBSPP 20 | 5.115 129.9 mm | 4.015 102.0 mm | 3.088 78.4 mm | 3.050 77.5 mm | 2.000 50.8 mm | G 1 1/4-11 BSPP | G 1 1/4-11 BSPP | 1.149 29.2 mm | 275 4,000 | 0.984 25.0 mm |
| 9 SS 24 MBSPP 24 X FBSPP 24 | 6.385 162.2 mm | 5.115 129.9 mm | 3.576 90.8 mm | 3.240 82.3 mm | 2.250 57.1 mm | G 1 1/2-11 BSPP | G 1 1/2-11 BSPP | 1.366 34.7 mm | 275 4,000 | 1.260 32.0 mm |

ITEM DESCRIPTION
Inline Female Pipe (N.P.T.F.)
X Female Pipe (N.P.T.F.) Page 14
1090 - SS2FP12.5XFP12.5-Z-V
1091 - SS2FP12.5XFP12.5-Z-AL
1092 - N/A
1093 - SS2FP12.5XFP12.5-NI-V
1094 - SS2FP12.5XFP12.5-NI-AL
1095 - N/A

1000 - SS4FP25XFP25-Z-V
1001 - SS4FP25XFP25-Z-AL
1002 - SS4FP25XFP25-Z-PFA
1003 - SS4FP25XFP25-Ni-V
1004 - SS4FP25XFP25-Ni-AL
1005 - SS4FP25XFP25-Ni-PFA
1006 - SS4FP25XFP25-440-AL
1007 - SS4FP25XFP25-440-PFA

1010 - SS8FP38XFP38-Z-V
1011 - SS8FP38XFP38-Z-AL
1012 - SS8FP38XFP38-Z-PFA
1013 - SS8FP38XFP38-Ni-V
1014 - SS8FP38XFP38-Ni-AL
1015 - SS8FP38XFP38-Ni-PFA
1016 - SS8FP38XFP38-440-AL
1017 - SS8FP38XFP38-440-PFA

1020 - SS8FP50XFP50-Z-V
1021 - SS8FP50XFP50-Z-AL
1022 - SS8FP50XFP50-Z-PFA
1023 - SS8FP50XFP50-Ni-V
1024 - SS8FP50XFP50-Ni-AL
1025 - SS8FP50XFP50-Ni-PFA
1026 - SS8FP50XFP50-440-AL
1027 - SS8FP50XFP50-440-PFA

1030 - SS12FP75XFP75-Z-V
1031 - SS12FP75XFP75-Z-AL
1032 - SS12FP75XFP75-Z-PFA
1033 - SS12FP75XFP75-Ni-V
1034 - SS12FP75XFP75-Ni-AL
1035 - SS12FP75XFP75-Ni-PFA
1036 - SS12FP75XFP75-440-AL
1037 - SS12FP75XFP75-440-PFA

1040 - SS16FP100XFP100-Z-V
1041 - SS16FP100XFP100-Z-AL
1042 - SS16FP100XFP100-Z-PFA
1043 - SS16FP100XFP100-Ni-V
1044 - SS16FP100XFP100-Ni-AL
1045 - SS16FP100XFP100-Ni-PFA
1046 - SS16FP100XFP100-440-AL
1047 - SS16FP100XFP100-440-PFA

1050 - SS20FP125XFP125-Z-V
1051 - SS20FP125XFP125-Z-AL
1052 - SS20FP125XFP125-Z-PFA
1053 - SS20FP125XFP125-Ni-V
1054 - SS20FP125XFP125-Ni-AL
1055 - SS20FP125XFP125-Ni-PFA
1056 - SS20FP125XFP125-440-AL
1057 - SS20FP125XFP125-440-PFA

1063 - SS24FP150XFP150-Ni-V
1064 - SS24FP150XFP150-Ni-AL
1065 - SS24FP150XFP150-Ni-PFA
1066 - SS24FP150XFP150-440-AL
1067 - SS24FP150XFP150-440-PFA

1073 - SS32FP200XFP200-Ni-V
1074 - SS32FP200XFP200-Ni-AL
1075 - SS32FP200XFP200-Ni-PFA
1076 - SS32FP200XFP200-440-AL
1077 - SS32FP200XFP200-440-PFA

1083 - SS40FP250XFP250-Ni-V
1084 - SS40FP250XFP250-Ni-AL
1085 - SS40FP250XFP250-Ni-PFA

Inline Male (J.I.C.)
X Female Pipe (N.P.T.F.) Page 15
1100 - SS4MJ6XFP25-Z-V
1101 - SS4MJ6XFP25-Z-AL
1102 - SS4MJ6XFP25-Z-PFA
1103 - SS4MJ6XFP25-Ni-V

ITEM DESCRIPTION
1104 - SS4MJ6XFP25-Ni-AL
1105 - SS4MJ6XFP25-Ni-PFA

1110 - SS8MJ8XFP38-Z-V
1111 - SS8MJ8XFP38-Z-AL
1112 - SS8MJ8XFP38-Z-PFA
1113 - SS8MJ8XFP38-Ni-V
1114 - SS8MJ8XFP38-Ni-AL
1115 - SS8MJ8XFP38-Ni-PFA

1120 - SS8MJ8XFP50-Z-V
1121 - SS8MJ8XFP50-Z-AL
1122 - SS8MJ8XFP50-Z-PFA
1123 - SS8MJ8XFP50-Ni-V
1124 - SS8MJ8XFP50-Ni-AL
1125 - SS8MJ8XFP50-Ni-PFA

1130 - SS8MJ10XFP50-Z-V
1131 - SS8MJ10XFP50-Z-AL
1132 - SS8MJ10XFP50-Z-PFA
1133 - SS8MJ10XFP50-Ni-V
1134 - SS8MJ10XFP50-Ni-AL
1135 - SS8MJ10XFP50-Ni-PFA

1140 - SS12MJ12XFP75-Z-V
1141 - SS12MJ12XFP75-Z-AL
1142 - SS12MJ12XFP75-Z-PFA
1143 - SS12MJ12XFP75-Ni-V
1144 - SS12MJ12XFP75-Ni-AL
1145 - SS12MJ12XFP75-Ni-PFA

1150 - SS16MJ16XFP100-Z-V
1151 - SS16MJ16XFP100-Z-AL
1152 - SS16MJ16XFP100-Z-PFA
1153 - SS16MJ16XFP100-Ni-V
1154 - SS16MJ16XFP100-Ni-AL
1155 - SS16MJ16XFP100-Ni-PFA

1160 - SS20MJ20XFP125-Z-V
1161 - SS20MJ20XFP125-Z-AL
1162 - SS20MJ20XFP125-Z-PFA
1163 - SS20MJ20XFP125-Ni-V
1164 - SS20MJ20XFP125-Ni-AL
1165 - SS20MJ20XFP125-Ni-PFA

1173 - SS24MJ24XFP150-Ni-V
1174 - SS24MJ24XFP150-Ni-AL
1175 - SS24MJ24XFP150-Ni-PFA

Inline Male Pipe (N.P.T.F.)
X Female Pipe (N.P.T.F.) Page 14
1280 - SS2MP12.5XFP12.5-Z-V
1281 - SS2MP12.5XFP12.5-Z-AL
1282 - N/A
1283 - SS2MP12.5XFP12.5-Ni-V
1284 - SS2MP12.5XFP12.5-Ni-AL
1285 - N/A

1200 - SS4MP25XFP25-Z-V
1201 - SS4MP25XFP25-Z-AL
1202 - SS4MP25XFP25-Z-PFA
1203 - SS4MP25XFP25-Ni-V
1204 - SS4MP25XFP25-Ni-AL
1205 - SS4MP25XFP25-Ni-PFA
1206 - SS4MP25XFP25-440-AL
1207 - SS4MP25XFP25-440-PFA

1210 - SS8MP38XFP38-Z-V
1211 - SS8MP38XFP38-Z-AL
1212 - SS8MP38XFP38-Z-PFA
1213 - SS8MP38XFP38-Ni-V
1214 - SS8MP38XFP38-Ni-AL
1215 - SS8MP38XFP38-Ni-PFA
1216 - SS8MP38XFP38-440-AL
1217 - SS8MP38XFP38-440-PFA

1220 - SS8MP50XFP50-Z-V
1221 - SS8MP50XFP50-Z-AL
1222 - SS8MP50XFP50-Z-PFA
1223 - SS8MP50XFP50-Ni-V
1224 - SS8MP50XFP50-Ni-AL
1225 - SS8MP50XFP50-Ni-PFA
1226 - SS8MP50XFP50-440-AL
1227 - SS8MP50XFP50-440-PFA
1230 - SS12MP75XFP75-Z-V

ITEM DESCRIPTION
1231 - SS12MP75XFP75-Z-AL
1232 - SS12MP75XFP75-Z-PFA
1233 - SS12MP75XFP75-Ni-V
1234 - SS12MP75XFP75-Ni-AL
1235 - SS12MP75XFP75-Ni-PFA
1236 - SS12MP75XFP75-440-AL
1237 - SS12MP75XFP75-440-PFA

1240 - SS16MP100XFP100-Z-V
1241 - SS16MP100XFP100-Z-AL
1242 - SS16MP100XFP100-Z-PFA
1243 - SS16MP100XFP100-Ni-V
1244 - SS16MP100XFP100-Ni-AL
1245 - SS16MP100XFP100-Ni-PFA
1246 - SS16MP100XFP100-440-AL
1247 - SS16MP100XFP100-440-PFA

1250 - SS20MP125XFP125-Z-V
1251 - SS20MP125XFP125-Z-AL
1252 - SS20MP125XFP125-Z-PFA
1253 - SS20MP125XFP125-Ni-V
1254 - SS20MP125XFP125-Ni-AL
1255 - SS20MP125XFP125-Ni-PFA
1256 - SS20MP125XFP125-440-AL
1257 - SS20MP125XFP125-440-PFA

1263 - SS24MP150XFP150-Ni-V
1264 - SS24MP150XFP150-Ni-AL
1265 - SS24MP150XFP150-Ni-PFA
1266 - SS24MP150XFP150-440-AL
1267 - SS24MP150XFP150-440-PFA

1273 - SS32MP200XFP200-Ni-V
1274 - SS32MP200XFP200-Ni-AL
1275 - SS32MP200XFP200-Ni-PFA
1276 - SS32MP200XFP200-440-AL
1277 - SS32MP200XFP200-440-PFA

Inline Male (J.I.C.)
X Female (J.I.C.) Page 15
1370 - SS4MJ4XFJ4-Z-V
1371 - SS4MJ4XFJ4-Z-AL
1372 - SS4MJ4XFJ4-Z-PFA
1373 - SS4MJ4XFJ4-Ni-V
1374 - SS4MJ4XFJ4-Ni-AL
1375 - SS4MJ4XFJ4-Ni-PFA

1380 - SS4MJ5XFJ5-Z-V
1381 - SS4MJ5XFJ5-Z-AL
1382 - SS4MJ5XFJ5-Z-PFA
1383 - SS4MJ5XFJ5-Ni-V
1384 - SS4MJ5XFJ5-Ni-AL
1385 - SS4MJ5XFJ5-Ni-PFA

1300 - SS4MJ6XFJ6-Z-V
1301 - SS4MJ6XFJ6-Z-AL
1302 - SS4MJ6XFJ6-Z-PFA
1303 - SS4MJ6XFJ6-Ni-V
1304 - SS4MJ6XFJ6-Ni-AL
1305 - SS4MJ6XFJ6-Ni-PFA

1310 - SS8MJ8XFJ8-Z-V
1311 - SS8MJ8XFJ8-Z-AL
1312 - SS8MJ8XFJ8-Z-PFA
1313 - SS8MJ8XFJ8-Ni-V
1314 - SS8MJ8XFJ8-Ni-AL
1315 - SS8MJ8XFJ8-Ni-PFA

1320 - SS8MJ10XFJ10-Z-V
1321 - SS8MJ10XFJ10-Z-AL
1322 - SS8MJ10XFJ10-Z-PFA
1323 - SS8MJ10XFJ10-Ni-V
1324 - SS8MJ10XFJ10-Ni-AL
1325 - SS8MJ10XFJ10-Ni-PFA

1330 - SS12MJ12XFJ12-Z-V
1331 - SS12MJ12XFJ12-Z-AL
1332 - SS12MJ12XFJ12-Z-PFA
1333 - SS12MJ12XFJ12-Ni-V
1334 - SS12MJ12XFJ12-Ni-AL
1335 - SS12MJ12XFJ12-Ni-PFA

1340 - SS16MJ16XFJ16-Z-V
1341 - SS16MJ16XFJ16-Z-AL
1342 - SS16MJ16XFJ16-Z-PFA
1343 - SS16MJ16XFJ16-Ni-V
1344 - SS16MJ16XFJ16-Ni-AL
1345 - SS16MJ16XFJ16-Ni-PFA

ITEM DESCRIPTION
1350 - SS20MJ20XFJ20-Z-V
1351 - SS20MJ20XFJ20-Z-AL
1352 - SS20MJ20XFJ20-Z-PFA

1353 - SS20MJ20XFJ20-Ni-V
1354 - SS20MJ20XFJ20-Ni-AL
1355 - SS20MJ20XFJ20-Ni-PFA

1363 - SS24MJ24XFJ24-Ni-V
1364 - SS24MJ24XFJ24-Ni-AL
1365 - SS24MJ24XFJ24-Ni-PFA

Inline Male (O.R.B.)
X Female Pipe (N.P.T.F.) Page 16
1400 - SS4MO6XFP25-Z-V
1401 - SS4MO6XFP25-Z-AL
1402 - SS4MO6XFP25-Z-PFA
1403 - SS4MO6XFP25-Ni-V
1404 - SS4MO6XFP25-Ni-AL
1405 - SS4MO6XFP25-Ni-PFA

1410 - SS8MO8XFP38-Z-V
1411 - SS8MO8XFP38-Z-AL
1412 - SS8MO8XFP38-Z-PFA
1413 - SS8MO8XFP38-Ni-V
1414 - SS8MO8XFP38-Ni-AL
1415 - SS8MO8XFP38-Ni-PFA

1420 - SS8MO10XFP38-Z-V
1421 - SS8MO10XFP38-Z-AL
1422 - SS8MO10XFP38-Z-PFA
1423 - SS8MO10XFP38-Ni-V
1424 - SS8MO10XFP38-Ni-AL
1425 - SS8MO10XFP38-Ni-PFA

1430 - SS8MO8XFP50-Z-V
1431 - SS8MO8XFP50-Z-AL
1432 - SS8MO8XFP50-Z-PFA
1433 - SS8MO8XFP50-Ni-V
1434 - SS8MO8XFP50-Ni-AL
1435 - SS8MO8XFP50-Ni-PFA

1440 - SS8MO10XFP50-Z-V
1441 - SS8MO10XFP50-Z-AL
1442 - SS8MO10XFP50-Z-PFA
1443 - SS8MO10XFP50-Ni-V
1444 - SS8MO10XFP50-Ni-AL
1445 - SS8MO10XFP50-Ni-PFA

1450 - SS12MO12XFP75-Z-V
1451 - SS12MO12XFP75-Z-AL
1452 - SS12MO12XFP75-Z-PFA
1453 - SS12MO12XFP75-Ni-V
1454 - SS12MO12XFP75-Ni-AL
1455 - SS12MO12XFP75-Ni-PFA

1460 - SS16MO16XFP100-Z-V
1461 - SS16MO16XFP100-Z-AL
1462 - SS16MO16XFP100-Z-PFA
1463 - SS16MO16XFP100-Ni-V
1464 - SS16MO16XFP100-Ni-AL
1465 - SS16MO16XFP100-Ni-PFA

1470 - SS20MO20XFP125-Z-V
1471 - SS20MO20XFP125-Z-AL
1472 - SS20MO20XFP125-Z-PFA
1473 - SS20MO20XFP125-Ni-V
1474 - SS20MO20XFP125-Ni-AL
1475 - SS20MO20XFP125-Ni-PFA

1483 - SS24MO24XFP150-Ni-V
1484 - SS24MO24XFP150-Ni-AL
1485 - SS24MO24XFP150-Ni-PFA

Inline Male Bulkhead (J.I.C.)
X Female (J.I.C.) Page 16
1510 - SS8MJB8XFJ8-Z-V
1511 - SS8MJB8XFJ8-Z-AL
1512 - SS8MJB8XFJ8-Z-PFA
1513 - SS8MJB8XFJ8-Ni-V
1514 - SS8MJB8XFJ8-Ni-AL
1515 - SS8MJB8XFJ8-Ni-PFA

1520 - SS8MJB10XFJ10-Z-V
1521 - SS8MJB10XFJ10-Z-AL
1522 - SS8MJB10XFJ10-Z-PFA
1523 - SS8MJB10XFJ10-Ni-V

ITEM DESCRIPTION

1524 - SS8MJB10XFJ10-Ni-AL
 1525 - SS8MJB10XFJ10-Ni-PFA

1530 - SS12MJB12XFJ12-Z-V
 1531 - SS12MJB12XFJ12-Z-AL
 1532 - SS12MJB12XFJ12-Z-PFA
 1533 - SS12MJB12XFJ12-Ni-V
 1534 - SS12MJB12XFJ12-Ni-AL
 1535 - SS12MJB12XFJ12-Ni-PFA

1540 - SS16MJB16XFJ16-Z-V
 1541 - SS16MJB16XFJ16-Z-AL
 1542 - SS16MJB16XFJ16-Z-PFA
 1543 - SS16MJB16XFJ16-Ni-V
 1544 - SS16MJB16XFJ16-Ni-AL
 1545 - SS16MJB16XFJ16-Ni-PFA

1550 - SS20MJB20XFJ20-Z-V
 1551 - SS20MJB20XFJ20-Z-AL
 1552 - SS20MJB20XFJ20-Z-PFA
 1553 - SS20MJB20XFJ20-Ni-V
 1554 - SS20MJB20XFJ20-Ni-AL
 1555 - SS20MJB20XFJ20-Ni-PFA

**Inline Male Bulkhead (J.I.C.)
 X Male (J.I.C.) Page 17**

1610 - SS8MJ8XJM8-Z-V
 1611 - SS8MJ8XJM8-Z-AL
 1612 - SS8MJ8XJM8-Z-PFA
 1613 - SS8MJ8XJM8-Ni-V
 1614 - SS8MJ8XJM8-Ni-AL
 1615 - SS8MJ8XJM8-Ni-PFA

1620 - SS8MJ10XJM10-Z-V
 1621 - SS8MJ10XJM10-Z-AL
 1622 - SS8MJ10XJM10-Z-PFA
 1623 - SS8MJ10XJM10-Ni-V
 1624 - SS8MJ10XJM10-Ni-AL
 1625 - SS8MJ10XJM10-Ni-PFA

1630 - SS12MJB12XJM12-Z-V
 1631 - SS12MJB12XJM12-Z-AL
 1632 - SS12MJB12XJM12-Z-PFA
 1633 - SS12MJB12XJM12-Ni-V
 1634 - SS12MJB12XJM12-Ni-AL
 1635 - SS12MJB12XJM12-Ni-PFA

1640 - SS16MJB16XJM16-Z-V
 1641 - SS16MJB16XJM16-Z-AL
 1642 - SS16MJB16XJM16-Z-PFA
 1643 - SS16MJB16XJM16-Ni-V
 1644 - SS16MJB16XJM16-Ni-AL
 1645 - SS16MJB16XJM16-Ni-PFA

1650 - SS20MJB20XJM20-Z-V
 1651 - SS20MJB20XJM20-Z-AL
 1652 - SS20MJB20XJM20-Z-PFA
 1653 - SS20MJB20XJM20-Ni-V
 1654 - SS20MJB20XJM20-Ni-AL
 1655 - SS20MJB20XJM20-Ni-PFA

**Inline Male (O.R.B.)
 X Male (J.I.C.) Page 17**

1780 - SS4MO4XMJ4-Z-V
 1781 - SS4MO4XMJ4-Z-AL
 1782 - SS4MO4XMJ4-Z-PFA
 1783 - SS4MO4XMJ4-Ni-V
 1784 - SS4MO4XMJ4-Ni-AL
 1785 - SS4MO4XMJ4-Ni-PFA

1700 - SS4MO6XMJ6-Z-V
 1701 - SS4MO6XMJ6-Z-AL
 1702 - SS4MO6XMJ6-Z-PFA
 1703 - SS4MO6XMJ6-Ni-V
 1704 - SS4MO6XMJ6-Ni-AL
 1705 - SS4MO6XMJ6-Ni-PFA

1710 - SS8MO8XMJ8-Z-V
 1711 - SS8MO8XMJ8-Z-AL
 1712 - SS8MO8XMJ8-Z-PFA
 1713 - SS8MO8XMJ8-Ni-V
 1714 - SS8MO8XMJ8-Ni-AL
 1715 - SS8MO8XMJ8-Ni-PFA

ITEM DESCRIPTION

1720 - SS8MO8XMJ10-Z-V
 1721 - SS8MO8XMJ10-Z-AL
 1722 - SS8MO8XMJ10-Z-PFA
 1723 - SS8MO8XMJ10-Ni-V
 1724 - SS8MO8XMJ10-Ni-AL
 1725 - SS8MO8XMJ10-Ni-PFA

1730 - SS8MO10XJM8-Z-V
 1731 - SS8MO10XJM8-Z-AL
 1732 - SS8MO10XJM8-Z-PFA
 1733 - SS8MO10XJM8-Ni-V
 1734 - SS8MO10XJM8-Ni-AL
 1735 - SS8MO10XJM8-Ni-PFA

1740 - SS8MO10XJM10-Z-V
 1741 - SS8MO10XJM10-Z-AL
 1742 - SS8MO10XJM10-Z-PFA
 1743 - SS8MO10XJM10-Ni-V
 1744 - SS8MO10XJM10-Ni-AL
 1745 - SS8MO10XJM10-Ni-PFA

1750 - SS12MO12XJM12-Z-V
 1751 - SS12MO12XJM12-Z-AL
 1752 - SS12MO12XJM12-Z-PFA
 1753 - SS12MO12XJM12-Ni-V
 1754 - SS12MO12XJM12-Ni-AL
 1755 - SS12MO12XJM12-Ni-PFA

1760 - SS16MO16XJM16-Z-V
 1761 - SS16MO16XJM16-Z-AL
 1762 - SS16MO16XJM16-Z-PFA
 1763 - SS16MO16XJM16-Ni-V
 1764 - SS16MO16XJM16-Ni-AL
 1765 - SS16MO16XJM16-Ni-PFA

1770 - SS20MO20XJM20-Z-V
 1771 - SS20MO20XJM20-Z-AL
 1772 - SS20MO20XJM20-Z-PFA
 1773 - SS20MO20XJM20-Ni-V
 1774 - SS20MO20XJM20-Ni-AL
 1775 - SS20MO20XJM20-Ni-PFA

**Inline Male Pipe (N.P.T.F.)
 X Male (J.I.C.) Page 18**

1800 - SS4MP25XJM6-Z-V
 1801 - SS4MP25XJM6-Z-AL
 1802 - SS4MP25XJM6-Z-PFA
 1803 - SS4MP25XJM6-Ni-V
 1804 - SS4MP25XJM6-Ni-AL
 1805 - SS4MP25XJM6-Ni-PFA

1880 - SS4MP38XJM6-Z-V
 1881 - SS4MP38XJM6-Z-AL
 1882 - SS4MP38XJM6-Z-PFA
 1883 - SS4MP38XJM6-Ni-V
 1884 - SS4MP38XJM6-Ni-AL
 1885 - SS4MP38XJM6-Ni-PFA

1810 - SS8MP38XJM8-Z-V
 1811 - SS8MP38XJM8-Z-AL
 1812 - SS8MP38XJM8-Z-PFA
 1813 - SS8MP38XJM8-Ni-V
 1814 - SS8MP38XJM8-Ni-AL
 1815 - SS8MP38XJM8-Ni-PFA

1820 - SS8MP38XJM10-Z-V
 1821 - SS8MP38XJM10-Z-AL
 1822 - SS8MP38XJM10-Z-PFA
 1823 - SS8MP38XJM10-Ni-V
 1824 - SS8MP38XJM10-Ni-AL
 1825 - SS8MP38XJM10-Ni-PFA

1830 - SS8MP50XJM8-Z-V
 1831 - SS8MP50XJM8-Z-AL
 1832 - SS8MP50XJM8-Z-PFA
 1833 - SS8MP50XJM8-Ni-V
 1834 - SS8MP50XJM8-Ni-AL
 1835 - SS8MP50XJM8-Ni-PFA

1840 - SS8MP50XJM10-Z-V
 1841 - SS8MP50XJM10-Z-AL
 1842 - SS8MP50XJM10-Z-PFA
 1843 - SS8MP50XJM10-Ni-V
 1844 - SS8MP50XJM10-Ni-AL
 1845 - SS8MP50XJM10-Ni-PFA

ITEM DESCRIPTION

1850 - SS12MP75XMJ12-Z-V
 1851 - SS12MP75XMJ12-Z-AL
 1852 - SS12MP75XMJ12-Z-PFA
 1853 - SS12MP75XMJ12-Ni-V
 1854 - SS12MP75XMJ12-Ni-AL
 1855 - SS12MP75XMJ12-Ni-PFA

1860 - SS16MP100XMJ16-Z-V
 1861 - SS16MP100XMJ16-Z-AL
 1862 - SS16MP100XMJ16-Z-PFA

1863 - SS16MP100XMJ16-Ni-V
 1864 - SS16MP100XMJ16-Ni-AL
 1865 - SS16MP100XMJ16-Ni-PFA

1870 - SS20MP125XMJ20-Z-V
 1871 - SS20MP125XMJ20-Z-AL
 1872 - SS20MP125XMJ20-Z-PFA
 1873 - SS20MP125XMJ20-Ni-V
 1874 - SS20MP125XMJ20-Ni-AL
 1875 - SS20MP125XMJ20-Ni-PFA

**Inline Male (J.I.C.)
 X Male (J.I.C.) Page 18**

1960 - SS4MJ4XJM4-Z-V
 1961 - SS4MJ4XJM4-Z-AL
 1962 - SS4MJ4XJM4-Z-PFA
 1963 - SS4MJ4XJM4-Ni-V
 1964 - SS4MJ4XJM4-Ni-AL
 1965 - SS4MJ4XJM4-Ni-PFA

1900 - SS4MJ6XJM6-Z-V
 1901 - SS4MJ6XJM6-Z-AL
 1902 - SS4MJ6XJM6-Z-PFA
 1903 - SS4MJ6XJM6-Ni-V
 1904 - SS4MJ6XJM6-Ni-AL
 1905 - SS4MJ6XJM6-Ni-PFA

1910 - SS8MJ8XJM8-Z-V
 1911 - SS8MJ8XJM8-Z-AL
 1912 - SS8MJ8XJM8-Z-PFA
 1913 - SS8MJ8XJM8-Ni-V
 1914 - SS8MJ8XJM8-Ni-AL
 1915 - SS8MJ8XJM8-Ni-PFA

1920 - SS8MJ10XJM10-Z-V
 1921 - SS8MJ10XJM10-Z-AL
 1922 - SS8MJ10XJM10-Z-PFA
 1923 - SS8MJ10XJM10-Ni-V
 1924 - SS8MJ10XJM10-Ni-AL
 1925 - SS8MJ10XJM10-Ni-PFA

1930 - SS12MJ12XJM12-Z-V
 1931 - SS12MJ12XJM12-Z-AL
 1932 - SS12MJ12XJM12-Z-PFA
 1933 - SS12MJ12XJM12-Ni-V
 1934 - SS12MJ12XJM12-Ni-AL
 1935 - SS12MJ12XJM12-Ni-PFA

1940 - SS16MJ16XJM16-Z-V
 1941 - SS16MJ16XJM16-Z-AL
 1942 - SS16MJ16XJM16-Z-PFA
 1943 - SS16MJ16XJM16-Ni-V
 1944 - SS16MJ16XJM16-Ni-AL
 1945 - SS16MJ16XJM16-Ni-PFA

1950 - SS20MJ20XJM20-Z-V
 1951 - SS20MJ20XJM20-Z-AL
 1952 - SS20MJ20XJM20-Z-PFA
 1953 - SS20MJ20XJM20-Ni-V
 1954 - SS20MJ20XJM20-Ni-AL
 1955 - SS20MJ20XJM20-Ni-PFA

**Inline Male (O.R.B.)
 X Female (J.I.C.) Page 19**

2000 - SS4MO6XFJ6-Z-V
 2001 - SS4MO6XFJ6-Z-AL
 2002 - SS4MO6XFJ6-Z-PFA
 2003 - SS4MO6XFJ6-Ni-V
 2004 - SS4MO6XFJ6-Ni-AL
 2005 - SS4MO6XFJ6-Ni-PFA

2010 - SS8MO8XFJ8-Z-V
 2011 - SS8MO8XFJ8-Z-AL
 2012 - SS8MO8XFJ8-Z-PFA

ITEM DESCRIPTION

2013 - SS8MO8XFJ8-Ni-V
 2014 - SS8MO8XFJ8-Ni-AL
 2015 - SS8MO8XFJ8-Ni-PFA

2020 - SS8MO10XFJ10-Z-V
 2021 - SS8MO10XFJ10-Z-AL
 2022 - SS8MO10XFJ10-Z-PFA
 2023 - SS8MO10XFJ10-Ni-V
 2024 - SS8MO10XFJ10-Ni-AL
 2025 - SS8MO10XFJ10-Ni-PFA

2030 - SS12MO12XFJ12-Z-V
 2031 - SS12MO12XFJ12-Z-AL
 2032 - SS12MO12XFJ12-Z-PFA
 2033 - SS12MO12XFJ12-Ni-V

2034 - SS12MO12XFJ12-Ni-AL
 2035 - SS12MO12XFJ12-Ni-PFA

2040 - SS16MO16XFJ16-Z-V
 2041 - SS16MO16XFJ16-Z-AL
 2042 - SS16MO16XFJ16-Z-PFA
 2043 - SS16MO16XFJ16-Ni-V
 2044 - SS16MO16XFJ16-Ni-AL
 2045 - SS16MO16XFJ16-Ni-PFA

2050 - SS20MO20XFJ20-Z-V
 2051 - SS20MO20XFJ20-Z-AL
 2052 - SS20MO20XFJ20-Z-PFA
 2053 - SS20MO20XFJ20-Ni-V
 2054 - SS20MO20XFJ20-Ni-AL
 2055 - SS20MO20XFJ20-Ni-PFA

2063 - SS24MO24XFJ24-Ni-V
 2064 - SS24MO24XFJ24-Ni-AL
 2065 - SS24MO24XFJ24-Ni-PFA

**Inline (H.P.) Female Pipe
 X Female Pipe (N.P.T.F.) Page 22**

2123 - SS8HPP50XFP50-Ni-V
 2124 - SS8HPP50XFP50-Ni-AL

**Inline (H.P.) Male Pipe
 X Female Pipe (N.P.T.F.) Page 22**

2223 - SS8HPMP50XFP50-Ni-V
 2224 - SS8HPMP50XFP50-Ni-AL

**Inline Female Face Seal (F.F.S.)
 X Male Face Seal (M.F.S.) Page 19**

2300 - SS4FFS6XMF6-Z-V
 2301 - SS4FFS6XMF6-Z-AL
 2302 - SS4FFS6XMF6-Z-PFA
 2303 - SS4FFS6XMF6-Ni-V
 2304 - SS4FFS6XMF6-Ni-AL
 2305 - SS4FFS6XMF6-Ni-PFA

2310 - SS8FFS8XMF8-Z-V
 2311 - SS8FFS8XMF8-Z-AL
 2312 - SS8FFS8XMF8-Z-PFA
 2313 - SS8FFS8XMF8-Ni-V
 2314 - SS8FFS8XMF8-Ni-AL
 2315 - SS8FFS8XMF8-Ni-PFA

2320 - SS8FFS10XMF10-Z-V
 2321 - SS8FFS10XMF10-Z-AL
 2322 - SS8FFS10XMF10-Z-PFA
 2323 - SS8FFS10XMF10-Ni-V
 2324 - SS8FFS10XMF10-Ni-AL
 2325 - SS8FFS10XMF10-Ni-PFA

2330 - SS12FFS12XMF12-Z-V
 2331 - SS12FFS12XMF12-Z-AL
 2332 - SS12FFS12XMF12-Z-PFA
 2333 - SS12FFS12XMF12-Ni-V
 2334 - SS12FFS12XMF12-Ni-AL
 2335 - SS12FFS12XMF12-Ni-PFA

2340 - SS16FFS16XMF16-Z-V
 2341 - SS16FFS16XMF16-Z-AL
 2342 - SS16FFS16XMF16-Z-PFA
 2343 - SS16FFS16XMF16-Ni-V
 2344 - SS16FFS16XMF16-Ni-AL
 2345 - SS16FFS16XMF16-Ni-PFA

ITEM DESCRIPTION

- 2350 - SS20FFS20XMFS20-Z-V
- 2351 - SS20FFS20XMFS20-Z-AL
- 2352 - SS20FFS20XMFS20-Z-PFA
- 2353 - SS20FFS20XMFS20-NI-V
- 2354 - SS20FFS20XMFS20-NI-AL
- 2355 - SS20FFS20XMFS20-NI-PFA

- 2363 - SS24FFS24XMFS24-NI-V
- 2364 - SS24FFS24XMFS24-NI-AL
- 2365 - SS24FFS24XMFS24-NI-PFA

**Inline Male Face Seal (M.F.S.)
X Male Face Seal (M.F.S.) Page 20**

- 2400 - SS4MFS6XMFS6-Z-V
- 2401 - SS4MFS6XMFS6-Z-AL
- 2402 - SS4MFS5XMFS6-Z-PFA
- 2403 - SS4MFS6XMFS6-NI-V
- 2404 - SS4MFS6XMFS6-NI-AL
- 2405 - SS4MFS6XMFS6-NI-PFA

- 2410 - SS8MFS8XMFS8-Z-V
- 2411 - SS8MFS8XMFS8-Z-AL
- 2412 - SS8MFS8XMFS8-Z-PFA
- 2413 - SS8MFS8XMFS8-NI-V
- 2414 - SS8MFS8XMFS8-NI-AL
- 2415 - SS8MFS8XMFS8-NI-PFA

- 2420 - SS8MFS10XMFS10-Z-V
- 2421 - SS8MFS10XMFS10-Z-AL
- 2422 - SS8MFS10XMFS10-Z-PFA
- 2423 - SS8MFS10XMFS10-NI-V
- 2424 - SS8MFS10XMFS10-NI-AL
- 2425 - SS8MFS10XMFS10-NI-PFA

- 2430 - SS12MFS12XMFS12-Z-V
- 2431 - SS12MFS12XMFS12-Z-AL
- 2432 - SS12MFS12XMFS12-Z-PFA
- 2433 - SS12MFS12XMFS12-NI-V
- 2434 - SS12MFS12XMFS12-NI-AL
- 2435 - SS12MFS12XMFS12-NI-PFA

- 2440 - SS16MFS16XMFS16-Z-V
- 2441 - SS16MFS16XMFS16-Z-AL
- 2442 - SS16MFS16XMFS16-Z-PFA
- 2443 - SS16MFS16XMFS16-NI-V
- 2444 - SS16MFS16XMFS16-NI-AL
- 2445 - SS16MFS16XMFS16-NI-PFA

- 2450 - SS20MFS20XMFS20-Z-V
- 2451 - SS20MFS20XMFS20-Z-AL
- 2452 - SS20MFS20XMFS20-Z-PFA
- 2453 - SS20MFS20XMFS20-NI-V
- 2454 - SS20MFS20XMFS20-NI-AL
- 2455 - SS20MFS20XMFS20-NI-PFA

- 2463 - SS24MFS24XMFS24-NI-V
- 2464 - SS24MFS24XMFS24-NI-AL
- 2465 - SS24MFS24XMFS24-NI-PFA

**Inline Male (O.R.B.)
X Male Face Seal (M.F.S.) Page 20**

- 2500 - SS4MO6XMFS6-Z-V
- 2501 - SS4MO6XMFS6-Z-AL
- 2502 - SS4MO6XMFS6-Z-PFA
- 2503 - SS4MO6XMFS6-NI-V
- 2504 - SS4MO6XMFS6-NI-AL
- 2505 - SS4MO6XMFS6-NI-PFA

- 2510 - SS8MO8XMFS8-Z-V
- 2511 - SS8MO8XMFS8-Z-AL
- 2512 - SS8MO8XMFS8-Z-PFA
- 2513 - SS8MO8XMFS8-NI-V
- 2514 - SS8MO8XMFS8-NI-AL
- 2515 - SS8MO8XMFS8-NI-PFA

- 2520 - SS8MO10XMFS10-Z-V
- 2521 - SS8MO10XMFS10-Z-AL
- 2522 - SS8MO10XMFS10-Z-PFA
- 2523 - SS8MO10XMFS10-NI-V
- 2524 - SS8MO10XMFS10-NI-AL
- 2525 - SS8MO10XMFS10-NI-PFA
- 2530 - SS12MO12XMFS12-Z-V
- 2531 - SS12MO12XMFS12-Z-AL
- 2532 - SS12MO12XMFS12-Z-PFA
- 2533 - SS12MO12XMFS12-NI-V

ITEM DESCRIPTION

- 2534 - SS12MO12XMFS12-NI-AL
- 2535 - SS12MO12XMFS12-NI-PFA

- 2540 - SS16MO16XMFS16-Z-V
- 2541 - SS16MO16XMFS16-Z-AL
- 2542 - SS16MO16XMFS16-Z-PFA

- 2543 - SS16MO16XMFS16-NI-V
- 2544 - SS16MO16XMFS16-NI-AL
- 2545 - SS16MO16XMFS16-NI-PFA

- 2550 - SS20MO20XMFS20-Z-V
- 2551 - SS20MO20XMFS20-Z-AL
- 2552 - SS20MO20XMFS20-Z-PFA
- 2553 - SS20MO20XMFS20-NI-V
- 2554 - SS20MO20XMFS20-NI-AL
- 2555 - SS20MO20XMFS20-NI-PFA

- 2563 - SS24MO24XMFS24-NI-V
- 2564 - SS24MO24XMFS24-NI-AL
- 2565 - SS24MO24XMFS24-NI-PFA

**Inline
Male Face Seal Bulkhead (M.F.S.B.)
X Male Face Seal (M.F.S.) Page 21**

- 2600 - SS4MFSB6XMFS6-Z-V
- 2601 - SS4MFSB6XMFS6-Z-AL
- 2602 - SS4MFSB6XMFS6-Z-PFA
- 2603 - SS4MFSB6XMFS6-NI-V
- 2604 - SS4MFSB6XMFS6-NI-AL
- 2605 - SS4MFSB6XMFS6-NI-PFA

- 2610 - SS8MFSB8XMFS8-Z-V
- 2611 - SS8MFSB8XMFS8-Z-AL
- 2612 - SS8MFSB8XMFS8-Z-PFA
- 2613 - SS8MFSB8XMFS8-NI-V
- 2614 - SS8MFSB8XMFS8-NI-AL
- 2615 - SS8MFSB8XMFS8-NI-PFA

- 2620 - SS8MFSB10XMFS10-Z-V
- 2621 - SS8MFSB10XMFS10-Z-AL
- 2622 - SS8MFSB10XMFS10-Z-PFA
- 2623 - SS8MFSB10XMFS10-NI-V
- 2624 - SS8MFSB10XMFS10-NI-AL
- 2625 - SS8MFSB10XMFS10-NI-PFA

- 2630 - SS12MFSB12XMFS12-Z-V
- 2631 - SS12MFSB12XMFS12-Z-AL
- 2632 - SS12MFSB12XMFS12-Z-PFA
- 2633 - SS12MFSB12XMFS12-NI-V
- 2634 - SS12MFSB12XMFS12-NI-AL
- 2635 - SS12MFSB12XMFS12-NI-PFA

- 2640 - SS16MFSB16XMFS16-Z-V
- 2641 - SS16MFSB16XMFS16-Z-AL
- 2642 - SS16MFSB16XMFS16-Z-PFA
- 2643 - SS16MFSB16XMFS16-NI-V
- 2644 - SS16MFSB16XMFS16-NI-AL
- 2645 - SS16MFSB16XMFS16-NI-PFA

- 2650 - SS20MFSB20XMFS20-Z-V
- 2651 - SS20MFSB20XMFS20-Z-AL
- 2652 - SS20MFSB20XMFS20-Z-PFA

Rebuilding Kits

- 3690 - SS-2-KIT-VITON

- 3600 - SS-4-KIT-VITON
- 3601 - SS-4-KIT-AFLAS
- 3602 - SS-4-KIT-PFA

- 3680 - SS-7-KIT-VITON
- 3681 - SS-7-KIT-AFLAS
- 3682 - SS-7-KIT-PFA

- 3610 - SS-8-KIT-VITON
- 3611 - SS-8-KIT-AFLAS
- 3612 - SS-8-KIT-PFA

- 3615 - SS-8-HP-KIT-VITON
- 3616 - SS-8-HP-KIT-AFLAS

- 3620 - SS-12-KIT-VITON
- 3621 - SS-12-KIT-AFLAS
- 3622 - SS-12-KIT-PFA

ITEM DESCRIPTION

- 3630 - SS-16-KIT-VITON
- 3631 - SS-16-KIT-AFLAS
- 3632 - SS-16-KIT-PFA

- 3640 - SS-20-KIT-VITON
- 3641 - SS-20-KIT-AFLAS
- 3642 - SS-20-KIT-PFA

- 3650 - SS-24-KIT-VITON
- 3651 - SS-24-KIT-AFLAS
- 3652 - SS-24-KIT-PFA

- 3660 - SS-32-KIT-VITON
- 3661 - SS-32-KIT-AFLAS
- 3662 - SS-32-KIT-PFA

- 3670 - SS-40-KIT-VITON
- 3671 - SS-40-KIT-AFLAS
- 3672 - SS-40-KIT-PFA

**90° Female Pipe (N.P.T.F.)
x Female Pipe (N.P.T.F.) Page 24**

- 5080 - 9SS2FP12.5XFP12.5-Z-V
- 5081 - 9SS2FP12.5XFP12.5-Z-AL
- 5082 - N/A
- 5083 - 9SS2FP12.5XFP12.5-NI-V
- 5084 - 9SS2FP12.5XFP12.5-NI-AL
- 5085 - N/A

- 5000 - 9SS4FP25XFP25-Z-V
- 5001 - 9SS4FP25XFP25-Z-AL
- 5002 - 9SS4FP25XFP25-Z-PFA
- 5003 - 9SS4FP25XFP25-NI-V
- 5004 - 9SS4FP25XFP25-NI-AL
- 5005 - 9SS4FP25XFP25-NI-PFA
- 5006 - 9SS4FP25XFP25-440-AL
- 5007 - 9SS4FP25XFP25-440-PFA

- 5010 - 9SS8FP38XFP38-Z-V
- 5011 - 9SS8FP38XFP38-Z-AL
- 5012 - 9SS8FP38XFP38-Z-PFA
- 5013 - 9SS8FP38XFP38-NI-V
- 5014 - 9SS8FP38XFP38-NI-AL
- 5015 - 9SS8FP38XFP38-NI-PFA
- 5016 - 9SS8FP38XFP38-440-AL
- 5017 - 9SS8FP38XFP38-440-PFA

- 5020 - 9SS8FP50XFP50-Z-V
- 5021 - 9SS8FP50XFP50-Z-AL
- 5022 - 9SS8FP50XFP50-Z-PFA
- 5023 - 9SS8FP50XFP50-NI-V
- 5024 - 9SS8FP50XFP50-NI-AL
- 5025 - 9SS8FP50XFP50-NI-PFA
- 5026 - 9SS8FP50XFP50-440-AL
- 5027 - 9SS8FP50XFP50-440-PFA

- 5030 - 9SS12FP75XFP75-Z-V
- 5031 - 9SS12FP75XFP75-Z-AL
- 5032 - 9SS12FP75XFP75-Z-PFA
- 5033 - 9SS12FP75XFP75-NI-V
- 5034 - 9SS12FP75XFP75-NI-AL
- 5035 - 9SS12FP75XFP75-NI-PFA
- 5036 - 9SS12FP75XFP75-440-AL
- 5037 - 9SS12FP75XFP75-440-PFA

- 5040 - 9SS16FP100XFP100-Z-V
- 5041 - 9SS16FP100XFP100-Z-AL
- 5042 - 9SS16FP100XFP100-Z-PFA
- 5043 - 9SS16FP100XFP100-NI-V
- 5044 - 9SS16FP100XFP100-NI-AL
- 5045 - 9SS16FP100XFP100-NI-PFA
- 5046 - 9SS16FP100XFP100-440-AL
- 5047 - 9SS16FP100XFP100-440-PFA

- 5050 - 9SS20FP125XFP125-Z-V
- 5051 - 9SS20FP125XFP125-Z-AL
- 5052 - 9SS20FP125XFP125-Z-PFA
- 5053 - 9SS20FP125XFP125-NI-V
- 5054 - 9SS20FP125XFP125-NI-AL
- 5055 - 9SS20FP125XFP125-NI-PFA
- 5056 - 9SS20FP125XFP125-440-AL
- 5057 - 9SS20FP125XFP125-440-PFA

- 5063 - 9SS24FP150XFP150-NI-V
- 5064 - 9SS24FP150XFP150-NI-AL

ITEM DESCRIPTION

- 5065 - 9SS24FP150XFP150-NI-PFA
- 5066 - 9SS24FP150XFP150-440-AL
- 5067 - 9SS24FP150XFP150-440-PFA

- 5073 - 9SS32FP200XFP200-NI-V
- 5074 - 9SS32FP200XFP200-NI-AL
- 5075 - 9SS32FP200XFP200-NI-PFA
- 5076 - 9SS32FP200XFP200-440-AL
- 5077 - 9SS32FP200XFP200-440-PFA

**90° Male Pipe (N.P.T.F.)
x Female Pipe (N.P.T.F.) Page 24**

- 21081 - 9SS2MP12.5XFP12.5-Z-V
- 21084 - 9SS2MP12.5XFP12.5-Z-AL
- 21090 - 9SS2MP12.5XFP12.5-NI-V
- 21091 - 9SS2MP12.5XFP12.5-NI-AL

- 5100 - 9SS4MP25XFP25-Z-V
- 5101 - 9SS4MP25XFP25-Z-AL
- 5102 - 9SS4MP25XFP25-Z-PFA
- 5103 - 9SS4MP25XFP25-NI-V
- 5104 - 9SS4MP25XFP25-NI-AL
- 5105 - 9SS4MP25XFP25-NI-PFA
- 5106 - 9SS4MP25XFP25-440-AL
- 5107 - 9SS4MP25XFP25-440-PFA

- 5180 - 9SS4MP38XFP25-Z-V
- 5181 - 9SS4MP38XFP25-Z-AL
- 5182 - 9SS4MP38XFP25-Z-PFA
- 5183 - 9SS4MP38XFP25-NI-V
- 5184 - 9SS4MP38XFP25-NI-AL
- 5185 - 9SS4MP38XFP25-NI-PFA

- 5190 - 9SS7MP38XFP38-Z-V
- 5191 - 9SS7MP38XFP38-Z-AL
- 5192 - 9SS7MP38XFP38-Z-PFA
- 5193 - 9SS7MP38XFP38-NI-V
- 5194 - 9SS7MP38XFP38-NI-AL
- 5195 - 9SS7MP38XFP38-NI-PFA

- 5110 - 9SS8MP38XFP38-Z-V
- 5111 - 9SS8MP38XFP38-Z-AL
- 5112 - 9SS8MP38XFP38-Z-PFA
- 5113 - 9SS8MP38XFP38-NI-V
- 5114 - 9SS8MP38XFP38-NI-AL
- 5115 - 9SS8MP38XFP38-NI-PFA
- 5116 - 9SS8MP38XFP38-440-AL
- 5117 - 9SS8MP38XFP38-440-PFA

- 5120 - 9SS8MP50XFP50-Z-V
- 5121 - 9SS8MP50XFP50-Z-AL
- 5122 - 9SS8MP50XFP50-Z-PFA
- 5123 - 9SS8MP50XFP50-NI-V
- 5124 - 9SS8MP50XFP50-NI-AL
- 5125 - 9SS8MP50XFP50-NI-PFA
- 5126 - 9SS8MP50XFP50-440-AL
- 5127 - 9SS8MP50XFP50-440-PFA

- 5130 - 9SS12MP75XFP75-Z-V
- 5131 - 9SS12MP75XFP75-Z-AL
- 5132 - 9SS12MP75XFP75-Z-PFA
- 5133 - 9SS12MP75XFP75-NI-V
- 5134 - 9SS12MP75XFP75-NI-AL
- 5135 - 9SS12MP75XFP75-NI-PFA
- 5136 - 9SS12MP75XFP75-440-AL
- 5137 - 9SS12MP75XFP75-440-PFA

- 5140 - 9SS16MP100XFP100-Z-V
- 5141 - 9SS16MP100XFP100-Z-AL
- 5142 - 9SS16MP100XFP100-Z-PFA
- 5143 - 9SS16MP100XFP100-NI-V
- 5144 - 9SS16MP100XFP100-NI-AL
- 5145 - 9SS16MP100XFP100-NI-PFA
- 5146 - 9SS16MP100XFP100-440-AL
- 5147 - 9SS16MP100XFP100-440-PFA

- 5150 - 9SS20MP125XFP125-Z-V
- 5151 - 9SS20MP125XFP125-Z-AL
- 5152 - 9SS20MP125XFP125-Z-PFA
- 5153 - 9SS20MP125XFP125-NI-V
- 5154 - 9SS20MP125XFP125-NI-AL
- 5155 - 9SS20MP125XFP125-NI-PFA
- 5156 - 9SS20MP125XFP125-440-AL
- 5157 - 9SS20MP125XFP125-440-PFA

ITEM DESCRIPTION

5163 - 9SS24MP150XFP150-Ni-V
 5164 - 9SS24MP150XFP150-Ni-AL
 5165 - 9SS24MP150XFP150-Ni-PFA
 5166 - 9SS24MP150XFP150-440-AL
 5167 - 9SS24MP150XFP150-440-PFA

5173 - 9SS32MP200XFP200-Ni-V
 5174 - 9SS32MP200XFP200-Ni-AL
 5175 - 9SS32MP200XFP200-Ni-PFA
 5176 - 9SS32MP200XFP200-440-AL
 5177 - 9SS32MP200XFP200-440-PFA

**90° Male (J.I.C.)
 X Female (O.R.B.) Page 28**

5260 - 9SS4MJ4XFO6-Z-V
 5261 - 9SS4MJ4XFO6-Z-AL
 5262 - 9SS4MJ4XFO6-Z-PFA
 5263 - 9SS4MJ4XFO6-Ni-V
 5264 - 9SS4MJ4XFO6-Ni-AL
 5265 - 9SS4MJ4XFO6-Ni-PFA

5200 - 9SS4MJ6XFO6-Z-V
 5201 - 9SS4MJ6XFO6-Z-AL
 5202 - 9SS4MJ6XFO6-Z-PFA
 5203 - 9SS4MJ6XFO6-Ni-V
 5204 - 9SS4MJ6XFO6-Ni-AL
 5205 - 9SS4MJ6XFO6-Ni-PFA

5210 - 9SS8MJ8XFO8-Z-V
 5211 - 9SS8MJ8XFO8-Z-AL
 5212 - 9SS8MJ8XFO8-Z-PFA
 5213 - 9SS8MJ8XFO8-Ni-V
 5214 - 9SS8MJ8XFO8-Ni-AL
 5215 - 9SS8MJ8XFO8-Ni-PFA

5220 - 9SS8MJ10XFO8-Z-V
 5221 - 9SS8MJ10XFO8-Z-AL
 5222 - 9SS8MJ10XFO8-Z-PFA
 5223 - 9SS8MJ10XFO8-Ni-V
 5224 - 9SS8MJ10XFO8-Ni-AL
 5225 - 9SS8MJ10XFO8-Ni-PFA

5230 - 9SS12MJ12XFO12-Z-V
 5231 - 9SS12MJ12XFO12-Z-AL
 5232 - 9SS12MJ12XFO12-Z-PFA
 5233 - 9SS12MJ12XFO12-Ni-V
 5234 - 9SS12MJ12XFO12-Ni-AL
 5235 - 9SS12MJ12XFO12-Ni-PFA

5240 - 9SS16MJ16XFO16-Z-V
 5241 - 9SS16MJ16XFO16-Z-AL
 5242 - 9SS16MJ16XFO16-Z-PFA
 5243 - 9SS16MJ16XFO16-Ni-V
 5244 - 9SS16MJ16XFO16-Ni-AL
 5245 - 9SS16MJ16XFO16-Ni-PFA

5250 - 9SS20MJ20XFO20-Z-V
 5251 - 9SS20MJ20XFO20-Z-AL
 5252 - 9SS20MJ20XFO20-Z-PFA
 5253 - 9SS20MJ20XFO20-Ni-V
 5254 - 9SS20MJ20XFO20-Ni-AL
 5255 - 9SS20MJ20XFO20-Ni-PFA

**90° Male Bulkhead (J.I.C.)
 X Female (O.R.B.) Page 28**

5310 - 9SS8MJ8XFO8-Z-V
 5311 - 9SS8MJ8XFO8-Z-AL
 5312 - 9SS8MJ8XFO8-Z-PFA
 5313 - 9SS8MJ8XFO8-Ni-V
 5314 - 9SS8MJ8XFO8-Ni-AL
 5315 - 9SS8MJ8XFO8-Ni-PFA

5320 - 9SS8MJ10XFO8-Z-V
 5321 - 9SS8MJ10XFO8-Z-AL
 5322 - 9SS8MJ10XFO8-Z-PFA
 5323 - 9SS8MJ10XFO8-Ni-V
 5324 - 9SS8MJ10XFO8-Ni-AL
 5325 - 9SS8MJ10XFO8-Ni-PFA

ITEM DESCRIPTION

5330 - 9SS12MJB12XFO12-Z-V
 5331 - 9SS12MJB12XFO12-Z-AL
 5332 - 9SS12MJB12XFO12-Z-PFA
 5333 - 9SS12MJB12XFO12-Ni-V
 5334 - 9SS12MJB12XFO12-Ni-AL
 5335 - 9SS12MJB12XFO12-Ni-PFA

5340 - 9SS16MJB16XFO16-Z-V
 5341 - 9SS16MJB16XFO16-Z-AL
 5342 - 9SS16MJB16XFO16-Z-PFA
 5343 - 9SS16MJB16XFO16-Ni-V
 5344 - 9SS16MJB16XFO16-Ni-AL
 5345 - 9SS16MJB16XFO16-Ni-PFA

5350 - 9SS20MJB20XFO20-Z-V
 5351 - 9SS20MJB20XFO20-Z-AL
 5352 - 9SS20MJB20XFO20-Z-PFA
 5353 - 9SS20MJB20XFO20-Ni-V
 5354 - 9SS20MJB20XFO20-Ni-AL
 5355 - 9SS20MJB20XFO20-Ni-PFA

**90° Female Pipe (N.P.T.F.)
 X Female (O.R.B.) Page 27**

5400 - 9SS4FP25XFO6-Z-V
 5401 - 9SS4FP25XFO6-Z-AL
 5402 - 9SS4FP25XFO6-Z-PFA
 5403 - 9SS4FP25XFO6-Ni-V
 5404 - 9SS4FP25XFO6-Ni-AL
 5405 - 9SS4FP25XFO6-Ni-PFA

5410 - 9SS8FP38XFO8-Z-V
 5411 - 9SS8FP38XFO8-Z-AL
 5412 - 9SS8FP38XFO8-Z-PFA
 5413 - 9SS8FP38XFO8-Ni-V
 5414 - 9SS8FP38XFO8-Ni-AL
 5415 - 9SS8FP38XFO8-Ni-PFA

5420 - 9SS8FP50XFO8-Z-V
 5421 - 9SS8FP50XFO8-Z-AL
 5422 - 9SS8FP50XFO8-Z-PFA
 5423 - 9SS8FP50XFO8-Ni-V
 5424 - 9SS8FP50XFO8-Ni-AL
 5425 - 9SS8FP50XFO8-Ni-PFA

5430 - 9SS12FP75XFO12-Z-V
 5431 - 9SS12FP75XFO12-Z-AL
 5432 - 9SS12FP75XFO12-Z-PFA
 5433 - 9SS12FP75XFO12-Ni-V
 5434 - 9SS12FP75XFO12-Ni-AL
 5435 - 9SS12FP75XFO12-Ni-PFA

5440 - 9SS16FP100XFO16-Z-V
 5441 - 9SS16FP100XFO16-Z-AL
 5442 - 9SS16FP100XFO16-Z-PFA
 5443 - 9SS16FP100XFO16-Ni-V
 5444 - 9SS16FP100XFO16-Ni-AL
 5445 - 9SS16FP100XFO16-Ni-PFA

5450 - 9SS20FP125XFO20-Z-V
 5451 - 9SS20FP125XFO20-Z-AL
 5452 - 9SS20FP125XFO20-Z-PFA
 5453 - 9SS20FP125XFO20-Ni-V
 5454 - 9SS20FP125XFO20-Ni-AL
 5455 - 9SS20FP125XFO20-Ni-PFA

**90° Male Pipe (N.P.T.F.)
 X Female (O.R.B.) Page 27**

5500 - 9SS4MP25XFO6-Z-V
 5501 - 9SS4MP25XFO6-Z-AL
 5502 - 9SS4MP25XFO6-Z-PFA
 5503 - 9SS4MP25XFO6-Ni-V
 5504 - 9SS4MP25XFO6-Ni-AL
 5505 - 9SS4MP25XFO6-Ni-PFA

5560 - 9SS4MP38XFO6-Z-V
 5561 - 9SS4MP38XFO6-Z-AL
 5562 - 9SS4MP38XFO6-Z-PFA
 5563 - 9SS4MP38XFO6-Ni-V
 5564 - 9SS4MP38XFO6-Ni-AL
 5565 - 9SS4MP38XFO6-Ni-PFA

ITEM DESCRIPTION

5510 - 9SS8MP38XFO8-Z-V
 5511 - 9SS8MP38XFO8-Z-AL
 5512 - 9SS8MP38XFO8-Z-PFA
 5513 - 9SS8MP38XFO8-Ni-V
 5514 - 9SS8MP38XFO8-Ni-AL
 5515 - 9SS8MP38XFO8-Ni-PFA

5520 - 9SS8MP50XFO8-Z-V
 5521 - 9SS8MP50XFO8-Z-AL
 5522 - 9SS8MP50XFO8-Z-PFA
 5523 - 9SS8MP50XFO8-Ni-V
 5524 - 9SS8MP50XFO8-Ni-AL
 5525 - 9SS8MP50XFO8-Ni-PFA

5530 - 9SS12MP75XFO12-Z-V
 5531 - 9SS12MP75XFO12-Z-AL
 5532 - 9SS12MP75XFO12-Z-PFA
 5533 - 9SS12MP75XFO12-Ni-V
 5534 - 9SS12MP75XFO12-Ni-AL
 5535 - 9SS12MP75XFO12-Ni-PFA

5540 - 9SS16MP100XFO16-Z-V
 5541 - 9SS16MP100XFO16-Z-AL
 5542 - 9SS16MP100XFO16-Z-PFA
 5543 - 9SS16MP100XFO16-Ni-V
 5544 - 9SS16MP100XFO16-Ni-AL
 5545 - 9SS16MP100XFO16-Ni-PFA

5550 - 9SS20MP125XFO20-Z-V
 5551 - 9SS20MP125XFO20-Z-AL
 5552 - 9SS20MP125XFO20-Z-PFA
 5553 - 9SS20MP125XFO20-Ni-V
 5554 - 9SS20MP125XFO20-Ni-AL
 5555 - 9SS20MP125XFO20-Ni-PFA

**90° Male (O.R.B.)
 X Female Pipe (N.P.T.F.) Page 25**

5690 - 9SS4MO4XFP25-Z-V
 5691 - 9SS4MO4XFP25-Z-AL
 5692 - 9SS4MO4XFP25-Z-PFA
 5693 - 9SS4MO4XFP25-Ni-V
 5694 - 9SS4MO4XFP25-Ni-AL
 5695 - 9SS4MO4XFP25-Ni-PFA

5600 - 9SS4MO6XFP25-Z-V
 5601 - 9SS4MO6XFP25-Z-AL
 5602 - 9SS4MO6XFP25-Z-PFA
 5603 - 9SS4MO6XFP25-Ni-V
 5604 - 9SS4MO6XFP25-Ni-AL
 5605 - 9SS4MO6XFP25-Ni-PFA

5610 - 9SS8MO8XFP38-Z-V
 5611 - 9SS8MO8XFP38-Z-AL
 5612 - 9SS8MO8XFP38-Z-PFA
 5613 - 9SS8MO8XFP38-Ni-V
 5614 - 9SS8MO8XFP38-Ni-AL
 5615 - 9SS8MO8XFP38-Ni-PFA

5620 - 9SS8MO10XFP38-Z-V
 5621 - 9SS8MO10XFP38-Z-AL
 5622 - 9SS8MO10XFP38-Z-PFA
 5623 - 9SS8MO10XFP38-Ni-V
 5624 - 9SS8MO10XFP38-Ni-AL
 5625 - 9SS8MO10XFP38-Ni-PFA

5630 - 9SS8MO8XFP50-Z-V
 5631 - 9SS8MO8XFP50-Z-AL
 5632 - 9SS8MO8XFP50-Z-PFA
 5633 - 9SS8MO8XFP50-Ni-V
 5634 - 9SS8MO8XFP50-Ni-AL
 5635 - 9SS8MO8XFP50-Ni-PFA

5640 - 9SS8MO10XFP50-Z-V
 5641 - 9SS8MO10XFP50-Z-AL
 5642 - 9SS8MO10XFP50-Z-PFA
 5643 - 9SS8MO10XFP50-Ni-V
 5644 - 9SS8MO10XFP50-Ni-AL
 5645 - 9SS8MO10XFP50-Ni-PFA

ITEM DESCRIPTION

5650 - 9SS12MO12XFP75-Z-V
 5651 - 9SS12MO12XFP75-Z-AL
 5652 - 9SS12MO12XFP75-Z-PFA
 5653 - 9SS12MO12XFP75-Ni-V
 5654 - 9SS12MO12XFP75-Ni-AL
 5655 - 9SS12MO12XFP75-Ni-PFA

5660 - 9SS16MO16XFP100-Z-V
 5661 - 9SS16MO16XFP100-Z-AL
 5662 - 9SS16MO16XFP100-Z-PFA
 5663 - 9SS16MO16XFP100-Ni-V
 5664 - 9SS16MO16XFP100-Ni-AL
 5665 - 9SS16MO16XFP100-Ni-PFA

5670 - 9SS20MO20XFP125-Z-V
 5671 - 9SS20MO20XFP125-Z-AL
 5672 - 9SS20MO20XFP125-Z-PFA
 5673 - 9SS20MO20XFP125-Ni-V
 5674 - 9SS20MO20XFP125-Ni-AL
 5675 - 9SS20MO20XFP125-Ni-PFA

5683 - 9SS24MO24XFP150-Ni-V
 5684 - 9SS24MO24XFP150-Ni-AL
 5685 - 9SS24MO24XFP150-Ni-PFA

**90° Male (O.R.B.)
 X Female (O.R.B.) Page 26**

5780 - 9SS4MO4XFO6-Z-V
 5781 - 9SS4MO4XFO6-Z-AL
 5782 - 9SS4MO4XFO6-Z-PFA
 5783 - 9SS4MO4XFO6-Ni-V
 5784 - 9SS4MO4XFO6-Ni-AL
 5785 - 9SS4MO4XFO6-Ni-PFA

5700 - 9SS4MO6XFO6-Z-V
 5701 - 9SS4MO6XFO6-Z-AL
 5702 - 9SS4MO6XFO6-Z-PFA
 5703 - 9SS4MO6XFO6-Ni-V
 5704 - 9SS4MO6XFO6-Ni-AL
 5705 - 9SS4MO6XFO6-Ni-PFA

5760 - 9SS4MO10XFO6-Z-V
 5770 - 9SS4MO10XFO6-Z-V-001

5710 - 9SS8MO8XFO8-Z-V
 5711 - 9SS8MO8XFO8-Z-AL
 5712 - 9SS8MO8XFO8-Z-PFA
 5713 - 9SS8MO8XFO8-Ni-V
 5714 - 9SS8MO8XFO8-Ni-AL
 5715 - 9SS8MO8XFO8-Ni-PFA

5720 - 9SS8MO10XFO8-Z-V
 5721 - 9SS8MO10XFO8-Z-AL
 5722 - 9SS8MO10XFO8-Z-PFA
 5723 - 9SS8MO10XFO8-Ni-V
 5724 - 9SS8MO10XFO8-Ni-AL
 5725 - 9SS8MO10XFO8-Ni-PFA

5730 - 9SS12MO12XFO12-Z-V
 5731 - 9SS12MO12XFO12-Z-AL
 5732 - 9SS12MO12XFO12-Z-PFA
 5733 - 9SS12MO12XFO12-Ni-V
 5734 - 9SS12MO12XFO12-Ni-AL
 5735 - 9SS12MO12XFO12-Ni-PFA

5740 - 9SS16MO16XFO16-Z-V
 5741 - 9SS16MO16XFO16-Z-AL
 5742 - 9SS16MO16XFO16-Z-PFA
 5743 - 9SS16MO16XFO16-Ni-V
 5744 - 9SS16MO16XFO16-Ni-AL
 5745 - 9SS16MO16XFO16-Ni-PFA

5750 - 9SS20MO20XFO20-Z-V
 5751 - 9SS20MO20XFO20-Z-AL
 5752 - 9SS20MO20XFO20-Z-PFA
 5753 - 9SS20MO20XFO20-Ni-V
 5754 - 9SS20MO20XFO20-Ni-AL
 5755 - 9SS20MO20XFO20-Ni-PFA

ITEM DESCRIPTION

**90° Male (J.I.C.)
X Female Pipe (N.P.T.F.) Page 25**

5890 - 9SS4MJ4XFP25-Z-V
5891 - 9SS4MJ4XFP25-Z-AL
5892 - 9SS4MJ4XFP25-Z-PFA
5893 - 9SS4MJ4XFP25-Ni-V
5894 - 9SS4MJ4XFP25-Ni-AL
5895 - 9SS4MJ4XFP25-Ni-PFA

5800 - 9SS4MJ6XFP25-Z-V
5801 - 9SS4MJ6XFP25-Z-AL
5802 - 9SS4MJ6XFP25-Z-PFA
5803 - 9SS4MJ6XFP25-Ni-V
5804 - 9SS4MJ6XFP25-Ni-AL
5805 - 9SS4MJ6XFP25-Ni-PFA

5810 - 9SS8MJ8XFP38-Z-V
5811 - 9SS8MJ8XFP38-Z-AL
5812 - 9SS8MJ8XFP38-Z-PFA
5813 - 9SS8MJ8XFP38-Ni-V
5814 - 9SS8MJ8XFP38-Ni-AL
5815 - 9SS8MJ8XFP38-Ni-PFA

5870 - 9SS8MJ10XFP38-Z-V
5871 - 9SS8MJ10XFP38-Z-AL
5872 - 9SS8MJ10XFP38-Z-PFA
5873 - 9SS8MJ10XFP38-Ni-V
5874 - 9SS8MJ10XFP38-Ni-AL
5875 - 9SS8MJ10XFP38-Ni-PFA

5820 - 9SS8MJ8XFP50-Z-V
5821 - 9SS8MJ8XFP50-Z-AL
5822 - 9SS8MJ8XFP50-Z-PFA
5823 - 9SS8MJ8XFP50-Ni-V
5824 - 9SS8MJ8XFP50-Ni-AL
5825 - 9SS8MJ8XFP50-Ni-PFA

5830 - 9SS8MJ10XFP50-Z-V
5831 - 9SS8MJ10XFP50-Z-AL
5832 - 9SS8MJ10XFP50-Z-PFA
5833 - 9SS8MJ10XFP50-Ni-V
5834 - 9SS8MJ10XFP50-Ni-AL
5835 - 9SS8MJ10XFP50-Ni-PFA

5840 - 9SS12MJ12XFP75-Z-V
5841 - 9SS12MJ12XFP75-Z-AL
5842 - 9SS12MJ12XFP75-Z-PFA
5843 - 9SS12MJ12XFP75-Ni-V
5844 - 9SS12MJ12XFP75-Ni-AL
5845 - 9SS12MJ12XFP75-Ni-PFA

5850 - 9SS16MJ16XFP100-Z-V
5851 - 9SS16MJ16XFP100-Z-AL
5852 - 9SS16MJ16XFP100-Z-PFA
5853 - 9SS16MJ16XFP100-Ni-V
5854 - 9SS16MJ16XFP100-Ni-AL
5855 - 9SS16MJ16XFP100-Ni-PFA

5860 - 9SS20MJ20XFP125-Z-V
5861 - 9SS20MJ20XFP125-Z-AL
5862 - 9SS20MJ20XFP125-Z-PFA
5863 - 9SS20MJ20XFP125-Ni-V
5864 - 9SS20MJ20XFP125-Ni-AL
5865 - 9SS20MJ20XFP125-Ni-PFA

5883 - 9SS24MJ24XFP150-Ni-V
5884 - 9SS24MJ24XFP150-Ni-AL
5885 - 9SS24MJ24XFP150-Ni-PFA

**90° (H.P.) Female Pipe
X Female Pipe (N.P.T.F.) Page 43**

5923 - 9SS8HPFP50XFP50-Ni-V
5924 - 9SS8HPFP50XFP50-Ni-AL

**90° (H.P.) Male Pipe
X Female Pipe (N.P.T.F.) Page 43**

6023 - 9SS8HPMP50XFP50-Ni-V
6024 - 9SS8HPMP50XFP50-Ni-AL

ITEM DESCRIPTION

**90° Male Bulkhead (J.I.C.)
X Female Pipe (N.P.T.F.) Page 26**

6110 - 9SS8MJ8XFP38-Z-V
6111 - 9SS8MJ8XFP38-Z-AL
6112 - 9SS8MJ8XFP38-Z-PFA
6113 - 9SS8MJ8XFP38-Ni-V
6114 - 9SS8MJ8XFP38-Ni-AL
6115 - 9SS8MJ8XFP38-Ni-PFA

6120 - 9SS8MJ8XFP50-Z-V
6121 - 9SS8MJ8XFP50-Z-AL
6122 - 9SS8MJ8XFP50-Z-PFA
6123 - 9SS8MJ8XFP50-Ni-V
6124 - 9SS8MJ8XFP50-Ni-AL
6125 - 9SS8MJ8XFP50-Ni-PFA

6170 - 9SS8MJB10XFP38-Z-V
6171 - 9SS8MJB10XFP38-Z-AL
6172 - 9SS8MJB10XFP38-Z-PFA
6173 - 9SS8MJB10XFP38-Ni-V
6174 - 9SS8MJB10XFP38-Ni-AL
6175 - 9SS8MJB10XFP38-Ni-PFA

6130 - 9SS8MJB10XFP50-Z-V
6131 - 9SS8MJB10XFP50-Z-AL
6132 - 9SS8MJB10XFP50-Z-PFA
6133 - 9SS8MJB10XFP50-Ni-V
6134 - 9SS8MJB10XFP50-Ni-AL
6135 - 9SS8MJB10XFP50-Ni-PFA

6140 - 9SS12MJB12XFP75-Z-V
6141 - 9SS12MJB12XFP75-Z-AL
6142 - 9SS12MJB12XFP75-Z-PFA
6143 - 9SS12MJB12XFP75-Ni-V
6144 - 9SS12MJB12XFP75-Ni-AL
6145 - 9SS12MJB12XFP75-Ni-PFA

6150 - 9SS16MJB16XFP100-Z-V
6151 - 9SS16MJB16XFP100-Z-AL
6152 - 9SS16MJB16XFP100-Z-PFA
6153 - 9SS16MJB16XFP100-Ni-V
6154 - 9SS16MJB16XFP100-Ni-AL
6155 - 9SS16MJB16XFP100-Ni-PFA

6160 - 9SS20MJB20XFP125-Z-V
6161 - 9SS20MJB20XFP125-Z-AL
6162 - 9SS20MJB20XFP125-Z-PFA
6163 - 9SS20MJB20XFP125-Ni-V
6164 - 9SS20MJB20XFP125-Ni-AL
6165 - 9SS20MJB20XFP125-Ni-PFA

**90° Female Pipe (N.P.T.F.)
X Pipe Swivel (N.P.S.M.) Page 29**

6200 - 9SS4FP25XPS25-Z-V
6201 - 9SS4FP25XPS25-Z-AL
6202 - 9SS4FP25XPS25-Z-PFA
6203 - 9SS4FP25XPS25-Ni-V
6204 - 9SS4FP25XPS25-Ni-AL
6205 - 9SS4FP25XPS25-Ni-PFA

6260 - 9SS4FP25XPS38-Z-V
6261 - 9SS4FP25XPS38-Z-AL
6262 - 9SS4FP25XPS38-Z-PFA
6263 - 9SS4FP25XPS38-Ni-V
6264 - 9SS4FP25XPS38-Ni-AL
6265 - 9SS4FP25XPS38-Ni-PFA

6210 - 9SS8FP38XPS38 - Z - V
6211 - 9SS8FP38XPS38 - Z - AL
6212 - 9SS8FP38XPS38 - Z - PFA
6213 - 9SS8FP38XPS38 - Ni - V
6214 - 9SS8FP38XPS38 - Ni - AL
6215 - 9SS8FP38XPS38 - Ni - PFA

6220 - 9SS8FP50XPS50-Z-V
6221 - 9SS8FP50XPS50-Z-AL
6222 - 9SS8FP50XPS50-Z-PFA
6223 - 9SS8FP50XPS50-Ni-V
6224 - 9SS8FP50XPS50-Ni-AL
6225 - 9SS8FP50XPS50-Ni-PFA

ITEM DESCRIPTION

6230 - 9SS12FP75XPS75-Z-V
6231 - 9SS12FP75XPS75-Z-AL
6232 - 9SS12FP75XPS75-Z-PFA
6233 - 9SS12FP75XPS75-Ni-V
6234 - 9SS12FP75XPS75-Ni-AL
6235 - 9SS12FP75XPS75-Ni-PFA

6240 - 9SS16FP100XPS100-Z-V
6241 - 9SS16FP100XPS100-Z-AL
6242 - 9SS16FP100XPS100-Z-PFA
6243 - 9SS16FP100XPS100-Ni-V
6244 - 9SS16FP100XPS100-Ni-AL
6245 - 9SS16FP100XPS100-Ni-PFA

6250 - 9SS20FP125XPS125-Z-V
6251 - 9SS20FP125XPS125-Z-AL
6252 - 9SS20FP125XPS125-Z-PFA
6253 - 9SS20FP125XPS125-Ni-V
6254 - 9SS20FP125XPS125-Ni-AL
6255 - 9SS20FP125XPS125-Ni-PFA

6273 - 9SS24FP150XPS150-Ni-V
6274 - 9SS24FP150XPS150-Ni-AL
6275 - 9SS24FP150XPS150-Ni-PFA

**90° Male Pipe (N.P.T.F.)
X Pipe Swivel (N.P.S.M.) Page 29**

6300 - 9SS4MP25XPS25-Z-V
6301 - 9SS4MP25XPS25-Z-AL
6302 - 9SS4MP25XPS25-Z-PFA
6303 - 9SS4MP25XPS25-Ni-V
6304 - 9SS4MP25XPS25-Ni-AL
6305 - 9SS4MP25XPS25-Ni-PFA

6370 - 9SS4MP25XPS38-Z-V
6371 - 9SS4MP25XPS38-Z-AL
6372 - 9SS4MP25XPS38-Z-PFA
6373 - 9SS4MP25XPS38-Ni-V
6374 - 9SS4MP25XPS38-Ni-AL
6375 - 9SS4MP25XPS38-Ni-PFA

6360 - 9SS4MP38XPS25-Z-V
6361 - 9SS4MP38XPS25-Z-AL
6362 - 9SS4MP38XPS25-Z-PFA
6363 - 9SS4MP38XPS25-Ni-V
6364 - 9SS4MP38XPS25-Ni-AL
6365 - 9SS4MP38XPS25-Ni-PFA

6380 - 9SS4MP38XPS38-Z-V
6381 - 9SS4MP38XPS38-Z-AL
6382 - 9SS4MP38XPS38-Z-PFA
6383 - 9SS4MP38XPS38-Ni-V
6384 - 9SS4MP38XPS38-Ni-AL
6385 - 9SS4MP38XPS38-Ni-PFA

6310 - 9SS8MP38XPS38-Z-V
6311 - 9SS8MP38XPS38-Z-AL
6312 - 9SS8MP38XPS38-Z-PFA
6313 - 9SS8MP38XPS38-Ni-V
6314 - 9SS8MP38XPS38-Ni-AL
6315 - 9SS8MP38XPS38-Ni-PFA

6320 - 9SS8MP50XPS50-Z-V
6321 - 9SS8MP50XPS50-Z-AL
6322 - 9SS8MP50XPS50-Z-PFA
6323 - 9SS8MP50XPS50-Ni-V
6324 - 9SS8MP50XPS50-Ni-AL
6325 - 9SS8MP50XPS50-Ni-PFA

6330 - 9SS12MP75XPS75-Z-V
6331 - 9SS12MP75XPS75-Z-AL
6332 - 9SS12MP75XPS75-Z-PFA
6333 - 9SS12MP75XPS75-Ni-V
6334 - 9SS12MP75XPS75-Ni-AL
6335 - 9SS12MP75XPS75-Ni-PFA

6340 - 9SS16MP100XPS100-Z-V
6341 - 9SS16MP100XPS100-Z-AL
6342 - 9SS16MP100XPS100-Z-PFA
6343 - 9SS16MP100XPS100-Ni-V
6344 - 9SS16MP100XPS100-Ni-AL
6345 - 9SS16MP100XPS100-Ni-PFA

ITEM DESCRIPTION

6350 - 9SS20MP125XPS125-Z-V
6351 - 9SS20MP125XPS125-Z-AL
6352 - 9SS20MP125XPS125-Z-PFA
6353 - 9SS20MP125XPS125-Ni-V
6354 - 9SS20MP125XPS125-Ni-AL
6355 - 9SS20MP125XPS125-Ni-PFA

6393 - 9SS24MP150XPS150-Ni-V
6394 - 9SS24MP150XPS150-Ni-AL
6395 - 9SS24MP150XPS150-Ni-PFA

**90° Male (O.R.B.)
X Pipe Swivel (N.P.S.M.) Page 30**

6490 - 9SS4MO4XPS25-Z-V
6491 - 9SS4MO4XPS25-Z-AL
6492 - 9SS4MO4XPS25-Z-PFA
6493 - 9SS4MO4XPS25-Ni-V
6494 - 9SS4MO4XPS25-Ni-AL
6495 - 9SS4MO4XPS25-Ni-PFA

6400 - 9SS4MO6XPS25-Z-V
6401 - 9SS4MO6XPS25-Z-AL
6402 - 9SS4MO6XPS25-Z-PFA
6403 - 9SS4MO6XPS25-Ni-V
6404 - 9SS4MO6XPS25-Ni-AL
6405 - 9SS4MO6XPS25-Ni-PFA

6470 - 9SS4MO6XPS38-Z-V
6471 - 9SS4MO6XPS38-Z-AL
6472 - 9SS4MO6XPS38-Z-PFA
6473 - 9SS4MO6XPS38-Ni-V
6474 - 9SS4MO6XPS38-Ni-AL
6475 - 9SS4MO6XPS38-Ni-PFA

6410 - 9SS8MO8XPS38-Z-V
6411 - 9SS8MO8XPS38-Z-AL
6412 - 9SS8MO8XPS38-Z-PFA
6413 - 9SS8MO8XPS38-Ni-V
6414 - 9SS8MO8XPS38-Ni-AL
6415 - 9SS8MO8XPS38-Ni-PFA

6420 - 9SS8MO8XPS50-Z-V
6421 - 9SS8MO8XPS50-Z-AL
6422 - 9SS8MO8XPS50-Z-PFA
6423 - 9SS8MO8XPS50-Ni-V
6424 - 9SS8MO8XPS50-Ni-AL
6425 - 9SS8MO8XPS50-Ni-PFA

6430 - 9SS8MO10XPS50-Z-V
6431 - 9SS8MO10XPS50-Z-AL
6432 - 9SS8MO10XPS50-Z-PFA
6433 - 9SS8MO10XPS50-Ni-V
6434 - 9SS8MO10XPS50-Ni-AL
6435 - 9SS8MO10XPS50-Ni-PFA

6440 - 9SS12MO12XPS75-Z-V
6441 - 9SS12MO12XPS75-Z-AL
6442 - 9SS12MO12XPS75-Z-PFA
6443 - 9SS12MO12XPS75-Ni-V
6444 - 9SS12MO12XPS75-Ni-AL
6445 - 9SS12MO12XPS75-Ni-PFA

6450 - 9SS16MO16XPS100-Z-V
6451 - 9SS16MO16XPS100-Z-AL
6452 - 9SS16MO16XPS100-Z-PFA
6453 - 9SS16MO16XPS100-Ni-V
6454 - 9SS16MO16XPS100-Ni-AL
6455 - 9SS16MO16XPS100-Ni-PFA

6460 - 9SS20MO20XPS125-Z-V
6461 - 9SS20MO20XPS125-Z-AL
6462 - 9SS20MO20XPS125-Z-PFA
6463 - 9SS20MO20XPS125-Ni-V
6464 - 9SS20MO20XPS125-Ni-AL
6465 - 9SS20MO20XPS125-Ni-PFA

6483 - 9SS24MO24XPS150-Ni-V
6484 - 9SS24MO24XPS150-Ni-AL
6485 - 9SS24MO24XPS150-Ni-PFA

ITEM DESCRIPTION

**90° Male (J.I.C.)
X Pipe Swivel (N.P.S.M.) Page 30**

- 6590 - 9SS4MJ4XPS25-Z-V
- 6591 - 9SS4MJ4XPS25-Z-AL
- 6592 - 9SS4MJ4XPS25-Z-PFA
- 6593 - 9SS4MJ4XPS25-Ni-V
- 6594 - 9SS4MJ4XPS25-Ni-AL
- 6595 - 9SS4MJ4XPS25-Ni-PFA

- 6500 - 9SS4MJ6XPS25-Z-V
- 6501 - 9SS4MJ6XPS25-Z-AL
- 6502 - 9SS4MJ6XPS25-Z-PFA
- 6503 - 9SS4MJ6XPS25-Ni-V
- 6504 - 9SS4MJ6XPS25-Ni-AL
- 6505 - 9SS4MJ6XPS25-Ni-PFA

- 6570 - 9SS4MJ6XPS38-Z-V
- 6571 - 9SS4MJ6XPS38-Z-AL
- 6572 - 9SS4MJ6XPS38-Z-PFA
- 6573 - 9SS4MJ6XPS38-Ni-V
- 6574 - 9SS4MJ6XPS38-Ni-AL
- 6575 - 9SS4MJ6XPS38-Ni-PFA

- 6510 - 9SS8MJ8XPS38-Z-V
- 6511 - 9SS8MJ8XPS38-Z-AL
- 6512 - 9SS8MJ8XPS38-Z-PFA
- 6513 - 9SS8MJ8XPS38-Ni-V
- 6514 - 9SS8MJ8XPS38-Ni-AL
- 6515 - 9SS8MJ8XPS38-Ni-PFA

- 6520 - 9SS8MJ8XPS50-Z-V
- 6521 - 9SS8MJ8XPS50-Z-AL
- 6522 - 9SS8MJ8XPS50-Z-PFA
- 6523 - 9SS8MJ8XPS50-Ni-V
- 6524 - 9SS8MJ8XPS50-Ni-AL
- 6525 - 9SS8MJ8XPS50-Ni-PFA

- 6530 - 9SS8MJ10XPS50-Z-V
- 6531 - 9SS8MJ10XPS50-Z-AL
- 6532 - 9SS8MJ10XPS50-Z-PFA
- 6533 - 9SS8MJ10XPS50-Ni-V
- 6534 - 9SS8MJ10XPS50-Ni-AL
- 6535 - 9SS8MJ10XPS50-Ni-PFA

- 6540 - 9SS12MJ12XPS75-Z-V
- 6541 - 9SS12MJ12XPS75-Z-AL
- 6542 - 9SS12MJ12XPS75-Z-PFA
- 6543 - 9SS12MJ12XPS75-Ni-V
- 6544 - 9SS12MJ12XPS75-Ni-AL
- 6545 - 9SS12MJ12XPS75-Ni-PFA

- 6550 - 9SS16MJ16XPS100-Z-V
- 6551 - 9SS16MJ16XPS100-Z-AL
- 6552 - 9SS16MJ16XPS100-Z-PFA
- 6553 - 9SS16MJ16XPS100-Ni-V
- 6554 - 9SS16MJ16XPS100-Ni-AL
- 6555 - 9SS16MJ16XPS100-Ni-PFA

- 6560 - 9SS20MJ20XPS125-Z-V
- 6561 - 9SS20MJ20XPS125-Z-AL
- 6562 - 9SS20MJ20XPS125-Z-PFA
- 6563 - 9SS20MJ20XPS125-Ni-V
- 6564 - 9SS20MJ20XPS125-Ni-AL
- 6565 - 9SS20MJ20XPS125-Ni-PFA

- 6583 - 9SS24MJ24XPS150-Ni-V
- 6584 - 9SS24MJ24XPS150-Ni-AL
- 6585 - 9SS24MJ24XPS150-Ni-PFA

**90° Male Bulkhead (J.I.C.)
X Pipe Swivel (N.P.S.M.) Page 31**

- 6610 - 9SS8MJ8XPS38-Z-V
- 6611 - 9SS8MJ8XPS38-Z-AL
- 6612 - 9SS8MJ8XPS38-Z-PFA
- 6613 - 9SS8MJ8XPS38-Ni-V
- 6614 - 9SS8MJ8XPS38-Ni-AL
- 6615 - 9SS8MJ8XPS38-Ni-PFA

- 6620 - 9SS8MJ8XPS50-Z-V
- 6621 - 9SS8MJ8XPS50-Z-AL
- 6622 - 9SS8MJ8XPS50-Z-PFA
- 6623 - 9SS8MJ8XPS50-Ni-V
- 6624 - 9SS8MJ8XPS50-Ni-AL
- 6625 - 9SS8MJ8XPS50-Ni-PFA

ITEM DESCRIPTION

- 6630 - 9SS8MJ10XPS50-Z-V
- 6631 - 9SS8MJ10XPS50-Z-AL
- 6632 - 9SS8MJ10XPS50-Z-PFA
- 6633 - 9SS8MJ10XPS50-Ni-V
- 6634 - 9SS8MJ10XPS50-Ni-AL
- 6635 - 9SS8MJ10XPS50-Ni-PFA

- 6640 - 9SS12MJ12XPS75-Z-V
- 6641 - 9SS12MJ12XPS75-Z-AL
- 6642 - 9SS12MJ12XPS75-Z-PFA
- 6643 - 9SS12MJ12XPS75-Ni-V
- 6644 - 9SS12MJ12XPS75-Ni-AL
- 6645 - 9SS12MJ12XPS75-Ni-PFA

- 6650 - 9SS16MJ16XPS100-Z-V
- 6651 - 9SS16MJ16XPS100-Z-AL
- 6652 - 9SS16MJ16XPS100-Z-PFA
- 6653 - 9SS16MJ16XPS100-Ni-V
- 6654 - 9SS16MJ16XPS100-Ni-AL
- 6655 - 9SS16MJ16XPS100-Ni-PFA

- 6660 - 9SS20MJ20XPS125-Z-V
- 6661 - 9SS20MJ20XPS125-Z-AL
- 6662 - 9SS20MJ20XPS125-Z-PFA
- 6663 - 9SS20MJ20XPS125-Ni-V
- 6664 - 9SS20MJ20XPS125-Ni-AL
- 6665 - 9SS20MJ20XPS125-Ni-PFA

**90° Female Pipe (N.P.T.F.)
X Male (J.I.C.) Page 31**

- 6780 - 9SS4FP25XMJ4-Z-V
- 6781 - 9SS4FP25XMJ4-Z-AL
- 6782 - 9SS4FP25XMJ4-Z-PFA
- 6783 - 9SS4FP25XMJ4-Ni-V
- 6784 - 9SS4FP25XMJ4-Ni-AL
- 6785 - 9SS4FP25XMJ4-Ni-PFA

- 6700 - 9SS4FP25XMJ6-Z-V
- 6701 - 9SS4FP25XMJ6-Z-AL
- 6702 - 9SS4FP25XMJ6-Z-PFA
- 6703 - 9SS4FP25XMJ6-Ni-V
- 6704 - 9SS4FP25XMJ6-Ni-AL
- 6705 - 9SS4FP25XMJ6-Ni-PFA

- 6790 - 9SS8FP38XMJ6-Z-V
- 6791 - 9SS8FP38XMJ6-Z-AL
- 6792 - 9SS8FP38XMJ6-Z-PFA
- 6793 - 9SS8FP38XMJ6-Ni-V
- 6794 - 9SS8FP38XMJ6-Ni-AL
- 6795 - 9SS8FP38XMJ6-Ni-PFA

- 6710 - 9SS8FP38XMJ8-Z-V
- 6711 - 9SS8FP38XMJ8-Z-AL
- 6712 - 9SS8FP38XMJ8-Z-PFA
- 6713 - 9SS8FP38XMJ8-Ni-V
- 6714 - 9SS8FP38XMJ8-Ni-AL
- 6715 - 9SS8FP38XMJ8-Ni-PFA

- 6720 - 9SS8FP50XMJ8-Z-V
- 6721 - 9SS8FP50XMJ8-Z-AL
- 6722 - 9SS8FP50XMJ8-Z-PFA
- 6723 - 9SS8FP50XMJ8-Ni-V
- 6724 - 9SS8FP50XMJ8-Ni-AL
- 6725 - 9SS8FP50XMJ8-Ni-PFA

- 6730 - 9SS8FP50XMJ10-Z-V
- 6731 - 9SS8FP50XMJ10-Z-AL
- 6732 - 9SS8FP50XMJ10-Z-PFA
- 6733 - 9SS8FP50XMJ10-Ni-V
- 6734 - 9SS8FP50XMJ10-Ni-AL
- 6735 - 9SS8FP50XMJ10-Ni-PFA

- 6740 - 9SS12FP75XMJ12-Z-V
- 6741 - 9SS12FP75XMJ12-Z-AL
- 6742 - 9SS12FP75XMJ12-Z-PFA
- 6743 - 9SS12FP75XMJ12-Ni-V
- 6744 - 9SS12FP75XMJ12-Ni-AL
- 6745 - 9SS12FP75XMJ12-Ni-PFA

- 6750 - 9SS16FP100XMJ16-Z-V
- 6751 - 9SS16FP100XMJ16-Z-AL
- 6752 - 9SS16FP100XMJ16-Z-PFA
- 6753 - 9SS16FP100XMJ16-Ni-V
- 6754 - 9SS16FP100XMJ16-Ni-AL
- 6755 - 9SS16FP100XMJ16-Ni-PFA

ITEM DESCRIPTION

- 6760 - 9SS20FP125XMJ20-Z-V
- 6761 - 9SS20FP125XMJ20-Z-AL
- 6762 - 9SS20FP125XMJ20-Z-PFA
- 6763 - 9SS20FP125XMJ20-Ni-V
- 6764 - 9SS20FP125XMJ20-Ni-AL
- 6765 - 9SS20FP125XMJ20-Ni-PFA

- 6773 - 9SS24FP150XMJ24-Ni-V
- 6774 - 9SS24FP150XMJ24-Ni-AL
- 6775 - 9SS24FP150XMJ24-Ni-PFA

**90° Male Pipe (N.P.T.F.)
X Male (J.I.C.) Page 32**

- 6890 - 9SS4MP25XMJ4-Z-V
- 6891 - 9SS4MP25XMJ4-Z-AL
- 6892 - 9SS4MP25XMJ4-Z-PFA
- 6893 - 9SS4MP25XMJ4-Ni-V
- 6894 - 9SS4MP25XMJ4-Ni-AL
- 6895 - 9SS4MP25XMJ4-Ni-PFA

- 6800 - 9SS4MP25XMJ6-Z-V
- 6801 - 9SS4MP25XMJ6-Z-AL
- 6802 - 9SS4MP25XMJ6-Z-PFA
- 6803 - 9SS4MP25XMJ6-Ni-V
- 6804 - 9SS4MP25XMJ6-Ni-AL
- 6805 - 9SS4MP25XMJ6-Ni-PFA

- 6870 - 9SS4MP38XMJ6-Z-V
- 6871 - 9SS4MP38XMJ6-Z-AL
- 6872 - 9SS4MP38XMJ6-Z-PFA
- 6873 - 9SS4MP38XMJ6-Ni-V
- 6874 - 9SS4MP38XMJ6-Ni-AL
- 6875 - 9SS4MP38XMJ6-Ni-PFA

- 6810 - 9SS8MP38XMJ8-Z-V
- 6811 - 9SS8MP38XMJ8-Z-AL
- 6812 - 9SS8MP38XMJ8-Z-PFA
- 6813 - 9SS8MP38XMJ8-Ni-V
- 6814 - 9SS8MP38XMJ8-Ni-AL
- 6815 - 9SS8MP38XMJ8-Ni-PFA

- 6820 - 9SS8MP50XMJ8-Z-V
- 6821 - 9SS8MP50XMJ8-Z-AL
- 6822 - 9SS8MP50XMJ8-Z-PFA
- 6823 - 9SS8MP50XMJ8-Ni-V
- 6824 - 9SS8MP50XMJ8-Ni-AL
- 6825 - 9SS8MP50XMJ8-Ni-PFA

- 6830 - 9SS8MP50XMJ10-Z-V
- 6831 - 9SS8MP50XMJ10-Z-AL
- 6832 - 9SS8MP50XMJ10-Z-PFA
- 6833 - 9SS8MP50XMJ10-Ni-V
- 6834 - 9SS8MP50XMJ10-Ni-AL
- 6835 - 9SS8MP50XMJ10-Ni-PFA

- 6840 - 9SS12MP75XMJ12-Z-V
- 6841 - 9SS12MP75XMJ12-Z-AL
- 6842 - 9SS12MP75XMJ12-Z-PFA
- 6843 - 9SS12MP75XMJ12-Ni-V
- 6844 - 9SS12MP75XMJ12-Ni-AL
- 6845 - 9SS12MP75XMJ12-Ni-PFA

- 6850 - 9SS16MP100XMJ16-Z-V
- 6851 - 9SS16MP100XMJ16-Z-AL
- 6852 - 9SS16MP100XMJ16-Z-PFA
- 6853 - 9SS16MP100XMJ16-Ni-V
- 6854 - 9SS16MP100XMJ16-Ni-AL
- 6855 - 9SS16MP100XMJ16-Ni-PFA

- 6860 - 9SS20MP125XMJ20-Z-V
- 6861 - 9SS20MP125XMJ20-Z-AL
- 6862 - 9SS20MP125XMJ20-Z-PFA
- 6863 - 9SS20MP125XMJ20-Ni-V
- 6864 - 9SS20MP125XMJ20-Ni-AL
- 6865 - 9SS20MP125XMJ20-Ni-PFA

- 6883 - 9SS24MP150XMJ24-Ni-V
- 6884 - 9SS24MP150XMJ24-Ni-AL
- 6885 - 9SS24MP150XMJ24-Ni-PFA

**90° Male (O.R.B.)
X Male (J.I.C.) Page 32**

- 6970 - 9SS4MO4XMJ4-Z-V
- 6971 - 9SS4MO4XMJ4-Z-AL
- 6972 - 9SS4MO4XMJ4-Z-PFA

ITEM DESCRIPTION

- 6973 - 9SS4MO4XMJ4-Ni-V
- 6974 - 9SS4MO4XMJ4-Ni-AL
- 6975 - 9SS4MO4XMJ4-Ni-PFA

- 6900 - 9SS4MO6XMJ6-Z-V
- 6901 - 9SS4MO6XMJ6-Z-AL
- 6902 - 9SS4MO6XMJ6-Z-PFA
- 6903 - 9SS4MO6XMJ6-Ni-V
- 6904 - 9SS4MO6XMJ6-Ni-AL
- 6905 - 9SS4MO6XMJ6-Ni-PFA

- 6910 - 9SS8MO8XMJ8-Z-V
- 6911 - 9SS8MO8XMJ8-Z-AL
- 6912 - 9SS8MO8XMJ8-Z-PFA
- 6913 - 9SS8MO8XMJ8-Ni-V
- 6914 - 9SS8MO8XMJ8-Ni-AL
- 6915 - 9SS8MO8XMJ8-Ni-PFA

- 6920 - 9SS8MO10XMJ10-Z-V
- 6921 - 9SS8MO10XMJ10-Z-AL
- 6922 - 9SS8MO10XMJ10-Z-PFA
- 6923 - 9SS8MO10XMJ10-Ni-V
- 6924 - 9SS8MO10XMJ10-Ni-AL
- 6925 - 9SS8MO10XMJ10-Ni-PFA

- 6930 - 9SS12MO12XMJ12-Z-V
- 6931 - 9SS12MO12XMJ12-Z-AL
- 6932 - 9SS12MO12XMJ12-Z-PFA
- 6933 - 9SS12MO12XMJ12-Ni-V
- 6934 - 9SS12MO12XMJ12-Ni-AL
- 6935 - 9SS12MO12XMJ12-Ni-PFA

- 6940 - 9SS16MO16XMJ16-Z-V
- 6941 - 9SS16MO16XMJ16-Z-AL
- 6942 - 9SS16MO16XMJ16-Z-PFA
- 6943 - 9SS16MO16XMJ16-Ni-V
- 6944 - 9SS16MO16XMJ16-Ni-AL
- 6945 - 9SS16MO16XMJ16-Ni-PFA

- 6950 - 9SS20MO20XMJ20-Z-V
- 6951 - 9SS20MO20XMJ20-Z-AL
- 6952 - 9SS20MO20XMJ20-Z-PFA
- 6953 - 9SS20MO20XMJ20-Ni-V
- 6954 - 9SS20MO20XMJ20-Ni-AL
- 6955 - 9SS20MO20XMJ20-Ni-PFA

- 6963 - 9SS24MO24XMJ24-Ni-V
- 6964 - 9SS24MO24XMJ24-Ni-AL
- 6965 - 9SS24MO24XMJ24-Ni-PFA

**90° Male (J.I.C.)
X Male (J.I.C.) Page 33**

- 7070 - 9SS4MJ4XMJ4-Z-V
- 7071 - 9SS4MJ4XMJ4-Z-AL
- 7072 - 9SS4MJ4XMJ4-Z-PFA
- 7073 - 9SS4MJ4XMJ4-Ni-V
- 7074 - 9SS4MJ4XMJ4-Ni-AL
- 7075 - 9SS4MJ4XMJ4-Ni-PFA

- 7000 - 9SS4MJ6XMJ6-Z-V
- 7001 - 9SS4MJ6XMJ6-Z-AL
- 7002 - 9SS4MJ6XMJ6-Z-PFA
- 7003 - 9SS4MJ6XMJ6-Ni-V
- 7004 - 9SS4MJ6XMJ6-Ni-AL
- 7005 - 9SS4MJ6XMJ6-Ni-PFA

- 7010 - 9SS8MJ8XMJ8-Z-V
- 7011 - 9SS8MJ8XMJ8-Z-AL
- 7012 - 9SS8MJ8XMJ8-Z-PFA
- 7013 - 9SS8MJ8XMJ8-Ni-V
- 7014 - 9SS8MJ8XMJ8-Ni-AL
- 7015 - 9SS8MJ8XMJ8-Ni-PFA

- 7020 - 9SS8MJ10XMJ10-Z-V
- 7021 - 9SS8MJ10XMJ10-Z-AL
- 7022 - 9SS8MJ10XMJ10-Z-PFA
- 7023 - 9SS8MJ10XMJ10-Ni-V
- 7024 - 9SS8MJ10XMJ10-Ni-AL
- 7025 - 9SS8MJ10XMJ10-Ni-PFA

- 7030 - 9SS12MJ12XMJ12-Z-V
- 7031 - 9SS12MJ12XMJ12-Z-AL
- 7032 - 9SS12MJ12XMJ12-Z-PFA
- 7033 - 9SS12MJ12XMJ12-Ni-V
- 7034 - 9SS12MJ12XMJ12-Ni-AL
- 7035 - 9SS12MJ12XMJ12-Ni-PFA

ITEM DESCRIPTION

7040 - 9SS16MJ16XMXJ16-Z-V
 7041 - 9SS16MJ16XMXJ16-Z-AL
 7042 - 9SS16MJ16XMXJ16-Z-PFA
 7043 - 9SS16MJ16XMXJ16-Ni-V
 7044 - 9SS16MJ16XMXJ16-Ni-AL
 7045 - 9SS16MJ16XMXJ16-Ni-PFA

7050 - 9SS20MJ20XMXJ20-Z-V
 7051 - 9SS20MJ20XMXJ20-Z-AL
 7052 - 9SS20MJ20XMXJ20-Z-PFA
 7053 - 9SS20MJ20XMXJ20-Ni-V
 7054 - 9SS20MJ20XMXJ20-Ni-AL
 7055 - 9SS20MJ20XMXJ20-Ni-PFA

7063 - 9SS24MJ24XMXJ24-Ni-V
 7064 - 9SS24MJ24XMXJ24-Ni-AL
 7065 - 9SS24MJ24XMXJ24-Ni-PFA

90° Female Pipe (N.P.T.F.)
X Male Pipe (N.P.T.F.) Page 34

7100 - 9SS4FP25XMP25-Z-V
 7101 - 9SS4FP25XMP25-Z-AL
 7102 - 9SS4FP25XMP25-Z-PFA
 7103 - 9SS4FP25XMP25-Ni-V
 7104 - 9SS4FP25XMP25-Ni-AL
 7105 - 9SS4FP25XMP25-Ni-PFA

7110 - 9SS8FP38XMP38-Z-V
 7111 - 9SS8FP38XMP38-Z-AL
 7112 - 9SS8FP38XMP38-Z-PFA
 7113 - 9SS8FP38XMP38-Ni-V
 7114 - 9SS8FP38XMP38-Ni-AL
 7115 - 9SS8FP38XMP38-Ni-PFA

7120 - 9SS8FP38XMP50-Z-V
 7121 - 9SS8FP38XMP50-Z-AL
 7122 - 9SS8FP38XMP50-Z-PFA
 7123 - 9SS8FP38XMP50-Ni-V
 7124 - 9SS8FP38XMP50-Ni-AL
 7125 - 9SS8FP38XMP50-Ni-PFA

7130 - 9SS8FP50XMP38-Z-V
 7131 - 9SS8FP50XMP38-Z-AL
 7132 - 9SS8FP50XMP38-Z-PFA
 7133 - 9SS8FP50XMP38-Ni-V
 7134 - 9SS8FP50XMP38-Ni-AL
 7135 - 9SS8FP50XMP38-Ni-PFA

7140 - 9SS8FP50XMP50-Z-V
 7141 - 9SS8FP50XMP50-Z-AL
 7142 - 9SS8FP50XMP50-Z-PFA
 7143 - 9SS8FP50XMP50-Ni-V
 7144 - 9SS8FP50XMP50-Ni-AL
 7145 - 9SS8FP50XMP50-Ni-PFA

7150 - 9SS12FP75XMP75-Z-V
 7151 - 9SS12FP75XMP75-Z-AL
 7152 - 9SS12FP75XMP75-Z-PFA
 7153 - 9SS12FP75XMP75-Ni-V
 7154 - 9SS12FP75XMP75-Ni-AL
 7155 - 9SS12FP75XMP75-Ni-PFA

7160 - 9SS16FP100XMP100-Z-V
 7161 - 9SS16FP100XMP100-Z-AL
 7162 - 9SS16FP100XMP100-Z-PFA
 7163 - 9SS16FP100XMP100-Ni-V
 7164 - 9SS16FP100XMP100-Ni-AL
 7165 - 9SS16FP100XMP100-Ni-PFA

7170 - 9SS20FP125XMP125-Z-V
 7171 - 9SS20FP125XMP125-Z-AL
 7172 - 9SS20FP125XMP125-Z-PFA
 7173 - 9SS20FP125XMP125-Ni-V
 7174 - 9SS20FP125XMP125-Ni-AL
 7175 - 9SS20FP125XMP125-Ni-PFA

7183 - 9SS24FP150XMP150-Ni-V
 7184 - 9SS24FP150XMP150-Ni-AL
 7185 - 9SS24FP150XMP150-Ni-PFA

90° Male Pipe (N.P.T.F.)
X Male Pipe (N.P.T.F.) Page 34

7200 - 9SS4MP25XMP25-Z-V
 7201 - 9SS4MP25XMP25-Z-AL
 7202 - 9SS4MP25XMP25-Z-PFA

ITEM DESCRIPTION

7203 - 9SS4MP25XMP25-Ni-V
 7204 - 9SS4MP25XMP25-Ni-AL
 7205 - 9SS4MP25XMP25-Ni-PFA

7290 - 9SS4MP38XMP38-Z-V
 7291 - 9SS4MP38XMP38-Z-AL
 7292 - 9SS4MP38XMP38-Z-PFA
 7293 - 9SS4MP38XMP38-Ni-V
 7294 - 9SS4MP38XMP38-Ni-AL
 7295 - 9SS4MP38XMP38-Ni-PFA

7210 - 9SS8MP38XMP38-Z-V
 7211 - 9SS8MP38XMP38-Z-AL
 7212 - 9SS8MP38XMP38-Z-PFA
 7213 - 9SS8MP38XMP38-Ni-V
 7214 - 9SS8MP38XMP38-Ni-AL
 7215 - 9SS8MP38XMP38-Ni-PFA

7220 - 9SS8MP38XMP50-Z-V
 7221 - 9SS8MP38XMP50-Z-AL
 7222 - 9SS8MP38XMP50-Z-PFA
 7223 - 9SS8MP38XMP50-Ni-V
 7224 - 9SS8MP38XMP50-Ni-AL
 7225 - 9SS8MP38XMP50-Ni-PFA

7230 - 9SS8MP50XMP38-Z-V
 7231 - 9SS8MP50XMP38-Z-AL
 7232 - 9SS8MP50XMP38-Z-PFA
 7233 - 9SS8MP50XMP38-Ni-V
 7234 - 9SS8MP50XMP38-Ni-AL
 7235 - 9SS8MP50XMP38-Ni-PFA

7240 - 9SS8MP50XMP50-Z-V
 7241 - 9SS8MP50XMP50-Z-AL
 7242 - 9SS8MP50XMP50-Z-PFA
 7243 - 9SS8MP50XMP50-Ni-V
 7244 - 9SS8MP50XMP50-Ni-AL
 7245 - 9SS8MP50XMP50-Ni-PFA

7250 - 9SS12MP75XMP75-Z-V
 7251 - 9SS12MP75XMP75-Z-AL
 7252 - 9SS12MP75XMP75-Z-PFA
 7253 - 9SS12MP75XMP75-Ni-V
 7254 - 9SS12MP75XMP75-Ni-AL
 7255 - 9SS12MP75XMP75-Ni-PFA

7260 - 9SS16MP100XMP100-Z-V
 7261 - 9SS16MP100XMP100-Z-AL
 7262 - 9SS16MP100XMP100-Z-PFA
 7263 - 9SS16MP100XMP100-Ni-V
 7264 - 9SS16MP100XMP100-Ni-AL
 7265 - 9SS16MP100XMP100-Ni-PFA

7270 - 9SS20MP125XMP125-Z-V
 7271 - 9SS20MP125XMP125-Z-AL
 7272 - 9SS20MP125XMP125-Z-PFA
 7273 - 9SS20MP125XMP125-Ni-V
 7274 - 9SS20MP125XMP125-Ni-AL
 7275 - 9SS20MP125XMP125-Ni-PFA

7283 - 9SS24MP150XMP150-Ni-V
 7284 - 9SS24MP150XMP150-Ni-AL
 7285 - 9SS24MP150XMP150-Ni-PFA

90° Male (O.R.B.)
X Male Pipe (N.P.T.F.) Page 35

21034 - 9SS4MO4XMP25-Z-V

7300 - 9SS4MO6XMP25-Z-V
 7301 - 9SS4MO6XMP25-Z-AL
 7302 - 9SS4MO6XMP25-Z-PFA
 7303 - 9SS4MO6XMP25-Ni-V
 7304 - 9SS4MO6XMP25-Ni-AL
 7305 - 9SS4MO6XMP25-Ni-PFA

7390 - 9SS4MO6XMP38-Z-V
 7391 - 9SS4MO6XMP38-Z-AL
 7392 - 9SS4MO6XMP38-Z-PFA
 7393 - 9SS4MO6XMP38-Ni-V
 7394 - 9SS4MO6XMP38-Ni-AL
 7395 - 9SS4MO6XMP38-Ni-PFA

7310 - 9SS8MO8XMP38-Z-V
 7311 - 9SS8MO8XMP38-Z-AL
 7312 - 9SS8MO8XMP38-Z-PFA

ITEM DESCRIPTION

7313 - 9SS8MO8XMP38-Ni-V
 7314 - 9SS8MO8XMP38-Ni-AL
 7315 - 9SS8MO8XMP38-Ni-PFA

7320 - 9SS8MO8XMP50-Z-V
 7321 - 9SS8MO8XMP50-Z-AL
 7322 - 9SS8MO8XMP50-Z-PFA
 7323 - 9SS8MO8XMP50-Ni-V
 7324 - 9SS8MO8XMP50-Ni-AL
 7325 - 9SS8MO8XMP50-Ni-PFA

7330 - 9SS8MO10XMP38-Z-V
 7331 - 9SS8MO10XMP38-Z-AL
 7332 - 9SS8MO10XMP38-Z-PFA
 7333 - 9SS8MO10XMP38-Ni-V
 7334 - 9SS8MO10XMP38-Ni-AL
 7335 - 9SS8MO10XMP38-Ni-PFA

7340 - 9SS8MO10XMP50-Z-V
 7341 - 9SS8MO10XMP50-Z-AL
 7342 - 9SS8MO10XMP50-Z-PFA
 7343 - 9SS8MO10XMP50-Ni-V
 7344 - 9SS8MO10XMP50-Ni-AL
 7345 - 9SS8MO10XMP50-Ni-PFA

7350 - 9SS12MO12XMP75-Z-V
 7351 - 9SS12MO12XMP75-Z-AL
 7352 - 9SS12MO12XMP75-Z-PFA
 7353 - 9SS12MO12XMP75-Ni-V
 7354 - 9SS12MO12XMP75-Ni-AL
 7355 - 9SS12MO12XMP75-Ni-
 PFA

7360 - 9SS16MO16XMP100-Z-V
 7361 - 9SS16MO16XMP100-Z-AL
 7362 - 9SS16MO16XMP100-Z-PFA
 7363 - 9SS16MO16XMP100-Ni-V
 7364 - 9SS16MO16XMP100-Ni-AL
 7365 - 9SS16MO16XMP100-Ni-PFA

7370 - 9SS20MO20XMP125-Z-V
 7371 - 9SS20MO20XMP125-Z-AL
 7372 - 9SS20MO20XMP125-Z-PFA
 7373 - 9SS20MO20XMP125-Ni-V
 7374 - 9SS20MO20XMP125-Ni-AL
 7375 - 9SS20MO20XMP125-Ni-PFA

7383 - 9SS24MO24XMP150-Ni-V
 7384 - 9SS24MO24XMP150-Ni-AL
 7385 - 9SS24MO24XMP150-Ni-PFA

90° Male (J.I.C.)
X Male Pipe (N.P.T.F.) Page 35

21057 - 9SS4MJ4XMP25-Z-V

7400 - 9SS4MJ6XMP25-Z-V
 7401 - 9SS4MJ6XMP25-Z-AL
 7402 - 9SS4MJ6XMP25-Z-PFA
 7403 - 9SS4MJ6XMP25-Ni-V
 7404 - 9SS4MJ6XMP25-Ni-AL
 7405 - 9SS4MJ6XMP25-Ni-PFA

7490 - 9SS4MJ6XMP38-Z-V
 7491 - 9SS4MJ6XMP38-Z-AL
 7492 - 9SS4MJ6XMP38-Z-PFA
 7493 - 9SS4MJ6XMP38-Ni-V
 7494 - 9SS4MJ6XMP38-Ni-AL
 7495 - 9SS4MJ6XMP38-Ni-PFA

7410 - 9SS8MJ8XMP38-Z-V
 7411 - 9SS8MJ8XMP38-Z-AL
 7412 - 9SS8MJ8XMP38-Z-PFA
 7413 - 9SS8MJ8XMP38-Ni-V
 7414 - 9SS8MJ8XMP38-Ni-AL
 7415 - 9SS8MJ8XMP38-Ni-PFA

7420 - 9SS8MJ8XMP50-Z-V
 7421 - 9SS8MJ8XMP50-Z-AL
 7422 - 9SS8MJ8XMP50-Z-PFA
 7423 - 9SS8MJ8XMP50-Ni-V
 7424 - 9SS8MJ8XMP50-Ni-AL
 7425 - 9SS8MJ8XMP50-Ni-PFA

7430 - 9SS8MJ10XMP38-Z-V
 7431 - 9SS8MJ10XMP38-Z-AL
 7432 - 9SS8MJ10XMP38-Z-PFA

ITEM DESCRIPTION

7433 - 9SS8MJ10XMP38-Ni-V
 7434 - 9SS8MJ10XMP38-Ni-AL
 7435 - 9SS8MJ10XMP38-Ni-PFA

7440 - 9SS8MJ10XMP50-Z-V
 7441 - 9SS8MJ10XMP50-Z-AL
 7442 - 9SS8MJ10XMP50-Z-PFA
 7443 - 9SS8MJ10XMP50-Ni-V
 7444 - 9SS8MJ10XMP50-Ni-AL
 7445 - 9SS8MJ10XMP50-Ni-PFA

7450 - 9SS12MJ12XMP75-Z-V
 7451 - 9SS12MJ12XMP75-Z-AL
 7452 - 9SS12MJ12XMP75-Z-PFA
 7453 - 9SS12MJ12XMP75-Ni-V
 7454 - 9SS12MJ12XMP75-Ni-AL
 7455 - 9SS12MJ12XMP75-Ni-PFA

7460 - 9SS16MJ16XMP100-Z-V
 7461 - 9SS16MJ16XMP100-Z-AL
 7462 - 9SS16MJ16XMP100-Z-PFA
 7463 - 9SS16MJ16XMP100-Ni-V
 7464 - 9SS16MJ16XMP100-Ni-AL
 7465 - 9SS16MJ16XMP100-Ni-PFA

7470 - 9SS20MJ20XMP125-Z-V
 7471 - 9SS20MJ20XMP125-Z-AL
 7472 - 9SS20MJ20XMP125-Z-PFA
 7473 - 9SS20MJ20XMP125-Ni-V
 7474 - 9SS20MJ20XMP125-Ni-AL
 7475 - 9SS20MJ20XMP125-Ni-PFA

7483 - 9SS24MJ24XMP150-Ni-V
 7484 - 9SS24MJ24XMP150-Ni-AL
 7485 - 9SS24MJ24XMP150-Ni-PFA

90° Male Bulkhead (J.I.C.)
X Male Pipe (N.P.T.F.) Page 36

7500 - 9SS8MJB8XMP38-Z-V
 7501 - 9SS8MJB8XMP38-Z-AL
 7502 - 9SS8MJB8XMP38-Z-PFA
 7503 - 9SS8MJB8XMP38-Ni-V
 7504 - 9SS8MJB8XMP38-Ni-AL
 7505 - 9SS8MJB8XMP38-Ni-PFA

7510 - 9SS8MJB8XMP50-Z-V
 7511 - 9SS8MJB8XMP50-Z-AL
 7512 - 9SS8MJB8XMP50-Z-PFA
 7513 - 9SS8MJB8XMP50-Ni-V
 7514 - 9SS8MJB8XMP50-Ni-AL
 7515 - 9SS8MJB8XMP50-Ni-PFA

7520 - 9SS8MJB10XMP50-Z-V
 7521 - 9SS8MJB10XMP50-Z-AL
 7522 - 9SS8MJB10XMP50-Z-PFA
 7523 - 9SS8MJB10XMP50-Ni-V
 7524 - 9SS8MJB10XMP50-Ni-AL
 7525 - 9SS8MJB10XMP50-Ni-PFA

7530 - 9SS12MJB12XMP75-Z-V
 7531 - 9SS12MJB12XMP75-Z-AL
 7532 - 9SS12MJB12XMP75-Z-PFA
 7533 - 9SS12MJB12XMP75-Ni-V
 7534 - 9SS12MJB12XMP75-Ni-AL
 7535 - 9SS12MJB12XMP75-Ni-PFA

7540 - 9SS16MJB16XMP100-Z-V
 7541 - 9SS16MJB16XMP100-Z-AL
 7542 - 9SS16MJB16XMP100-Z-PFA
 7543 - 9SS16MJB16XMP100-Ni-V
 7544 - 9SS16MJB16XMP100-Ni-AL
 7545 - 9SS16MJB16XMP100-Ni-PFA

7550 - 9SS20MJB20XMP125-Z-V
 7551 - 9SS20MJB20XMP125-Z-AL
 7552 - 9SS20MJB20XMP125-Z-PFA
 7553 - 9SS20MJB20XMP125-Ni-V
 7554 - 9SS20MJB20XMP125-Ni-AL
 7555 - 9SS20MJB20XMP125-Ni-PFA

90° Male Face Seal (M.F.S.)
X Male Face Seal (M.F.S.) Page 39

7600 - 9SS4MFS6XMF6-Z-V
 7601 - 9SS4MFS6XMF6-Z-AL

ITEM DESCRIPTION

7602 - 9SS4MFS6XMF56-Z-PFA
7603 - 9SS4MFS6XMF56-NI-V
7604 - 9SS4MFS6XMF56-NI-AL
7605 - 9SS4MFS6XMF56-NI-PFA

7610 - 9SS8MFS8XMF58-Z-V
7611 - 9SS8MFS8XMF58-Z-AL
7612 - 9SS8MFS8XMF58-Z-PFA
7613 - 9SS8MFS8XMF58-NI-V
7614 - 9SS8MFS8XMF58-NI-AL
7615 - 9SS8MFS8XMF58-NI-PFA

7620 - 9SS8MFS10XMF10-Z-V
7621 - 9SS8MFS10XMF10-Z-AL
7622 - 9SS8MFS10XMF10-Z-PFA
7623 - 9SS8MFS10XMF10-NI-V
7624 - 9SS8MFS10XMF10-NI-AL
7625 - 9SS8MFS10XMF10-NI-PFA

7630 - 9SS12MFS12XMF12-Z-V
7631 - 9SS12MFS12XMF12-Z-AL
7632 - 9SS12MFS12XMF12-Z-PFA
7633 - 9SS12MFS12XMF12-NI-V
7634 - 9SS12MFS12XMF12-NI-AL
7635 - 9SS12MFS12XMF12-NI-PFA

7640 - 9SS16MFS16XMF16-Z-V
7641 - 9SS16MFS16XMF16-Z-AL
7642 - 9SS16MFS16XMF16-Z-PFA
7643 - 9SS16MFS16XMF16-NI-V
7644 - 9SS16MFS16XMF16-NI-AL
7645 - 9SS16MFS16XMF16-NI-PFA

7650 - 9SS20MFS20XMF20-Z-V
7651 - 9SS20MFS20XMF20-Z-AL
7652 - 9SS20MFS20XMF20-Z-PFA
7653 - 9SS20MFS20XMF20-NI-V
7654 - 9SS20MFS20XMF20-NI-AL
7655 - 9SS20MFS20XMF20-NI-PFA

7663 - 9SS24MFS24XMF24-NI-V
7664 - 9SS24MFS24XMF24-NI-AL
7665 - 9SS24MFS24XMF24-NI-PFA

90° Female Face Seal (F.F.S.)
X Male Face Seal (M.F.S.) Page 40

7700 - 9SS4FFS6XMF56-Z-V
7701 - 9SS4FFS6XMF56-Z-AL
7702 - 9SS4FFS6XMF56-Z-PFA
7703 - 9SS4FFS6XMF56-NI-V
7704 - 9SS4FFS6XMF56-NI-AL
7705 - 9SS4FFS6XMF56-NI-PFA

7710 - 9SS8FFS8XMF58-Z-V
7711 - 9SS8FFS8XMF58-Z-AL
7712 - 9SS8FFS8XMF58-Z-PFA
7713 - 9SS8FFS8XMF58-NI-V
7714 - 9SS8FFS8XMF58-NI-AL
7715 - 9SS8FFS8XMF58-NI-PFA

7720 - 9SS8FFS10XMF10-Z-V
7721 - 9SS8FFS10XMF10-Z-AL
7722 - 9SS8FFS10XMF10-Z-PFA
7723 - 9SS8FFS10XMF10-NI-V
7724 - 9SS8FFS10XMF10-NI-AL
7725 - 9SS8FFS10XMF10-NI-PFA

7730 - 9SS12FFS12XMF12-Z-V
7731 - 9SS12FFS12XMF12-Z-AL
7732 - 9SS12FFS12XMF12-Z-PFA
7733 - 9SS12FFS12XMF12-NI-V
7734 - 9SS12FFS12XMF12-NI-AL
7735 - 9SS12FFS12XMF12-NI-PFA

7740 - 9SS16FFS16XMF16-Z-V
7741 - 9SS16FFS16XMF16-Z-AL
7742 - 9SS16FFS16XMF16-Z-PFA
7743 - 9SS16FFS16XMF16-NI-V
7744 - 9SS16FFS16XMF16-NI-AL
7745 - 9SS16FFS16XMF16-NI-PFA

7750 - 9SS20FFS20XMF20-Z-V
7751 - 9SS20FFS20XMF20-Z-AL
7752 - 9SS20FFS20XMF20-Z-PFA
7753 - 9SS20FFS20XMF20-NI-V

ITEM DESCRIPTION

7754 - 9SS20FFS20XMF20-NI-AL
7755 - 9SS20FFS20XMF20-NI-PFA

7763 - 9SS24FFS24XMF24-NI-V
7764 - 9SS24FFS24XMF24-NI-AL
7765 - 9SS24FFS24XMF24-NI-PFA

90° Male Face Seal Bulkhead (M.F.S.B.)
X Male Face Seal (M.F.S.) Page 40

7800 - 9SS4MFSB6XMF56-Z-V
7801 - 9SS4MFSB6XMF56-Z-AL
7802 - 9SS4MFSB6XMF56-Z-PFA
7803 - 9SS4MFSB6XMF56-NI-V
7804 - 9SS4MFSB6XMF56-NI-AL
7805 - 9SS4MFSB6XMF56-NI-PFA

7810 - 9SS8MFSB8XMF58-Z-V
7811 - 9SS8MFSB8XMF58-Z-AL
7812 - 9SS8MFSB8XMF58-Z-PFA
7813 - 9SS8MFSB8XMF58-NI-V
7814 - 9SS8MFSB8XMF58-NI-AL
7815 - 9SS8MFSB8XMF58-NI-PFA

7820 - 9SS8MFSB10XMF10-Z-V
7821 - 9SS8MFSB10XMF10-Z-AL
7822 - 9SS8MFSB10XMF10-Z-PFA
7823 - 9SS8MFSB10XMF10-NI-V
7824 - 9SS8MFSB10XMF10-NI-AL
7825 - 9SS8MFSB10XMF10-NI-PFA

7830 - 9SS12MFSB12XMF12-Z-V
7831 - 9SS12MFSB12XMF12-Z-AL
7832 - 9SS12MFSB12XMF12-Z-PFA
7833 - 9SS12MFSB12XMF12-NI-V
7834 - 9SS12MFSB12XMF12-NI-AL
7835 - 9SS12MFSB12XMF12-NI-PFA

7840 - 9SS16MFSB16XMF16-Z-V
7841 - 9SS16MFSB16XMF16-Z-AL
7842 - 9SS16MFSB16XMF16-Z-PFA
7843 - 9SS16MFSB16XMF16-NI-V
7844 - 9SS16MFSB16XMF16-NI-AL
7845 - 9SS16MFSB16XMF16-NI-PFA

7850 - 9SS20MFSB20XMF20-Z-V
7851 - 9SS20MFSB20XMF20-Z-AL
7852 - 9SS20MFSB20XMF20-Z-PFA
7853 - 9SS20MFSB20XMF20-NI-V
7854 - 9SS20MFSB20XMF20-NI-AL
7855 - 9SS20MFSB20XMF20-NI-PFA

90° Male Bulkhead (J.I.C.)
X Male (J.I.C.) Page 33

8010 - 9SS8MJB8XMJ8-Z-V
8011 - 9SS8MJB8XMJ8-Z-AL
8012 - 9SS8MJB8XMJ8-Z-PFA
8013 - 9SS8MJB8XMJ8-NI-V
8014 - 9SS8MJB8XMJ8-NI-AL
8015 - 9SS8MJB8XMJ8-NI-PFA

8020 - 9SS8MJB10XMJ10-Z-V
8021 - 9SS8MJB10XMJ10-Z-AL
8022 - 9SS8MJB10XMJ10-Z-PFA
8023 - 9SS8MJB10XMJ10-NI-V
8024 - 9SS8MJB10XMJ10-NI-AL
8025 - 9SS8MJB10XMJ10-NI-PFA

8030 - 9SS12MJB12XMJ12-Z-V
8031 - 9SS12MJB12XMJ12-Z-AL
8032 - 9SS12MJB12XMJ12-Z-PFA
8033 - 9SS12MJB12XMJ12-NI-V
8034 - 9SS12MJB12XMJ12-NI-AL
8035 - 9SS12MJB12XMJ12-NI-PFA

8040 - 9SS16MJB16XMJ16-Z-V
8041 - 9SS16MJB16XMJ16-Z-AL
8042 - 9SS16MJB16XMJ16-Z-PFA
8043 - 9SS16MJB16XMJ16-NI-V
8044 - 9SS16MJB16XMJ16-NI-AL
8045 - 9SS16MJB16XMJ16-NI-PFA

8050 - 9SS20MJB20XMJ20-Z-V
8051 - 9SS20MJB20XMJ20-Z-AL
8052 - 9SS20MJB20XMJ20-Z-PFA
8053 - 9SS20MJB20XMJ20-NI-V

ITEM DESCRIPTION

8054 - 9SS20MJB20XMJ20-Ni-AL
8055 - 9SS20MJB20XMJ20-Ni-PFA

90° Male (J.I.C.)
X Male Face Seal (M.F.S.) Page 38

21036 - 9SS4MJ4XMF54-Z-V
8200 - 9SS4MJ6XMF56-Z-V
8201 - 9SS4MJ6XMF56-Z-AL
8202 - 9SS4MJ6XMF56-Z-PFA
8203 - 9SS4MJ6XMF56-Ni-V
8204 - 9SS4MJ6XMF56-Ni-AL
8205 - 9SS4MJ6XMF56-Ni-PFA

8210 - 9SS8MJ8XMF56-Z-V
8211 - 9SS8MJ8XMF56-Z-AL
8212 - 9SS8MJ8XMF56-Z-PFA
8213 - 9SS8MJ8XMF56-Ni-V
8214 - 9SS8MJ8XMF56-Ni-AL
8215 - 9SS8MJ8XMF56-Ni-PFA

8220 - 9SS8MJ8XMF58-Z-V
8221 - 9SS8MJ8XMF58-Z-AL
8222 - 9SS8MJ8XMF58-Z-PFA
8223 - 9SS8MJ8XMF58-Ni-V
8224 - 9SS8MJ8XMF58-Ni-AL
8225 - 9SS8MJ8XMF58-Ni-PFA

8230 - 9SS8MJ8XMF10-Z-V
8231 - 9SS8MJ8XMF10-Z-AL
8232 - 9SS8MJ8XMF10-Z-PFA
8233 - 9SS8MJ8XMF10-Ni-V
8234 - 9SS8MJ8XMF10-Ni-AL
8235 - 9SS8MJ8XMF10-Ni-PFA

8240 - 9SS8MJ10XMF58-Z-V
8241 - 9SS8MJ10XMF58-Z-AL
8242 - 9SS8MJ10XMF58-Z-PFA
8243 - 9SS8MJ10XMF58-Ni-V
8244 - 9SS8MJ10XMF58-Ni-AL
8245 - 9SS8MJ10XMF58-Ni-PFA

8250 - 9SS8MJ10XMF10-Z-V
8251 - 9SS8MJ10XMF10-Z-AL
8252 - 9SS8MJ10XMF10-Z-PFA
8253 - 9SS8MJ10XMF10-Ni-V
8254 - 9SS8MJ10XMF10-Ni-AL
8255 - 9SS8MJ10XMF10-Ni-PFA

8260 - 9SS12MJ12XMF12-Z-V
8261 - 9SS12MJ12XMF12-Z-AL
8262 - 9SS12MJ12XMF12-Z-PFA
8263 - 9SS12MJ12XMF12-Ni-V
8264 - 9SS12MJ12XMF12-Ni-AL
8265 - 9SS12MJ12XMF12-Ni-PFA

8270 - 9SS16MJ16XMF16-Z-V
8271 - 9SS16MJ16XMF16-Z-AL
8272 - 9SS16MJ16XMF16-Z-PFA
8273 - 9SS16MJ16XMF16-Ni-V
8274 - 9SS16MJ16XMF16-Ni-AL
8275 - 9SS16MJ16XMF16-Ni-PFA

8280 - 9SS20MJ20XMF20-Z-V
8281 - 9SS20MJ20XMF20-Z-AL
8282 - 9SS20MJ20XMF20-Z-PFA
8283 - 9SS20MJ20XMF20-Ni-V
8284 - 9SS20MJ20XMF20-Ni-AL
8285 - 9SS20MJ20XMF20-Ni-PFA

8293 - 9SS24MJ24XMF24-Ni-V
8294 - 9SS24MJ24XMF24-Ni-AL
8295 - 9SS24MJ24XMF24-Ni-PFA

90° Male Bulkhead (J.I.C.)
X Male Face Seal (M.F.S.) Page 38

8300 - 9SS8MJB8XMF56-Z-V
8301 - 9SS8MJB8XMF56-Z-AL
8302 - 9SS8MJB8XMF56-Z-PFA
8303 - 9SS8MJB8XMF56-Ni-V
8304 - 9SS8MJB8XMF56-Ni-AL
8305 - 9SS8MJB8XMF56-Ni-PFA

8310 - 9SS8MJB8XMF58-Z-V
8311 - 9SS8MJB8XMF58-Z-AL
8312 - 9SS8MJB8XMF58-Z-PFA

ITEM DESCRIPTION

8313 - 9SS8MJB8XMF58-Ni-V
8314 - 9SS8MJB8XMF58-Ni-AL
8315 - 9SS8MJB8XMF58-Ni-PFA

8320 - 9SS8MJB8XMF10-Z-V
8321 - 9SS8MJB8XMF10-Z-AL
8322 - 9SS8MJB8XMF10-Z-PFA

8323 - 9SS8MJB8XMF10-Ni-V
8324 - 9SS8MJB8XMF10-Ni-AL
8325 - 9SS8MJB8XMF10-Ni-PFA

8330 - 9SS8MJB10XMF56-Z-V
8331 - 9SS8MJB10XMF56-Z-AL
8332 - 9SS8MJB10XMF56-Z-PFA
8333 - 9SS8MJB10XMF56-Ni-V
8334 - 9SS8MJB10XMF56-Ni-AL
8335 - 9SS8MJB10XMF56-Ni-PFA

8340 - 9SS8MJB10XMF58-Z-V
8341 - 9SS8MJB10XMF58-Z-AL
8342 - 9SS8MJB10XMF58-Z-PFA
8343 - 9SS8MJB10XMF58-Ni-V
8344 - 9SS8MJB10XMF58-Ni-AL
8345 - 9SS8MJB10XMF58-Ni-PFA

8350 - 9SS8MJB10XMF10-Z-V
8351 - 9SS8MJB10XMF10-Z-AL
8352 - 9SS8MJB10XMF10-Z-PFA
8353 - 9SS8MJB10XMF10-Ni-V
8354 - 9SS8MJB10XMF10-Ni-AL
8355 - 9SS8MJB10XMF10-Ni-PFA

8360 - 9SS12MJB12XMF12-Z-V
8361 - 9SS12MJB12XMF12-Z-AL
8362 - 9SS12MJB12XMF12-Z-PFA
8363 - 9SS12MJB12XMF12-Ni-V
8364 - 9SS12MJB12XMF12-Ni-AL
8365 - 9SS12MJB12XMF12-Ni-PFA

8370 - 9SS16MJB16XMF16-Z-V
8371 - 9SS16MJB16XMF16-Z-AL
8372 - 9SS16MJB16XMF16-Z-PFA
8373 - 9SS16MJB16XMF16-Ni-V
8374 - 9SS16MJB16XMF16-Ni-AL
8375 - 9SS16MJB16XMF16-Ni-PFA

8380 - 9SS20MJB20XMF20-Z-V
8381 - 9SS20MJB20XMF20-Z-AL
8382 - 9SS20MJB20XMF20-Z-PFA
8383 - 9SS20MJB20XMF20-Ni-V
8384 - 9SS20MJB20XMF20-Ni-AL
8385 - 9SS20MJB20XMF20-Ni-PFA

90° Female Pipe (N.P.T.)
X Male Face Seal (M.F.S.) Page 37

8400 - 9SS4FP25XMF56-Z-V
8401 - 9SS4FP25XMF56-Z-AL
8402 - 9SS4FP25XMF56-Z-PFA
8403 - 9SS4FP25XMF56-Ni-V
8404 - 9SS4FP25XMF56-Ni-AL
8405 - 9SS4FP25XMF56-Ni-PFA

8410 - 9SS8FP38XMF56-Z-V
8411 - 9SS8FP38XMF56-Z-AL
8412 - 9SS8FP38XMF56-Z-PFA
8413 - 9SS8FP38XMF56-Ni-V
8414 - 9SS8FP38XMF56-Ni-AL
8415 - 9SS8FP38XMF56-Ni-PFA

8420 - 9SS8FP38XMF58-Z-V
8421 - 9SS8FP38XMF58-Z-AL
8422 - 9SS8FP38XMF58-Z-PFA
8423 - 9SS8FP38XMF58-Ni-V
8424 - 9SS8FP38XMF58-Ni-AL
8425 - 9SS8FP38XMF58-Ni-PFA

8430 - 9SS8FP50XMF58-Z-V
8431 - 9SS8FP50XMF58-Z-AL
8432 - 9SS8FP50XMF58-Z-PFA
8433 - 9SS8FP50XMF58-Ni-V
8434 - 9SS8FP50XMF58-Ni-AL
8435 - 9SS8FP50XMF58-Ni-PFA

ITEM DESCRIPTION

8440 - 9SS8FP50XMFS10-Z-V
 8441 - 9SS8FP50XMFS10-Z-AL
 8442 - 9SS8FP50XMFS10-Z-PFA
 8443 - 9SS8FP50XMFS10-Ni-V
 8444 - 9SS8FP50XMFS10-Ni-AL
 8445 - 9SS8FP50XMFS10-Ni-PFA

8450 - 9SS12FP75XMFS12-Z-V
 8451 - 9SS12FP75XMFS12-Z-AL
 8452 - 9SS12FP75XMFS12-Z-PFA
 8453 - 9SS12FP75XMFS12-Ni-V
 8454 - 9SS12FP75XMFS12-Ni-AL
 8455 - 9SS12FP75XMFS12-Ni-PFA

8460 - 9SS16FP100XMFS16-Z-V
 8461 - 9SS16FP100XMFS16-Z-AL
 8462 - 9SS16FP100XMFS16-Z-PFA
 8463 - 9SS16FP100XMFS16-Ni-V
 8464 - 9SS16FP100XMFS16-Ni-AL
 8465 - 9SS16FP100XMFS16-Ni-PFA

8470 - 9SS20FP125XMFS20-Z-V
 8471 - 9SS20FP125XMFS20-Z-AL
 8472 - 9SS20FP125XMFS20-Z-PFA
 8473 - 9SS20FP125XMFS20-Ni-V
 8474 - 9SS20FP125XMFS20-Ni-AL
 8475 - 9SS20FP125XMFS20-Ni-PFA

8483 - 9SS24FP150XMFS24-Ni-V
 8484 - 9SS24FP150XMFS24-Ni-AL
 8485 - 9SS24FP150XMFS24-Ni-PFA

90° Male Pipe (N.P.T.F.) X Male Face Seal (M.F.S.) Page 37

8500 - 9SS4MP25XMFS6-Z-V
 8501 - 9SS4MP25XMFS6-Z-AL
 8502 - 9SS4MP25XMFS6-Z-PFA
 8503 - 9SS4MP25XMFS6-Ni-V
 8504 - 9SS4MP25XMFS6-Ni-AL
 8505 - 9SS4MP25XMFS6-Ni-PFA

8510 - 9SS4MP38XMFS6-Z-V
 8511 - 9SS4MP38XMFS6-Z-AL
 8512 - 9SS4MP38XMFS6-Z-PFA
 8513 - 9SS4MP38XMFS6-Ni-V
 8514 - 9SS4MP38XMFS6-Ni-AL
 8515 - 9SS4MP38XMFS6-Ni-PFA

8520 - 9SS8MP38XMFS6-Z-V
 8521 - 9SS8MP38XMFS6-Z-AL
 8522 - 9SS8MP38XMFS6-Z-PFA
 8523 - 9SS8MP38XMFS6-Ni-V
 8524 - 9SS8MP38XMFS6-Ni-AL
 8525 - 9SS8MP38XMFS6-Ni-PFA

8530 - 9SS8MP38XMFS8-Z-V
 8531 - 9SS8MP38XMFS8-Z-AL
 8532 - 9SS8MP38XMFS8-Z-PFA
 8533 - 9SS8MP38XMFS8-Ni-V
 8534 - 9SS8MP38XMFS8-Ni-AL
 8535 - 9SS8MP38XMFS8-Ni-PFA

8540 - 9SS8MP50XMFS8-Z-V
 8541 - 9SS8MP50XMFS8-Z-AL
 8542 - 9SS8MP50XMFS8-Z-PFA
 8543 - 9SS8MP50XMFS8-Ni-V
 8544 - 9SS8MP50XMFS8-Ni-AL
 8545 - 9SS8MP50XMFS8-Ni-PFA

8550 - 9SS8MP50XMFS10-Z-V
 8551 - 9SS8MP50XMFS10-Z-AL
 8552 - 9SS8MP50XMFS10-Z-PFA
 8553 - 9SS8MP50XMFS10-Ni-V
 8554 - 9SS8MP50XMFS10-Ni-AL
 8555 - 9SS8MP50XMFS10-Ni-PFA

8560 - 9SS12MP75XMFS12-Z-V
 8561 - 9SS12MP75XMFS12-Z-AL
 8562 - 9SS12MP75XMFS12-Z-PFA
 8563 - 9SS12MP75XMFS12-Ni-V
 8564 - 9SS12MP75XMFS12-Ni-AL
 8565 - 9SS12MP75XMFS12-Ni-PFA

ITEM DESCRIPTION

8570 - 9SS16MP100XMFS16-Z-V
 8571 - 9SS16MP100XMFS16-Z-AL
 8572 - 9SS16MP100XMFS16-Z-PFA
 8573 - 9SS16MP100XMFS16-Ni-V
 8574 - 9SS16MP100XMFS16-Ni-AL
 8575 - 9SS16MP100XMFS16-Ni-PFA

8580 - 9SS20MP125XMFS20-Z-V
 8581 - 9SS20MP125XMFS20-Z-AL
 8582 - 9SS20MP125XMFS20-Z-PFA
 8583 - 9SS20MP125XMFS20-Ni-V
 8584 - 9SS20MP125XMFS20-Ni-AL
 8585 - 9SS20MP125XMFS20-Ni-PFA

8593 - 9SS24MP150XMFS24-Ni-V
 8594 - 9SS24MP150XMFS24-Ni-AL
 8595 - 9SS24MP150XMFS24-Ni-PFA

90° Male (O.R.B.) X Male Face Seal (M.F.S.) Page 39

21037 - 9SS4MO4XMFS4-Z-V

8600 - 9SS4MO6XMFS6-Z-V
 8601 - 9SS4MO6XMFS6-Z-AL
 8602 - 9SS4MO6XMFS6-Z-PFA
 8603 - 9SS4MO6XMFS6-Ni-V
 8604 - 9SS4MO6XMFS6-Ni-AL
 8605 - 9SS4MO6XMFS6-Ni-PFA

8610 - 9SS8MO8XMFS6-Z-V
 8611 - 9SS8MO8XMFS6-Z-AL
 8612 - 9SS8MO8XMFS6-Z-PFA
 8613 - 9SS8MO8XMFS6-Ni-V
 8614 - 9SS8MO8XMFS6-Ni-AL
 8615 - 9SS8MO8XMFS6-Ni-PFA

8620 - 9SS8MO8XMFS8-Z-V
 8621 - 9SS8MO8XMFS8-Z-AL
 8622 - 9SS8MO8XMFS8-Z-PFA
 8623 - 9SS8MO8XMFS8-Ni-V
 8624 - 9SS8MO8XMFS8-Ni-AL
 8625 - 9SS8MO8XMFS8-Ni-PFA

8630 - 9SS8MO8XMFS10-Z-V
 8631 - 9SS8MO8XMFS10-Z-AL
 8632 - 9SS8MO8XMFS10-Z-PFA
 8633 - 9SS8MO8XMFS10-Ni-V
 8634 - 9SS8MO8XMFS10-Ni-AL
 8635 - 9SS8MO8XMFS10-Ni-PFA

8640 - 9SS8MO10XMFS8-Z-V
 8641 - 9SS8MO10XMFS8-Z-AL
 8642 - 9SS8MO10XMFS8-Z-PFA
 8643 - 9SS8MO10XMFS8-Ni-V
 8644 - 9SS8MO10XMFS8-Ni-AL
 8645 - 9SS8MO10XMFS8-Ni-PFA

8650 - 9SS8MO10XMFS10-Z-V
 8651 - 9SS8MO10XMFS10-Z-AL
 8652 - 9SS8MO10XMFS10-Z-PFA
 8653 - 9SS8MO10XMFS10-Ni-V
 8654 - 9SS8MO10XMFS10-Ni-AL
 8655 - 9SS8MO10XMFS10-Ni-PFA

8660 - 9SS12MO12XMFS12-Z-V
 8661 - 9SS12MO12XMFS12-Z-AL
 8662 - 9SS12MO12XMFS12-Z-PFA
 8663 - 9SS12MO12XMFS12-Ni-V
 8664 - 9SS12MO12XMFS12-Ni-AL
 8665 - 9SS12MO12XMFS12-Ni-PFA

8670 - 9SS16MO16XMFS16-Z-V
 8671 - 9SS16MO16XMFS16-Z-AL
 8672 - 9SS16MO16XMFS16-Z-PFA
 8673 - 9SS16MO16XMFS16-Ni-V
 8674 - 9SS16MO16XMFS16-Ni-AL
 8675 - 9SS16MO16XMFS16-Ni-PFA

8680 - 9SS20MO20XMFS20-Z-V
 8681 - 9SS20MO20XMFS20-Z-AL
 8682 - 9SS20MO20XMFS20-Z-PFA
 8683 - 9SS20MO20XMFS20-Ni-V
 8684 - 9SS20MO20XMFS20-Ni-AL
 8685 - 9SS20MO20XMFS20-Ni-PFA

ITEM DESCRIPTION

8693 - 9SS24MO24XMFS24-Ni-V
 8694 - 9SS24MO24XMFS24-Ni-AL
 8695 - 9SS24MO24XMFS24-Ni-PFA

90° FEMALE PIPE (N.P.T.F.) X FEMALE (J.I.C.) SWIVEL NUT Page 41

8100 - 9SS4FP25XFJS4-Z-V
 8101 - 9SS4FP25XFJS4-Z-AL
 8102 - 9SS4FP25XFJS4-Z-PFA
 8103 - 9SS4FP25XFJS4-Ni-V
 8104 - 9SS4FP25XFJS4-Ni-AL
 8105 - 9SS4FP25XFJS4-Ni-PFA

8110 - 9SS4FP25XFJS6-Z-V
 8111 - 9SS4FP25XFJS6-Z-AL
 8112 - 9SS4FP25XFJS6-Z-PFA
 8113 - 9SS4FP25XFJS6-Ni-V
 8114 - 9SS4FP25XFJS6-Ni-AL
 8115 - 9SS4FP25XFJS6-Ni-PFA

8120 - 9SS8FP38XFJS6-Z-V
 8121 - 9SS8FP38XFJS6-Z-AL
 8122 - 9SS8FP38XFJS6-Z-PFA
 8123 - 9SS8FP38XFJS6-Ni-V
 8124 - 9SS8FP38XFJS6-Ni-AL
 8125 - 9SS8FP38XFJS6-Ni-AL

8130 - 9SS8FP50XFJS8-Z-V
 8131 - 9SS8FP50XFJS8-Z-AL
 8132 - 9SS8FP50XFJS8-Z-PFA
 8133 - 9SS8FP50XFJS8-Ni-V
 8134 - 9SS8FP50XFJS8-Ni-AL
 8135 - 9SS8FP50XFJS8-Ni-PFA

8140 - 9SS8FP50XFJS10-Z-V
 8141 - 9SS8FP50XFJS10-Z-AL
 8142 - 9SS8FP50XFJS10-Z-PFA
 8143 - 9SS8FP50XFJS10-Ni-V
 8144 - 9SS8FP50XFJS10-Ni-AL
 8145 - 9SS8FP50XFJS10-Ni-PFA

8150 - 9SS12FP75XFJS12-Z-V
 8151 - 9SS12FP75XFJS12-Z-AL
 8152 - 9SS12FP75XFJS12-Z-PFA
 8153 - 9SS12FP75XFJS12-Ni-V
 8154 - 9SS12FP75XFJS12-Ni-AL
 8155 - 9SS12FP75XFJS12-Ni-PFA

8160 - 9SS16FP100XFJS16-Z-V
 8161 - 9SS16FP100XFJS16-Z-AL
 8162 - 9SS16FP100XFJS16-Z-PFA
 8163 - 9SS16FP100XFJS16-Ni-V
 8164 - 9SS16FP100XFJS16-Ni-AL
 8165 - 9SS16FP100XFJS16-Ni-PFA

8170 - 9SS20FP125XFJS20-Z-V
 8171 - 9SS20FP125XFJS20-Z-AL
 8172 - 9SS20FP125XFJS20-Z-PFA
 8173 - 9SS20FP125XFJS20-Ni-V
 8174 - 9SS20FP125XFJS20-Ni-AL
 8175 - 9SS20FP125XFJS20-Ni-PFA

8183 - 9SS24FP150XFJS24-Ni-V
 8184 - 9SS24FP150XFJS24-Ni-AL
 8185 - 9SS24FP150XFJS24-Ni-PFA

90° MALE PIPE (N.P.T.F.) X FEMALE (J.I.C.) SWIVEL NUT Page 41

8700 - 9SS4MP25XFJS4-Z-V
 8701 - 9SS4MP25XFJS4-Z-AL
 8702 - 9SS4MP25XFJS4-Z-PFA
 8703 - 9SS4MP25XFJS4-Ni-V
 8704 - 9SS4MP25XFJS4-Ni-AL
 8705 - 9SS4MP25XFJS4-Ni-PFA

8710 - 9SS4MP25XFJS6-Z-V
 8711 - 9SS4MP25XFJS6-Z-AL
 8712 - 9SS4MP25XFJS6-Z-PFA
 8713 - 9SS4MP25XFJS6-Ni-V
 8714 - 9SS4MP25XFJS6-Ni-AL
 8715 - 9SS4MP25XFJS6-Ni-PFA

ITEM DESCRIPTION

8720 - 9SS4MP38XFJS6-Z-V
 8721 - 9SS4MP38XFJS6-Z-AL
 8722 - 9SS4MP38XFJS6-Z-PFA
 8723 - 9SS4MP38XFJS6-Ni-V
 8724 - 9SS4MP38XFJS6-Ni-AL
 8725 - 9SS4MP38XFJS6-Ni-PFA

8730 - 9SS8MP50XFJS8-Z-V
 8731 - 9SS8MP50XFJS8-Z-AL
 8732 - 9SS8MP50XFJS8-Z-PFA
 8733 - 9SS8MP50XFJS8-Ni-V
 8734 - 9SS8MP50XFJS8-Ni-AL
 8735 - 9SS8MP50XFJS8-Ni-PFA

8740 - 9SS8MP50XFJS10-Z-V
 8741 - 9SS8MP50XFJS10-Z-AL
 8742 - 9SS8MP50XFJS10-Z-PFA
 8743 - 9SS8MP50XFJS10-Ni-V
 8744 - 9SS8MP50XFJS10-Ni-AL
 8745 - 9SS8MP50XFJS10-Ni-PFA

8750 - 9SS12MP75XFJS12-Z-V
 8751 - 9SS12MP75XFJS12-Z-AL
 8752 - 9SS12MP75XFJS12-Z-PFA
 8753 - 9SS12MP75XFJS12-Ni-V
 8754 - 9SS12MP75XFJS12-Ni-AL
 8755 - 9SS12MP75XFJS12-Ni-PFA

8760 - 9SS16MP100XFJS16-Z-V
 8761 - 9SS16MP100XFJS16-Z-AL
 8762 - 9SS16MP100XFJS16-Z-PFA
 8763 - 9SS16MP100XFJS16-Ni-V
 8764 - 9SS16MP100XFJS16-Ni-AL
 8765 - 9SS16MP100XFJS16-Ni-PFA

8770 - 9SS20MP125XFJS20-Z-V
 8771 - 9SS20MP125XFJS20-Z-AL
 8772 - 9SS20MP125XFJS20-Z-PFA
 8773 - 9SS20MP125XFJS20-Ni-V
 8774 - 9SS20MP125XFJS20-Ni-AL
 8775 - 9SS20MP125XFJS20-Ni-PFA

8783 - 9SS24MP150XFJS24-Ni-V
 8784 - 9SS24MP150XFJS24-Ni-AL
 8785 - 9SS24MP150XFJS24-Ni-PFA

90° MALE (O.R.B.) X FEMALE (J.I.C.) SWIVEL NUT Page 42

8800 - 9SS4MO4XFJS4-Z-V
 8801 - 9SS4MO4XFJS4-Z-AL
 8802 - 9SS4MO4XFJS4-Z-PFA
 8803 - 9SS4MO4XFJS4-Ni-V
 8804 - 9SS4MO4XFJS4-Ni-AL
 8805 - 9SS4MO4XFJS4-Ni-PFA

8810 - 9SS4MO6XFJS6-Z-V
 8811 - 9SS4MO6XFJS6-Z-AL
 8812 - 9SS4MO6XFJS6-Z-PFA
 8813 - 9SS4MO6XFJS6-Ni-V
 8814 - 9SS4MO6XFJS6-Ni-AL
 8815 - 9SS4MO6XFJS6-Ni-PFA

8820 - 9SS8MO8XFJS8-Z-V
 8821 - 9SS8MO8XFJS8-Z-AL
 8822 - 9SS8MO8XFJS8-Z-PFA
 8823 - 9SS8MO8XFJS8-Ni-V
 8824 - 9SS8MO8XFJS8-Ni-AL
 8825 - 9SS8MO8XFJS8-Ni-PFA

8830 - 9SS8MO10XFJS8-Z-V
 8831 - 9SS8MO10XFJS8-Z-AL
 8832 - 9SS8MO10XFJS8-Z-PFA
 8833 - 9SS8MO10XFJS8-Ni-V
 8834 - 9SS8MO10XFJS8-Ni-AL
 8835 - 9SS8MO10XFJS8-Ni-PFA

8840 - 9SS8MO8XFJS10-Z-V
 8841 - 9SS8MO8XFJS10-Z-AL
 8842 - 9SS8MO8XFJS10-Z-PFA
 8843 - 9SS8MO8XFJS10-Ni-V
 8844 - 9SS8MO8XFJS10-Ni-AL
 8845 - 9SS8MO8XFJS10-Ni-PFA

ITEM DESCRIPTION

- 8850 - 9SS8MO10XFJS10-Z-V
- 8851 - 9SS8MO10XFJS10-Z-AL
- 8852 - 9SS8MO10XFJS10-Z-PFA
- 8853 - 9SS8MO10XFJS10-NI-V
- 8854 - 9SS8MO10XFJS10-NI-AL
- 8855 - 9SS8MO10XFJS10-NI-PFA

- 8860 - 9SS12MO12XFJS12-Z-V
- 8861 - 9SS12MO12XFJS12-Z-AL
- 8862 - 9SS12MO12XFJS12-Z-PFA
- 8863 - 9SS12MO12XFJS12-NI-V
- 8864 - 9SS12MO12XFJS12-NI-AL
- 8865 - 9SS12MO12XFJS12-NI-PFA

- 8870 - 9SS16MO16XFJS16-Z-V
- 8871 - 9SS16MO16XFJS16-Z-AL
- 8872 - 9SS16MO16XFJS16-Z-PFA
- 8873 - 9SS16MO16XFJS16-NI-V
- 8874 - 9SS16MO16XFJS16-NI-AL
- 8875 - 9SS16MO16XFJS16-NI-PFA

- 8880 - 9SS20MO20XFJS20-Z-V
- 8881 - 9SS20MO20XFJS20-Z-AL
- 8882 - 9SS20MO20XFJS20-Z-PFA
- 8883 - 9SS20MO20XFJS20-NI-V
- 8884 - 9SS20MO20XFJS20-NI-AL
- 8885 - 9SS20MO20XFJS20-NI-PFA

- 8893 - 9SS24MO24XFJS24-NI-V
- 8894 - 9SS24MO24XFJS24-NI-AL
- 8895 - 9SS24MO24XFJS24-NI-PFA

90° MALE (J.I.C.) X FEMALE (J.I.C.) SWIVEL NUT Page 42

- 8900 - 9SS4MJ4XFJS4-Z-V
- 8901 - 9SS4MJ4XFJS4-Z-AL
- 8902 - 9SS4MJ4XFJS4-Z-PFA
- 8903 - 9SS4MJ4XFJS4-NI-V
- 8904 - 9SS4MJ4XFJS4-NI-AL
- 8905 - 9SS4MJ4XFJS4-NI-PFA

- 8910 - 9SS4MJ6XFJS6-Z-V
- 8911 - 9SS4MJ6XFJS6-Z-AL
- 8912 - 9SS4MJ6XFJS6-Z-PFA
- 8913 - 9SS4MJ6XFJS6-NI-V
- 8914 - 9SS4MJ6XFJS6-NI-AL
- 8915 - 9SS4MJ6XFJS6-NI-PFA

- 8920 - 9SS8MJ8XFJS8-Z-V
- 8921 - 9SS8MJ8XFJS8-Z-AL
- 8922 - 9SS8MJ8XFJS8-Z-PFA
- 8923 - 9SS8MJ8XFJS8-NI-V
- 8924 - 9SS8MJ8XFJS8-NI-AL
- 8925 - 9SS8MJ8XFJS8-NI-PFA

- 8930 - 9SS8MJ10XFJS8-Z-V
- 8931 - 9SS8MJ10XFJS8-Z-AL
- 8932 - 9SS8MJ10XFJS8-Z-PFA
- 8933 - 9SS8MJ10XFJS8-NI-V
- 8934 - 9SS8MJ10XFJS8-NI-AL
- 8935 - 9SS8MJ10XFJS8-NI-PFA

- 8940 - 9SS8MJ8XFJS10-Z-V
- 8941 - 9SS8MJ8XFJS10-Z-AL
- 8942 - 9SS8MJ8XFJS10-Z-PFA
- 8943 - 9SS8MJ8XFJS10-NI-V
- 8944 - 9SS8MJ8XFJS10-NI-AL
- 8945 - 9SS8MJ8XFJS10-NI-PFA

- 8950 - 9SS8MJ10XFJS10-Z-V
- 8951 - 9SS8MJ10XFJS10-Z-AL
- 8952 - 9SS8MJ10XFJS10-Z-PFA
- 8953 - 9SS8MJ10XFJS10-NI-V
- 8954 - 9SS8MJ10XFJS10-NI-AL
- 8955 - 9SS8MJ10XFJS10-NI-PFA

- 8960 - 9SS12MJ12XFJS12-Z-V
- 8961 - 9SS12MJ12XFJS12-Z-AL
- 8962 - 9SS12MJ12XFJS12-Z-PFA
- 8963 - 9SS12MJ12XFJS12-NI-V
- 8964 - 9SS12MJ12XFJS12-NI-AL
- 8965 - 9SS12MJ12XFJS12-NI-PFA

ITEM DESCRIPTION

- 8970 - 9SS16MJ16XFJS16-Z-V
- 8971 - 9SS16MJ16XFJS16-Z-AL
- 8972 - 9SS16MJ16XFJS16-Z-PFA
- 8973 - 9SS16MJ16XFJS16-NI-V
- 8974 - 9SS16MJ16XFJS16-NI-AL
- 8975 - 9SS16MJ16XFJS16-NI-PFA

- 8980 - 9SS20MJ20XFJS20-Z-V
- 8981 - 9SS20MJ20XFJS20-Z-AL
- 8982 - 9SS20MJ20XFJS20-Z-PFA
- 8983 - 9SS20MJ20XFJS20-NI-V
- 8984 - 9SS20MJ20XFJS20-NI-AL
- 8985 - 9SS20MJ20XFJS20-NI-PFA

- 8993 - 9SS24MJ24XFJS24-NI-V
- 8994 - 9SS24MJ24XFJS24-NI-AL
- 8995 - 9SS24MJ24XFJS24-NI-PFA

90° Dual Plane Female Pipe (N.P.T.F.) X Female Pipe (N.P.T.F.) Page 45

- DP5000 - 9DP4FP25XFP25-Z-V
- DP5001 - 9DP4FP25XFP25-Z-AL
- DP5002 - 9DP4FP25XFP25-Z-PFA
- DP5003 - 9DP4FP25XFP25-NI-V
- DP5004 - 9DP4FP25XFP25-NI-AL
- DP5005 - 9DP4FP25XFP25-NI-PFA

- DP5010 - 9DP8FP38XFP38-Z-V
- DP5011 - 9DP8FP38XFP38-Z-AL
- DP5012 - 9DP8FP38XFP38-Z-PFA
- DP5013 - 9DP8FP38XFP38-NI-V
- DP5014 - 9DP8FP38XFP38-NI-AL
- DP5015 - 9DP8FP38XFP38-NI-PFA

- DP5020 - 9DP8FP50XFP50-Z-V
- DP5021 - 9DP8FP50XFP50-Z-AL
- DP5022 - 9DP8FP50XFP50-Z-PFA
- DP5023 - 9DP8FP50XFP50-NI-V
- DP5024 - 9DP8FP50XFP50-NI-AL
- DP5025 - 9DP8FP50XFP50-NI-PFA

- DP5030 - 9DP12FP75XFP75-Z-V
- DP5031 - 9DP12FP75XFP75-Z-AL
- DP5032 - 9DP12FP75XFP75-Z-PFA
- DP5033 - 9DP12FP75XFP75-NI-V
- DP5034 - 9DP12FP75XFP75-NI-AL
- DP5035 - 9DP12FP75XFP75-NI-PFA

- DP5040 - 9DP16FP100XFP100-Z-V
- DP5041 - 9DP16FP100XFP100-Z-AL
- DP5042 - 9DP16FP100XFP100-Z-PFA
- DP5043 - 9DP16FP100XFP100-NI-V
- DP5044 - 9DP16FP100XFP100-NI-AL
- DP5045 - 9DP16FP100XFP100-NI-PFA

- DP5050 - 9DP20FP125XFP125-Z-V
- DP5051 - 9DP20FP125XFP125-Z-AL
- DP5052 - 9DP20FP125XFP125-Z-PFA
- DP5053 - 9DP20FP125XFP125-NI-V
- DP5054 - 9DP20FP125XFP125-NI-AL
- DP5055 - 9DP20FP125XFP125-NI-PFA

- DP5063 - 9DP24FP150XFP150-NI-V
- DP5064 - 9DP24FP150XFP150-NI-AL
- DP5065 - 9DP24FP150XFP150-NI-PFA

90° Dual Plane Male Pipe (N.P.T.F.) X Female Pipe (N.P.T.F.) Page 45

- DP5100 - 9DP4MP25XFP25-Z-V
- DP5101 - 9DP4MP25XFP25-Z-AL
- DP5102 - 9DP4MP25XFP25-Z-PFA
- DP5103 - 9DP4MP25XFP25-NI-V
- DP5104 - 9DP4MP25XFP25-NI-AL
- DP5105 - 9DP4MP25XFP25-NI-PFA

- DP5110 - 9DP8MP38XFP38-Z-V
- DP5111 - 9DP8MP38XFP38-Z-AL
- DP5112 - 9DP8MP38XFP38-Z-PFA
- DP5113 - 9DP8MP38XFP38-NI-V
- DP5114 - 9DP8MP38XFP38-NI-AL
- DP5115 - 9DP8MP38XFP38-NI-PFA

ITEM DESCRIPTION

- DP5120 - 9DP8MP50XFP50-Z-V
- DP5121 - 9DP8MP50XFP50-Z-AL
- DP5122 - 9DP8MP50XFP50-Z-PFA
- DP5123 - 9DP8MP50XFP50-NI-V
- DP5124 - 9DP8MP50XFP50-NI-AL
- DP5125 - 9DP8MP50XFP50-NI-PFA

- DP5130 - 9DP12MP75XFP75-Z-V
- DP5131 - 9DP12MP75XFP75-Z-AL
- DP5132 - 9DP12MP75XFP75-Z-PFA
- DP5133 - 9DP12MP75XFP75-NI-V
- DP5134 - 9DP12MP75XFP75-NI-AL
- DP5135 - 9DP12MP75XFP75-NI-PFA

- DP5140 - 9DP16MP100XFP100-Z-V
- DP5141 - 9DP16MP100XFP100-Z-AL
- DP5142 - 9DP16MP100XFP100-Z-PFA
- DP5143 - 9DP16MP100XFP100-NI-V
- DP5144 - 9DP16MP100XFP100-NI-AL
- DP5145 - 9DP16MP100XFP100-NI-PFA

- DP5150 - 9DP20MP125XFP125-Z-V
- DP5151 - 9DP20MP125XFP125-Z-AL
- DP5152 - 9DP20MP125XFP125-Z-PFA
- DP5153 - 9DP20MP125XFP125-NI-V
- DP5154 - 9DP20MP125XFP125-NI-AL
- DP5155 - 9DP20MP125XFP125-NI-PFA

- DP5163 - 9DP24MP150XFP150-NI-V
- DP5164 - 9DP24MP150XFP150-NI-AL
- DP5165 - 9DP24MP150XFP150-NI-PFA

90° Dual Plane Male Pipe (N.P.T.F.) X Male (J.I.C.) Page 47

- DP6800 - 9DP4MP25XMJ6-Z-V
- DP6801 - 9DP4MP25XMJ6-Z-AL
- DP6802 - 9DP4MP25XMJ6-Z-PFA
- DP6803 - 9DP4MP25XMJ6-NI-V
- DP6804 - 9DP4MP25XMJ6-NI-AL
- DP6805 - 9DP4MP25XMJ6-NI-PFA

- DP6810 - 9DP8MP38XMJ8-Z-V
- DP6811 - 9DP8MP38XMJ8-Z-AL
- DP6812 - 9DP8MP38XMJ8-Z-PFA
- DP6813 - 9DP8MP38XMJ8-NI-V
- DP6814 - 9DP8MP38XMJ8-NI-AL
- DP6815 - 9DP8MP38XMJ8-NI-PFA

- DP6820 - 9DP8MP50XMJ8-Z-V
- DP6821 - 9DP8MP50XMJ8-Z-AL
- DP6822 - 9DP8MP50XMJ8-Z-PFA
- DP6823 - 9DP8MP50XMJ8-NI-V
- DP6824 - 9DP8MP50XMJ8-NI-AL
- DP6825 - 9DP8MP50XMJ8-NI-PFA

- DP6830 - 9DP8MP50XMJ10-Z-V
- DP6831 - 9DP8MP50XMJ10-Z-AL
- DP6832 - 9DP8MP50XMJ10-Z-PFA
- DP6833 - 9DP8MP50XMJ10-NI-V
- DP6834 - 9DP8MP50XMJ10-NI-AL
- DP6835 - 9DP8MP50XMJ10-NI-PFA

- DP6840 - 9DP12MP75XMJ12-Z-V
- DP6841 - 9DP12MP75XMJ12-Z-AL
- DP6842 - 9DP12MP75XMJ12-Z-PFA
- DP6843 - 9DP12MP75XMJ12-NI-V
- DP6844 - 9DP12MP75XMJ12-NI-AL
- DP6845 - 9DP12MP75XMJ12-NI-PFA

- DP6850 - 9DP16MP100XMJ16-Z-V
- DP6851 - 9DP16MP100XMJ16-Z-AL
- DP6852 - 9DP16MP100XMJ16-Z-PFA
- DP6853 - 9DP16MP100XMJ16-NI-V
- DP6854 - 9DP16MP100XMJ16-NI-AL
- DP6855 - 9DP16MP100XMJ16-NI-PFA

- DP6860 - 9DP20MP125XMJ20-Z-V
- DP6861 - 9DP20MP125XMJ20-Z-AL
- DP6862 - 9DP20MP125XMJ20-Z-PFA
- DP6863 - 9DP20MP125XMJ20-NI-V
- DP6864 - 9DP20MP125XMJ20-NI-AL
- DP6865 - 9DP20MP125XMJ20-NI-PFA

ITEM DESCRIPTION

- DP6873 - 9DP24MP150XMJ24-NI-V
- DP6874 - 9DP24MP150XMJ24-NI-AL
- DP6875 - 9DP24MP150XMJ24-NI-PFA

- DP6880 - 9DP4MP38XMJ6-Z-V
- DP6881 - 9DP4MP38XMJ6-Z-AL
- DP6882 - 9DP4MP38XMJ6-Z-PFA
- DP6883 - 9DP4MP38XMJ6-NI-V
- DP6884 - 9DP4MP38XMJ6-NI-AL
- DP6885 - 9DP4MP38XMJ6-NI-PFA

- DP6890 - 9DP4MP25XMJ4-Z-V
- DP6891 - 9DP4MP25XMJ4-Z-AL
- DP6892 - 9DP4MP25XMJ4-Z-PFA
- DP6893 - 9DP4MP25XMJ4-NI-V
- DP6894 - 9DP4MP25XMJ4-NI-AL
- DP6895 - 9DP4MP25XMJ4-NI-PFA

90° Dual Plane Male (O.R.B.) X Male (J.I.C.) Page 46

- DP6900 - 9DP4MO6XMJ6-Z-V
- DP6901 - 9DP4MO6XMJ6-Z-AL
- DP6902 - 9DP4MO6XMJ6-Z-PFA
- DP6903 - 9DP4MO6XMJ6-NI-V
- DP6904 - 9DP4MO6XMJ6-NI-AL
- DP6905 - 9DP4MO6XMJ6-NI-PFA

- DP6910 - 9DP8MO8XMJ8-Z-V
- DP6911 - 9DP8MO8XMJ8-Z-AL
- DP6912 - 9DP8MO8XMJ8-Z-PFA
- DP6913 - 9DP8MO8XMJ8-NI-V
- DP6914 - 9DP8MO8XMJ8-NI-AL
- DP6915 - 9DP8MO8XMJ8-NI-PFA

- DP6920 - 9DP8MO10XMJ10-Z-V
- DP6921 - 9DP8MO10XMJ10-Z-AL
- DP6922 - 9DP8MO10XMJ10-Z-PFA
- DP6923 - 9DP8MO10XMJ10-NI-V
- DP6924 - 9DP8MO10XMJ10-NI-AL
- DP6925 - 9DP8MO10XMJ10-NI-PFA

- DP6930 - 9DP12MO12XMJ12-Z-V
- DP6931 - 9DP12MO12XMJ12-Z-AL
- DP6932 - 9DP12MO12XMJ12-Z-PFA
- DP6933 - 9DP12MO12XMJ12-NI-V
- DP6934 - 9DP12MO12XMJ12-NI-AL
- DP6935 - 9DP12MO12XMJ12-NI-PFA

- DP6940 - 9DP16MO16XMJ16-Z-V
- DP6941 - 9DP16MO16XMJ16-Z-AL
- DP6942 - 9DP16MO16XMJ16-Z-PFA
- DP6943 - 9DP16MO16XMJ16-NI-V
- DP6944 - 9DP16MO16XMJ16-NI-AL
- DP6945 - 9DP16MO16XMJ16-NI-PFA

- DP6950 - 9DP20MO20XMJ20-Z-V
- DP6951 - 9DP20MO20XMJ20-Z-AL
- DP6952 - 9DP20MO20XMJ20-Z-PFA
- DP6953 - 9DP20MO20XMJ20-NI-V
- DP6954 - 9DP20MO20XMJ20-NI-AL
- DP6955 - 9DP20MO20XMJ20-NI-PFA

- DP6963 - 9DP24MO24XMJ24-NI-V
- DP6964 - 9DP24MO24XMJ24-NI-AL
- DP6965 - 9DP24MO24XMJ24-NI-PFA

- DP6970 - 9DP4MO4XMJ4-Z-V
- DP6971 - 9DP4MO4XMJ4-Z-AL
- DP6972 - 9DP4MO4XMJ4-Z-PFA
- DP6973 - 9DP4MO4XMJ4-NI-V
- DP6974 - 9DP4MO4XMJ4-NI-AL
- DP6975 - 9DP4MO4XMJ4-NI-PFA

90° Dual Plane Male (J.I.C.) X Male (J.I.C.) Page 47

- DP7000 - 9DP4MJ6XMJ6-Z-V
- DP7001 - 9DP4MJ6XMJ6-Z-AL
- DP7002 - 9DP4MJ6XMJ6-Z-PFA
- DP7003 - 9DP4MJ6XMJ6-NI-V
- DP7004 - 9DP4MJ6XMJ6-NI-AL
- DP7005 - 9DP4MJ6XMJ6-NI-PFA

ITEM DESCRIPTION

DP7010 - 9DP8MJ8XMJ8-Z-V
 DP7011 - 9DP8MJ8XMJ8-Z-AL
 DP7012 - 9DP8MJ8XMJ8-Z-PFA
 DP7013 - 9DP8MJ8XMJ8-NI-V
 DP7014 - 9DP8MJ8XMJ8-NI-AL
 DP7015 - 9DP8MJ8XMJ8-NI-PFA

DP7020 - 9DP8MJ10XMJ10-Z-V
 DP7021 - 9DP8MJ10XMJ10-Z-AL
 DP7022 - 9DP8MJ10XMJ10-Z-PFA
 DP7023 - 9DP8MJ10XMJ10-NI-V
 DP7024 - 9DP8MJ10XMJ10-NI-AL
 DP7025 - 9DP8MJ10XMJ10-NI-PFA

DP7030 - 9DP12MJ12XMJ12-Z-V
 DP7031 - 9DP12MJ12XMJ12-Z-AL
 DP7032 - 9DP12MJ12XMJ12-Z-PFA
 DP7033 - 9DP12MJ12XMJ12-NI-V
 DP7034 - 9DP12MJ12XMJ12-NI-AL
 DP7035 - 9DP12MJ12XMJ12-NI-PFA

DP7040 - 9DP16MJ16XMJ16-Z-V
 DP7041 - 9DP16MJ16XMJ16-Z-AL
 DP7042 - 9DP16MJ16XMJ16-Z-PFA
 DP7043 - 9DP16MJ16XMJ16-NI-V
 DP7044 - 9DP16MJ16XMJ16-NI-AL
 DP7045 - 9DP16MJ16XMJ16-NI-PFA

DP7050 - 9DP20MJ20XMJ20-Z-V
 DP7051 - 9DP20MJ20XMJ20-Z-AL
 DP7052 - 9DP20MJ20XMJ20-Z-PFA
 DP7053 - 9DP20MJ20XMJ20-NI-V
 DP7054 - 9DP20MJ20XMJ20-NI-AL
 DP7055 - 9DP20MJ20XMJ20-NI-PFA

DP7063 - 9DP24MJ24XMJ24-NI-V
 DP7064 - 9DP24MJ24XMJ24-NI-AL
 DP7065 - 9DP24MJ24XMJ24-NI-PFA

DP7070 - 9DP4MJ4XMJ4-Z-V
 DP7071 - 9DP4MJ4XMJ4-Z-AL
 DP7072 - 9DP4MJ4XMJ4-Z-PFA
 DP7073 - 9DP4MJ4XMJ4-NI-V
 DP7074 - 9DP4MJ4XMJ4-NI-AL
 DP7075 - 9DP4MJ4XMJ4-NI-PFA

**90° Dual Plane
 Male Face Seal (M.F.S.)
 X Male Face Seal (M.F.S.) Page 48**

DP7600 - 9DP4MFS6XMFS6-Z-V
 DP7601 - 9DP4MFS6XMFS6-Z-AL
 DP7602 - 9DP4MFS6XMFS6-Z-PFA
 DP7603 - 9DP4MFS6XMFS6-NI-V
 DP7604 - 9DP4MFS6XMFS6-NI-AL
 DP7605 - 9DP4MFS6XMFS6-NI-PFA

ITEM DESCRIPTION

DP7610 - 9DP8MFS8XMFS8-Z-V
 DP7611 - 9DP8MFS8XMFS8-Z-AL
 DP7612 - 9DP8MFS8XMFS8-Z-PFA
 DP7613 - 9DP8MFS8XMFS8-NI-V
 DP7614 - 9DP8MFS8XMFS8-NI-AL
 DP7615 - 9DP8MFS8XMFS8-NI-PFA

DP7620 - 9DP8MFS10XMFS10-Z-V
 DP7621 - 9DP8MFS10XMFS10-Z-AL
 DP7622 - 9DP8MFS10XMFS10-Z-PFA
 DP7623 - 9DP8MFS10XMFS10-NI-V
 DP7624 - 9DP8MFS10XMFS10-NI-AL
 DP7625 - 9DP8MFS10XMFS10-NI-PFA

DP7630 - 9DP12MFS12XMFS12-Z-V
 DP7631 - 9DP12MFS12XMFS12-Z-AL
 DP7632 - 9DP12MFS12XMFS12-Z-PFA

DP7633 - 9DP12MFS12XMFS12-NI-V
 DP7634 - 9DP12MFS12XMFS12-NI-AL
 DP7635 - 9DP12MFS12XMFS12-NI-PFA

DP7640 - 9DP16MFS16XMFS16-Z-V
 DP7641 - 9DP16MFS16XMFS16-Z-AL
 DP7642 - 9DP16MFS16XMFS16-Z-PFA
 DP7643 - 9DP16MFS16XMFS16-NI-V
 DP7644 - 9DP16MFS16XMFS16-NI-AL
 DP7645 - 9DP16MFS16XMFS16-NI-PFA

DP7650 - 9DP20MFS20XMFS20-Z-V
 DP7651 - 9DP20MFS20XMFS20-Z-AL
 DP7652 - 9DP20MFS20XMFS20-Z-PFA

DP7653 - 9DP20MFS20XMFS20-NI-V
 DP7654 - 9DP20MFS20XMFS20-NI-AL
 DP7655 - 9DP20MFS20XMFS20-NI-PFA

DP7663 - 9DP24MFS24XMFS24-NI-V
 DP7664 - 9DP24MFS24XMFS24-NI-AL
 DP7665 - 9DP24MFS24XMFS24-NI-PFA

**90° Dual Plane
 Male (O.R.B.)
 X Male Face Seal (M.F.S.) Page 46**

DP8600 - 9DP4MO6XMFS6-Z-V
 DP8601 - 9DP4MO6XMFS6-Z-AL
 DP8602 - 9DP4MO6XMFS6-Z-PFA
 DP8603 - 9DP4MO6XMFS6-NI-V
 DP8604 - 9DP4MO6XMFS6-NI-AL
 DP8605 - 9DP4MO6XMFS6-NI-PFA

DP8620 - 9DP8MO8XMFS8-Z-V
 DP8621 - 9DP8MO8XMFS8-Z-AL

ITEM DESCRIPTION

DP8622 - 9DP8MO8XMFS8-Z-PFA
 DP8623 - 9DP8MO8XMFS8-NI-V
 DP8624 - 9DP8MO8XMFS8-NI-AL
 DP8625 - 9DP8MO8XMFS8-NI-PFA

DP8650 - 9DP8MO10XMFS10-Z-V
 DP8651 - 9DP8MO10XMFS10-Z-AL
 DP8652 - 9DP8MO10XMFS10-Z-PFA
 DP8653 - 9DP8MO10XMFS10-NI-V
 DP8654 - 9DP8MO10XMFS10-NI-AL
 DP8655 - 9DP8MO10XMFS10-NI-PFA

DP8660 - 9DP12MO12XMFS12-Z-V
 DP8661 - 9DP12MO12XMFS12-Z-AL
 DP8662 - 9DP12MO12XMFS12-Z-PFA
 DP8663 - 9DP12MO12XMFS12-NI-V
 DP8664 - 9DP12MO12XMFS12-NI-AL
 DP8665 - 9DP12MO12XMFS12-NI-PFA

DP8670 - 9DP16MO16XMFS16-Z-V
 DP8671 - 9DP16MO16XMFS16-Z-AL
 DP8672 - 9DP16MO16XMFS16-Z-PFA
 DP8673 - 9DP16MO16XMFS16-NI-V
 DP8674 - 9DP16MO16XMFS16-NI-AL
 DP8675 - 9DP16MO16XMFS16-NI-PFA

DP8680 - 9DP20MO20XMFS20-Z-V
 DP8681 - 9DP20MO20XMFS20-Z-AL
 DP8682 - 9DP20MO20XMFS20-Z-PFA
 DP8683 - 9DP20MO20XMFS20-NI-V
 DP8684 - 9DP20MO20XMFS20-NI-AL
 DP8685 - 9DP20MO20XMFS20-NI-PFA

DP8693 - 9DP24MO24XMFS24-NI-V
 DP8694 - 9DP24MO24XMFS24-NI-AL
 DP8695 - 9DP24MO24XMFS24-NI-PFA

**Inline Female BSPP
 X Female BSPP Page 50**

60000 - SS4FBSPP4XFBSP4-Z-V
 60001 - SS4FBSPP4XFBSP4-Z-AL
 60200 - SS6FBSPP6XFBSP6-Z-V
 60201 - SS6FBSPP6XFBSP6-Z-AL
 60300 - SS8DBFBSPP8XFBSP8-Z-V
 60301 - SS8DBFBSPP8XFBSP8-Z-AL
 60500 - SS12DBFBSPP12XBSPP12-Z-V
 60501 - SS12DBFBSPP12XBSPP12-Z-AL
 60600 - SS16DBFBSPP16XFBSP16-Z-V
 60601 - SS16DBFBSPP16XFBSP16-Z-AL
 60700 - SS20FBSPP20XFBSP20-Z-V
 60701 - SS20FBSPP20XFBSP20-Z-AL
 60803 - SS24FBSPP24XFBSP24-NI-V
 60804 - SS24FBSPP24XFBSP24-NI-AL

ITEM DESCRIPTION

**Inline Male BSPP
 X Female BSPP Page 50**

50000 - SS4MBSPP4XFBSP4-Z-V
 50001 - SS4MBSPP4XFBSP4-Z-AL
 50200 - SS6MBSPP6XFBSP6-Z-V
 50201 - SS6MBSPP6XFBSP6-Z-AL
 50300 - SS8DBMBSPP8XFBSP8-Z-V
 50301 - SS8DBMBSPP8XFBSP8-Z-AL
 50500 - SS12DBMBSPP12XFBSP12-Z-V
 50501 - SS12DBMBSPP12XFBSP12-Z-AL
 50600 - SS16DBMBSPP16XFBSP16-Z-V
 50601 - SS16DBMBSPP16XFBSP16-Z-AL
 50700 - SS20MBSPP20XFBSP20-Z-V
 50701 - SS20MBSPP20XFBSP20-Z-AL
 50803 - SS24MBSPP24XFBSP24-NI-V
 50804 - SS24MBSPP24XFBSP24-NI-AL

**90° Female BSPP
 X Female BSPP Page 51**

30000 - 9SS4FBSPP4XFBSP4-Z-V
 30001 - 9SS4FBSPP4XFBSP4-Z-AL
 30200 - 9SS6FBSPP6XFBSP6-Z-V
 30201 - 9SS6FBSPP6XFBSP6-Z-AL
 30300 - 9SS8DBFBSPP8XFBSP8-Z-V
 30301 - 9SS8DBFBSPP8XFBSP8-Z-AL
 30500 - 9SS12DBFBSPP12XBSPP12-Z-V
 30501 - 9SS12DBFBSPP12XBSPP12-Z-AL
 30600 - 9SS16DBFBSPP16XFBSP16-Z-V
 30601 - 9SS16DBFBSPP16XFBSP16-Z-AL
 30700 - 9SS20FBSPP20XFBSP20-Z-V
 30701 - 9SS20FBSPP20XFBSP20-Z-AL
 30803 - 9SS24FBSPP24XFBSP24-NI-V
 30804 - 9SS24FBSPP24XFBSP24-NI-AL

**90° Male BSPP
 X Female BSPP Page 51**

40000 - 9SS4MBSPP4XFBSP4-Z-V
 40001 - 9SS4MBSPP4XFBSP4-Z-AL
 40200 - 9SS6MBSPP6XFBSP6-Z-V
 40201 - 9SS6MBSPP6XFBSP6-Z-AL
 40300 - 9SS8DBMBSPP8XFBSP8-Z-V
 40301 - 9SS8DBMBSPP8XFBSP8-Z-AL
 40500 - 9SS12DBMBSPP12XBSPP12-Z-V
 40501 - 9SS12DBMBSPP12XBSPP12-Z-AL
 40600 - 9SS16DBMBSPP16XFBSP16-Z-V
 40601 - 9SS16DBMBSPP16XFBSP16-Z-AL
 40700 - 9SS20MBSPP20XFBSP20-Z-V
 40701 - 9SS20MBSPP20XFBSP20-Z-AL
 40803 - 9SS24MBSPP24XFBSP24-NI-V
 40804 - 9SS24MBSPP24XFBSP24-NI-AL

Competitors Cross Reference Guides

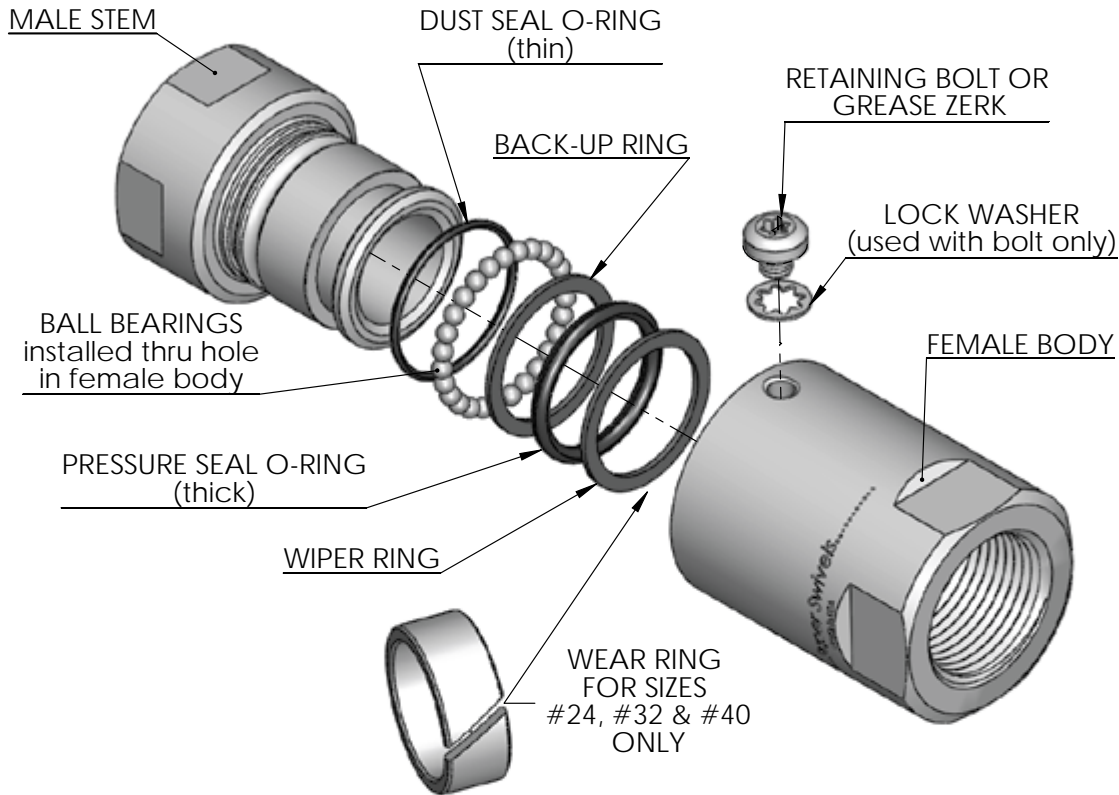
Below is part of a Competitors Cross Reference Guide which is available on our web site to download and refer to when making order selections.

| ITEM # | S S DESCRIPTION | AEROQUIP | HYDRAULICS INC. | PARKER (PS) | SWIVEL TYPE |
|--------|-----------------------|--------------|-----------------|-----------------|-------------------------------|
| 6430 | 9SS8MO10XPS50-Z-V | BD5004-0810 | 9S8PU8-O10 | | 90° MALE O-RING X PIPE SWIVEL |
| 6300 | 9SS4MP25XPS25-Z-V | BD55000-0404 | 9S6PU4-P4 | PS490107-4-4 | 90° MALE PIPE X PIPE SWIVEL |
| 6310 | 9SS8MP38XPS38-Z-V | BD55000-0606 | 9S6PU6-P6 | PS690107-6-6 | 90° MALE PIPE X PIPE SWIVEL |
| 6320 | 9SS8MP50XPS50-Z-V | BD55000-0808 | 9S8OU8-P8 | PS890107-8-8 | 90° MALE PIPE X PIPE SWIVEL |
| 6330 | 9SS12MP75XPS75-Z-V | BD55000-1212 | 9S12PU12-P12 | PS1290107-12-12 | 90° MALE PIPE X PIPE SWIVEL |
| 6340 | 9SS16MP100XPS100-Z-V | BD55000-1616 | 9S16PU16-P16 | PS1290107-16-16 | 90° MALE PIPE X PIPE SWIVEL |
| 6350 | 9SS20MP125XPS125-Z-V | BD55000-2020 | 9S20PU20-P20 | | 90° MALE PIPE X PIPE SWIVEL |
| 6393 | 9SS24MP150XPS150-Ni-V | BD55000-2424 | 9S24PU24-P24 | | 90° MALE PIPE X PIPE SWIVEL |
| 6570 | 9SS4MJ6XPS38-Z-V | BD55001-0606 | 9S6PU6-J6 | PS690307-6-6 | 90° MALE JIC X PIPE SWIVEL |
| 6510 | 9SS8MJ8XPS38-Z-V | BD55001-0608 | 9S6PU6-J8 | | 90° MALE JIC X PIPE SWIVEL |
| 6520 | 9SS8MJ8XPS50-Z-V | BD55001-0808 | | PS890307-8-8 | 90° MALE JIC X PIPE SWIVEL |
| 6530 | 9SS8MJ10XPS50-Z-V | BD55001-0810 | 9S8PU8-J10 | | 90° MALE JIC X PIPE SWIVEL |
| 6540 | 9SS12MJ12XPS75-Z-V | BD55001-1212 | 9S12PU12-J12 | PS1290307-12-12 | 90° MALE JIC X PIPE SWIVEL |
| 6550 | 9SS16MJ16XPS100-Z-V | BD55001-1616 | 9S16PU16-J16 | PS1690307-16-16 | 90° MALE JIC X PIPE SWIVEL |
| 6560 | 9SS20MJ20XPS125-Z-V | BD55001-2020 | 9S20PU20-J20 | | 90° MALE JIC X PIPE SWIVEL |
| 6410 | 9SS8MO8XPS38-Z-V | BD55004-0608 | 9S6PU6-O8 | | 90° MALE O-RING X PIPE SWIVEL |
| 6420 | 9SS8MO8XPS50-Z-V | BD55004-0808 | | PS890507-8-8 | 90° MALE O-RING X PIPE SWIVEL |
| 6440 | 9SS12MO12XPS75-Z-V | BD55004-1212 | 9S12PU12-O12 | PS1290507-12-12 | 90° MALE O-RING X PIPE SWIVEL |
| 6450 | 9SS16MO16XPS100-Z-V | BD55004-1616 | 9S16PU16-O16 | PS1690507-16-16 | 90° MALE O-RING X PIPE SWIVEL |
| 6460 | 9SS20MO20XPS125-Z-V | BD55004-2020 | 9S20PU20-O20 | | 90° MALE O-RING X PIPE SWIVEL |
| 6483 | 9SS24MO24XPS150-Ni-V | BD55004-2424 | 9S24PU24-O24 | | 90° MALE O-RING X PIPE SWIVEL |
| 6870 | 9SS4MP38XMJ6-Z-V | BD55005-0606 | 9S6J6-P6 | | 90° MALE PIPE X MALE JIC |
| 6810 | 9SS8MP38XMJ8-Z-V | BD55005-0806 | 9S6J8-P6 | | 90° MALE PIPE X MALE JIC |
| 6820 | 9SS8MP50XMJ8-Z-V | BD55005-0808 | | PS890103-8-8 | 90° MALE PIPE X MALE JIC |
| 6830 | 9SS8MP50XMJ10-Z-V | BD55005-1008 | 9S8J10-P8 | | 90° MALE PIPE X MALE JIC |
| 6840 | 9SS12MP75XMJ12-Z-V | BD55005-1212 | 9S12J12-P12 | PS1290103-12-12 | 90° MALE PIPE X MALE JIC |
| 6850 | 9SS16MP100XMJ16-Z-V | BD55005-1616 | 9S16J16-P16 | PS1690103-16-16 | 90° MALE PIPE X MALE JIC |
| 6860 | 9SS20MP125XMJ20-Z-V | BD55005-2020 | 9S20J20-P20 | | 90° MALE PIPE X MALE JIC |
| 6883 | 9SS24MP150XMJ24-Ni-V | BD55005-2424 | 9S24J24-P24 | | 90° MALE PIPE X MALE JIC |
| 7000 | 9SS4MJ6XMJ6-Z-V | BD55009-0606 | 9S6J6-J6 | PS690302-6-6 | 90° MALE JIC X MALE JIC |
| 7010 | 9SS8MJ8XMJ8-Z-V | BD55009-0808 | 9S6J8-J8 | PS890302-8-8 | 90° MALE JIC X MALE JIC |
| 7020 | 9SS8MJ10XMJ10-Z-V | BD55009-1010 | 9S8J10-J10 | PS890302-10-10 | 90° MALE JIC X MALE JIC |
| 7030 | 9SS12MJ12XMJ12-Z-V | BD55009-1212 | 9S12J12-J12 | PS1290302-12-12 | 90° MALE JIC X MALE JIC |
| 7040 | 9SS16MJ16XMJ16-Z-V | BD55009-1616 | 9S16J16-J16 | PS1690302-16-16 | 90° MALE JIC X MALE JIC |
| 7050 | 9SS20MJ20XMJ20-Z-V | BD55009-2020 | 9S20J20-J20 | | 90° MALE JIC X MALE JIC |
| 7063 | 9SS24MJ24XMJ24-Ni-V | BD55009-2424 | 9S24J24-J24 | | 90° MALE JIC X MALE JIC |

This Partial Cross Reference Refers To End Configurations Only !
Consult Catalogs For Pressure Ratings, Dimensions, Seals, Plating, Ect.

Above is a sample of a cross reference. Full listings available on web site: www.SuperSwivels.com

Hydraulic Inline and 90° Live Swivels Seal Rebuilding Kit Instructions



1. Remove retaining bolt or grease zerk (some models have a permanent grease zerk).
2. Wash swivel in solvent and rotate while immersed to remove grease from the ball bearing groove.
3. Remove ball bearings by rotating swivel with ball loading hole pointed downward. If remaining grease in ball groove prevents balls from falling free when centered over loading hole, tap swivel on work bench with loading hole facing down on bench.
4. With all ball bearings removed (check by rotating while looking into ball loading hole), pull the two halves apart and discard old rings, ball bearings and seals.
5. Clean and dry swivel thoroughly, install new seal and wear rings when required, and lubricate the female bore and male outside diameter before assembly. Load retainer ball bearings and install grease zerk (a temporary zerk is provided for models with a retaining bolt). Use lithium based grease with moly (do not over grease).

Note: The temporary grease zerk must be removed and replaced with the original retaining bolt and new lock washer on swivels which didn't originally have a permanent grease zerk.

Switch Your Swivel![®]



WARRANTY & LIMITATION OF LIABILITY

Super Swivels® products are warranted for a period of twelve (12) months from date of shipment from seller's plant to be free from defects in material and workmanship under correct use, normal operating conditions, and proper application.

CAR WASH / CORROSIVE MEDIA APPLICATIONS. SEALS WILL BE WARRANTED FOR SIX (6) MONTHS WHEN USED WITH FRESH, CLEAN, SOFT, FLUIDS WITH A ph BETWEEN 8 -11.5. SEALS WILL BE WARRANTED FOR THREE (3) MONTHS WHEN USED WITH ANY RECLAIMED FLUIDS. MINIMUM FILTRATION REQUIREMENTS, 10 MICRONS. WARRANTY VOIDED IF SPECIFIED R.P.M. EXCEEDED.

Seller's obligation under this warranty shall be limited to the repair or exchange, at seller's option, F.O.B. seller's factory, of any Super Swivels® product or part which proves to be defective as provided herein. Seller reserves the right to either inspect the product at buyer's location or require it to be returned to the factory for inspection. The above warranty does not extend to goods damaged, or subjected to accident, abuse, or misuse after shipment from seller's factory, nor to goods altered or repaired by anyone other than authorized Super Swivels® representatives.

SELLER MAKES NO EXPRESS WARRANTIES OTHER THAN THOSE WHICH ARE SPECIFICALLY DESCRIBED HEREIN. Any description of the goods sold hereunder, including any references to buyer's specifications and any descriptions in catalogs, circulars and other written material published by Seller is for the sole purpose of identifying such goods and shall not create an express warranty that the goods shall conform to such description. Any sample or model is for illustrative purposes only and shall not create any express warranty that the goods shall conform to the sample or model. BUYER IS SOLELY RESPONSIBLE FOR DETERMINING THE SUITABILITY OF GOODS SOLD HEREUNDER FOR USE BY BUYER.

THE SUITABILITY OF GOODS SOLD HEREUNDER FOR USE BY BUYER. THIS WARRANTY IS EXPRESSLY IN LIEU OF ALL OTHER WARRANTIES EXPRESSED OR IMPLIED. THERE ARE NO IMPLIED WARRANTIES OF MERCHANTABILITY OR FITNESS FOR A PARTICULAR PURPOSE. THIS WARRANTY STATES SELLERS ENTIRE AND EXCLUSIVE LIABILITY AND BUYERS EXCLUSIVE REMEDY FOR ANY CLAIM FOR DAMAGES IN CONNECTION WITH THE SALE OF FURNISHINGS OF SUPER SWIVELS® PRODUCTS, THEIR DESIGN, SUITABILITY FOR USE, INSTALLATION OR OPERATION, OR FOR ANY CLAIMED DEFECTS HEREIN. SELLER WILL IN NO EVENT BE LIABLE FOR ANY INCIDENTAL OR CONSEQUENTIAL DAMAGES WHATSOEVER, NOR FOR ANY SUM IN EXCESS OF THE PRICE RECEIVED FOR THE GOODS FOR WHICH LIABILITY IS CLAIMED.

SUPER SWIVELS® ARE NOT DESIGNED FOR AND SHOULD NOT BE USED AS A STRUCTURAL OR LOAD BEARING COMPONENT. ALL DIMENSIONAL INFORMATION SUBJECT TO CHANGE WITHOUT NOTICE.



Super Swivels®

Switch Your Swivel!



Inline & 90° Hydraulic Live Swivels

- Available In Sizes From 1/8" Through 2 1/2"
- Rated To 10,000 P.S.I.
- Heat Treated
- Rebuilding Kits Available
- Superior Quality Alloy Steel
- Withstands Heavy Side Loads
- Full Flow — Low Pressure Drop
- Burnished (Micro Smooth) Barrel Bores
- Chrome Or Stainless Steel Ball Bearings
- Viton®, Aflas®, Simriz®, Buna, Or EPDM Seals
- **Available in 304 & 440c Stainless Steel** (pipe thread only)



Quality Products Made In The U.S.A., Patent No. 5547233

Super Swivels • 7917 Beech Street NE • Minneapolis, MN 55432-1762

www.SuperSwivels.com

Email: sales@superswivels.com

763-784-5531

Fax: 763-784-7423